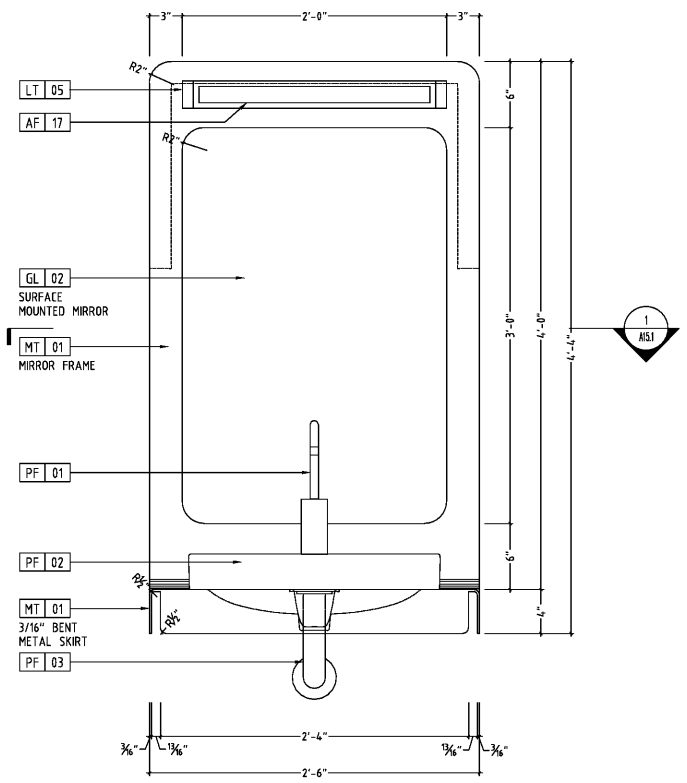
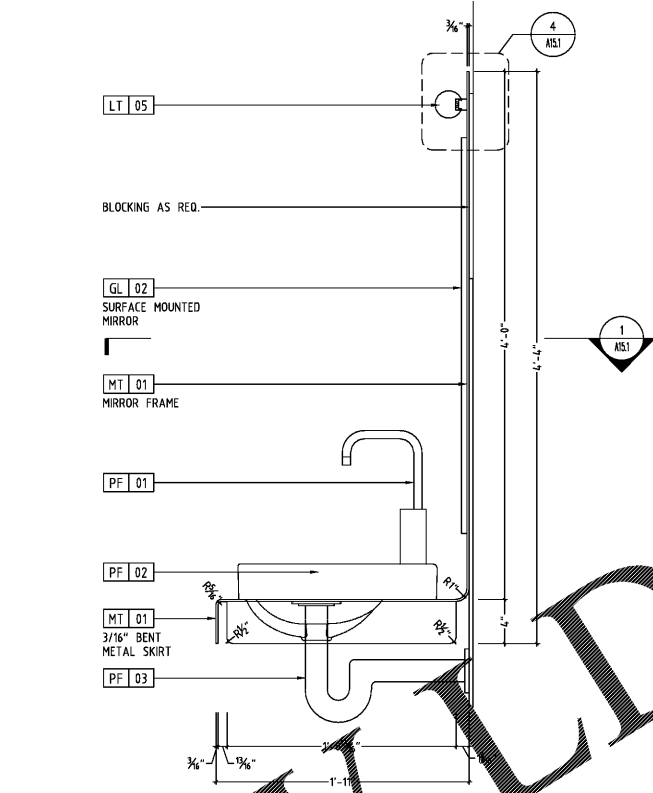


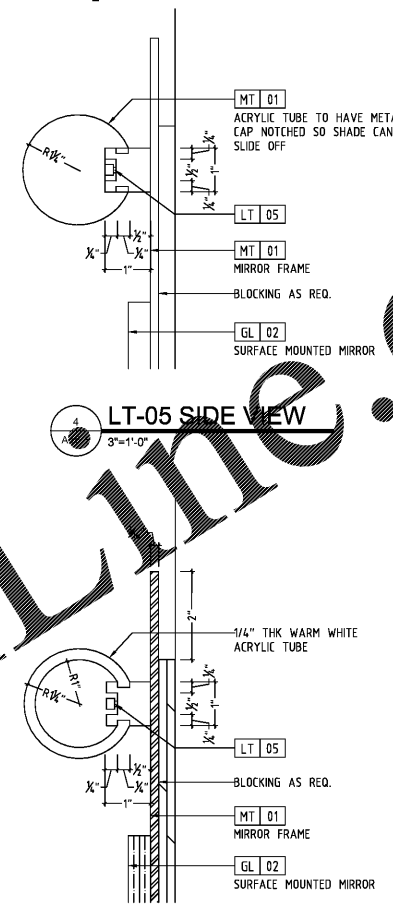
1 RESTROOM MIRROR & SINK PLAN  
A15.1 1 1/2"=1'-0"



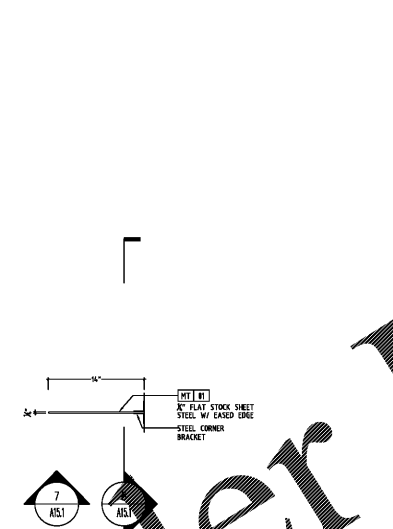
2 RESTROOM MIRROR & SINK ELEVATION  
A15.1 1 1/2"=1'-0"



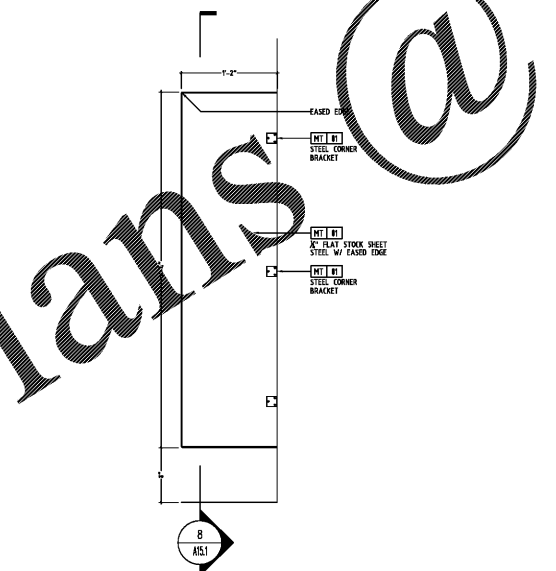
3 RESTROOM MIRROR & SINK SIDE ELEVATION  
A15.1 1 1/2"=1'-0"



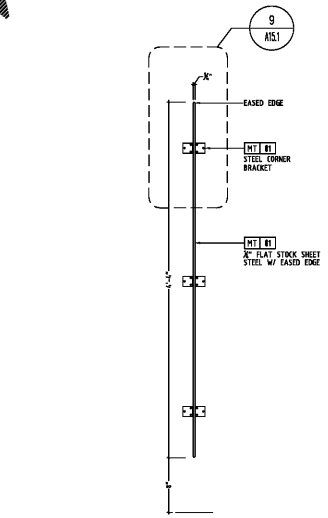
5 LT-05 DETAIL  
A15.1 3"=1'-0"



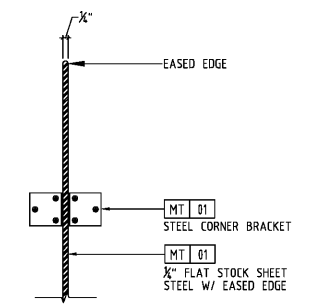
6 RESTROOM PARTITION PLAN  
A15.1 1 1/2"=1'-0"



7 RESTROOM PARTITION ELEVATION  
A15.1 1 1/2"=1'-0"



8 RESTROOM PARTITION SECTION  
A15.1 1 1/2"=1'-0"



9 RESTROOM PARTITION DETAILS  
A15.1 3"=1'-0"

**POPEYES**  
5727 BLUE LAGOON DRIVE  
MIAMI, FLORIDA 33128

THESE DRAWINGS ARE THE PROPERTY OF ARCHITRAVE GROUP PC AND SHALL NOT BE USED OR REPRODUCED WITHOUT THE EXPRESS WRITTEN PERMISSION OF ARCHITRAVE GROUP PC.

**Architrave GROUP PC**  
107 Broad Street • Suite 107  
Red Bank, New Jersey 07070  
PH: 856.261.1100  
FAX: 856.261.1101  
PA: 856.261.1102  
LA: 856.261.1103

**POPEYES**  
1009 BARATARIA BLVD.  
MARRERO, LOUISIANA  
LOUISIANA KITCHEN LK-PLUS DESIGN STANDARDS  
60 SEATS / DUAL-LINE PRODUCTION



REVISIONS:

RESTROOM DETAILS  
DATE: 12/19/18  
**A15.1**  
CHECKED: JS