

APPROACH "A"
Latch side approach,
Federal Register Vol. 56, No. 144
Pg. 38, Figure C (opposite hand)

APPROACH "B"
Front approach,
Federal Register Vol. 56, No. 144
Pg. 38, Figure A (opposite hand)

APPROACH "C"
Latch side approach,
Federal Register Vol. 56, No. 144
Pg. 38, Figure C

APPROACH "D"
Hinge side approach,
Federal Register Vol. 56, No. 144
Pg. 38, Figure B

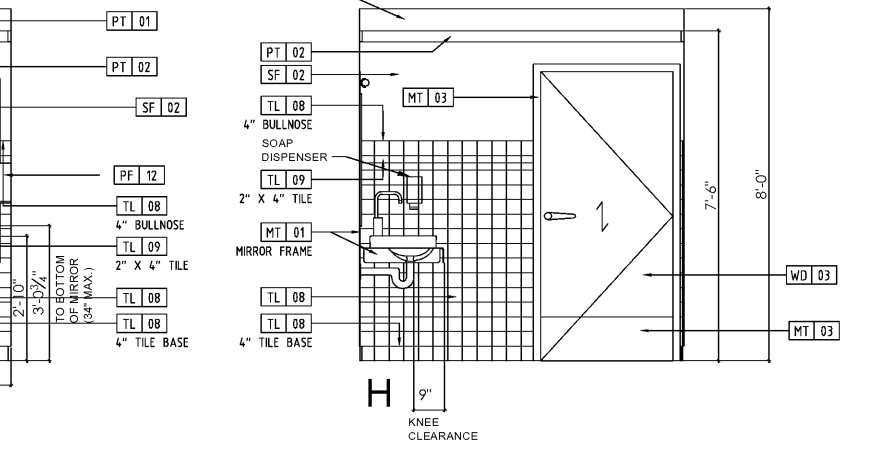
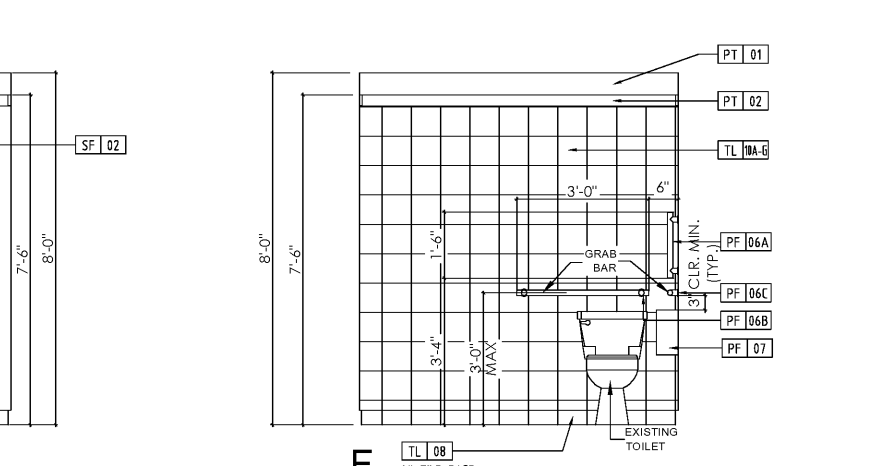
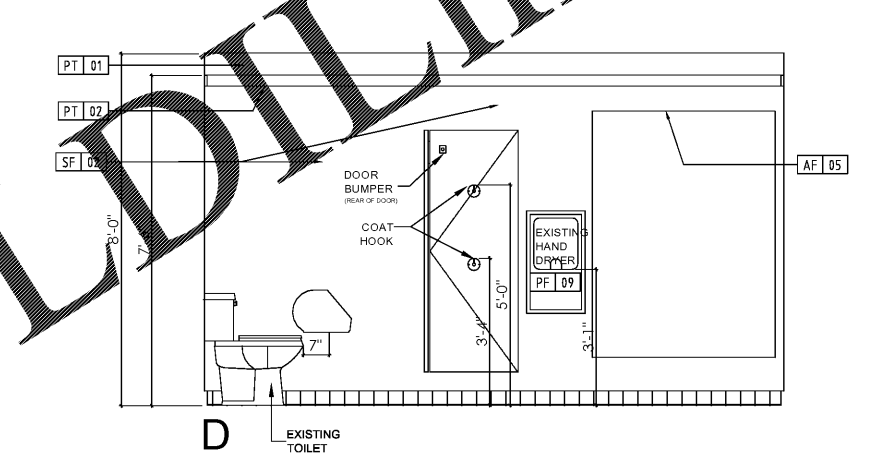
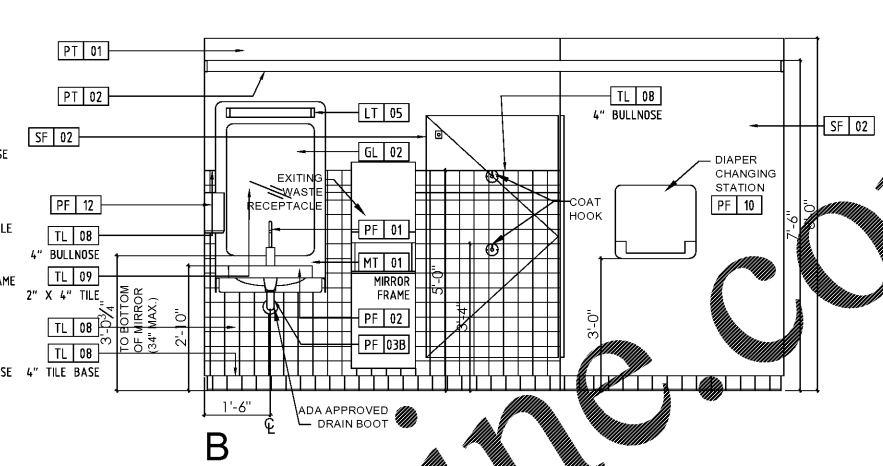
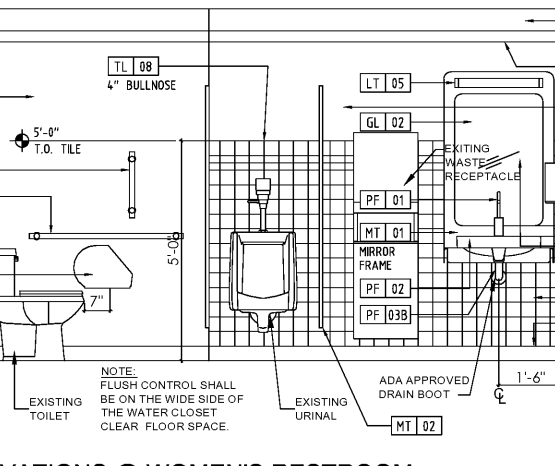
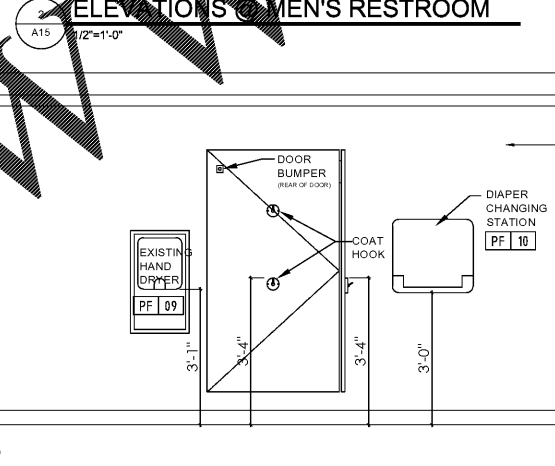
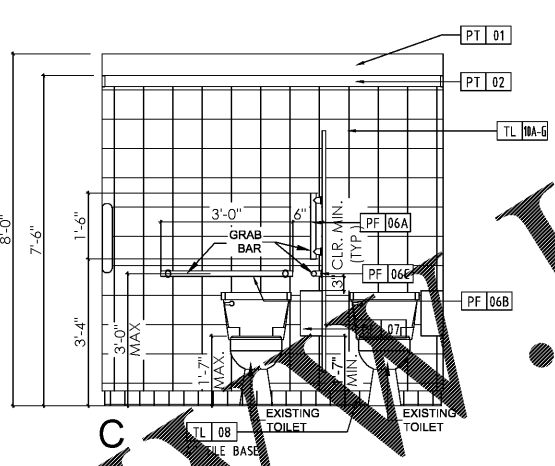
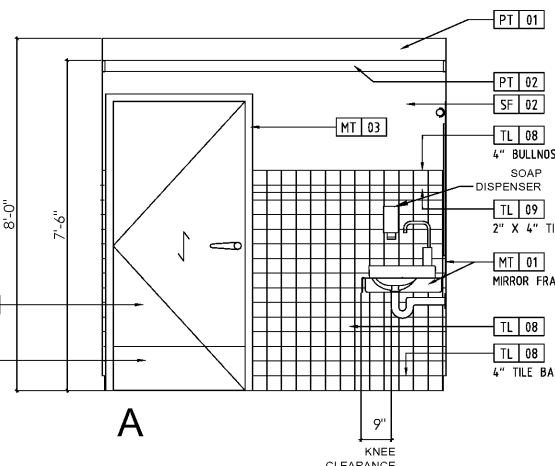
ALL DIMENSIONS THIS SHEET ARE FROM FINISHES

ALL DIMENSIONS THIS SHEET ARE FROM FINISHES

RESTROOM ACCESSORIES SCHEDULE	
QUANTITY	ITEM
2	GL 02 WALL MOUNTED MIRROR, SEE DETAIL ON DRAWING A15.1
3	R20 SURFACE-MOUNTED DOOR BUMPER - BOBRICK B-6877
6	R22 HEAVY DUTY CLOTHES HOOK - BOBRICK B-2116
2	PF 12 SOAP DISPENSER, SURFACE MOUNT - TORK 466200
3	PF 07 ROLL TOILET TISSUE DISPENSER - TORK 465500
2	PF 06B GRAB BAR, STRAIGHT, SNAP FLANGE, 36" - KOHLER K-11895 PURIST
2	PF 06C GRAB BAR, STRAIGHT, SNAP FLANGE, 42" - KOHLER K-11896 PURIST
2	PF 06A GRAB BAR, STRAIGHT, SNAP FLANGE, 18" - KOHLER K-11892 PURIST
2	PF 11 SANITARY NAPKIN DISPOSAL, SURFACE MOUNT - BOBRICK B-270 EXISTING TO REMAIN
2	PF 10 BABY CHANGING STATION, SURFACE MOUNT - KOALA KARE KB100-00 EXISTING TO REMAIN - OPTION REPLACE W/ KOALA KARE KB111-SSWM
2	PF 01 WALL MOUNT HAND SINK, KOHLER K-2660-1 W/ KOHLER FAUCET K-7518
2	PF 13 RECESSED ROLL TOWEL DISPENSER AND WASTE RECEPTACLE, BOBRICK B-43944 EXISTING TO REMAIN
2	PF 09 RECESSED ELECTRIC HAND DRYER, BRUSHED STAINLESS STEEL, MODEL NO. XL-SB EXISTING TO REMAIN - OPTION REPLACE W/ DYSON ABLADE V
3	PF 08 TOILET SEAT COVER BOBRICK B-4221

ALL RESTROOM ACCESSORIES FURNISHED AND INSTALLED BY CONTRACTOR.

- ACCESSIBILITY NOTES:**
ADA/ANSI A117.1
- THE INTERNATIONAL SYMBOL OF ACCESSIBILITY SIGN SHALL BE DISPLAYED AT ALL ACCESSIBLE RESTROOM FACILITIES AND AT ACCESSIBLE BUILDING ENTRANCES UNLESS ALL ENTRANCES ARE ACCESSIBLE. IN ACCESSIBLE ENTRANCES, THERE SHALL BE DIRECTIONAL SIGNS INDICATING THE ROUTE TO THE NEAREST ACCESSIBLE ENTRANCE.
 - DOOR CONTACTS AND WALLS SHALL BE MOUNTED NO LESS THAN 15" ABOVE THE FLOOR. EXCEPTION: HEIGHT LIMITATIONS DO NOT APPLY WHERE THE TYPE OF SPECIAL EQUIPMENT DICTATES OTHERWISE OR WHERE ELECTRICAL RECEPTACLES ARE NOT NORMALLY IN USE BY BUILDING OCCUPANTS.
 - WHERE EMERGENCY WARNING SYSTEMS ARE PROVIDED, THEY SHALL BE BOTH AUDIBLE AND VISUAL. ALARMS, THE VISUAL ALARMS SHALL BE LOCATED THROUGHOUT, INCLUDING RESTROOMS, AND PLACED 8' ABOVE THE FLOOR OR 6" BELOW CEILING, WHICHEVER IS LOWER.
 - DOORS TO ALL ACCESSIBLE SPACES SHALL HAVE ACCESSIBLE HARDWARE (i.e. LEVER-OPERATED, PUSH-TYPE, U-SHAPED) MOUNTED NO HIGHER THAN 48" ABOVE THE FLOOR.
 - FLOOR SURFACES SHALL BE STABLE, FIRM, AND SLIP-RESISTANT. CHANGES IN LEVEL BETWEEN 0.25" AND 0.5" SHALL BE BEVELED WITH A SLOPE NO GREATER THAN 1:2. CHANGES IN LEVEL GREATER THAN 0.5" REQUIRE RAMPS. CARPET PILE THICKNESS SHALL BE 0.5" MAX. GRATINGS IN FLOOR SHALL HAVE SPACES NO GREATER THAN 0.5" WIDE IN ONE DIRECTION. DOORWAY THRESHOLDS SHALL NOT EXCEED 0.5" IN HEIGHT.
 - GRAB BARS REQUIRED FOR ACCESSIBILITY SHALL BE 1.25"-1.50" IN DIAMETER WITH 1.5" CLEAR SPACE BETWEEN THE BAR AND THE WALL.
 - ACCESSIBLE WATER CLOSETS SHALL BE 17"-19" FROM FLOOR TO THE TOP OF THE SEAT. GRAB BARS SHALL BE 36" LONG MINIMUM WHEN LOCATED BEHIND WATER CLOSET AND 42" MINIMUM WHEN LOCATED ALONG SIDE OF WATER CLOSET, AND SHALL BE MOUNTED 33"-36" ABOVE THE FLOOR.
 - ACCESSIBLE URINALS SHALL BE STALL-TYPE OR WALL HUNG WITH ELONGATED RIMS AT A MAXIMUM OF 17" ABOVE THE FLOOR.
 - ACCESSIBLE LAVATORIES SHALL BE MOUNTED WITH THE RIM NO HIGHER THAN 34" ABOVE THE FLOOR AND A CLEARANCE OF AT LEAST 27" ABOVE THE FLOOR TO THE BOTTOM OF THE APRON.
 - ACCESSIBLE SINKS SHALL BE MOUNTED WITH THE RIM NO HIGHER THAN 34" ABOVE THE FLOOR AND A CLEARANCE OF AT LEAST 27" HIGH, 30" WIDE, AND 19" DEEP UNDERNEATH SINK. THE SINK DEPTH SHALL BE 6.5" MAXIMUM.
 - HOT WATER AND DRAIN PIPES UNDER ACCESSIBLE LAVATORIES AND SINKS SHALL BE INSULATED OR OTHERWISE CONFIGURED TO PROTECT AGAINST CONTACT. THERE SHALL BE NO SHARP OR ABRASIVE SURFACES UNDER.
 - ACCESSIBLE LAVATORIES AND SINKS, ACCESSIBLE LAVATORIES AND SINKS SHALL HAVE ACCESSIBLE FAUCETS (i.e. LEVER-OPERATED, PUSH-TYPE, ELECTRONICALLY CONTROLLED).
 - WHERE MIRRORS ARE PROVIDED IN RESTROOM, AT LEAST ONE SHALL BE PROVIDED WITH THE BOTTOM EDGE OF THE REFLECTIVE SURFACE NO HIGHER THAN 40" ABOVE THE FLOOR.



ELEVATIONS @ MEN'S RESTROOM

ELEVATIONS @ WOMEN'S RESTROOM

ENLARGED RESTROOM PLAN
A15 1/2"=1'-0"

NOTE:
VERIFY ALL PAPER & SOAP PRODUCTS WITH VENDOR

SPECIFICATIONS:
DIVISION 10: SPECIALTIES
SECTION 10A: TOILET ACCESSORIES
GENERAL PROVISIONS

- SCOPE: INSTALL TOILET PARTITIONS WHERE APPLICABLE, TOILET ACCESSORIES, AND RELATED HARDWARE AS SHOWN ON PLANS OR INSTALLATION DRAWINGS.
 - SUBMISSIONS: PROVIDE INSTALLATION DRAWINGS TO OWNER'S REPRESENTATIVE SHOWING THE SIZE AND LOCATION OF EACH COMPONENT AND ROUGH OPENING SIZES AND MOUNTING HEIGHTS. LABEL ALL COMPONENTS TO CORRESPOND TO INSTRUCTIONS FOR EASE OF INSTALLATION.
- MATERIALS**
- DOORS FOR TOILET COMPARTMENTS WHERE APPLICABLE WITH STUD WALL PARTITIONS SHALL BE 3'-4" X 58" HIGH TOILET STALL DOORS WITH STANDARD HINGES #902 CATCH SLIDE SURFACE STRIKE #5140 FOR OUTSWINGING DOORS, AND #5260 SURFACE STRIKE FOR IN-SWINGING DOORS. COAT HOOK WITH RUBBER BUMPER AT 48" O.C.
 - STALL DOOR HINGE JAMB: 1-1/4" X 1-1/4" X 8'-0" MLL FINISH. MINIMUM TUBE HINGE JAMB POST FOR TOILET STALL DOORS. PRE-DRILL FOR #12 SCREWS @ 8" O.C.
 - PANELIZED TOILET COMPARTMENTS & DOORS (WHEN SHOWN) SHALL BE ASI FLOOR-MOUNTED, OVERHEAD-BRACED TOILET PARTITIONS AND/OR FLOOR-MOUNTED, WITH STAINLESS STEEL PILEASTER SIDE COVER, FINISH STAIN #4. DOORS TO HAVE COAT HOOK WITH RUBBER BUMPER.
 - ACCESSORIES REFER TO SCHEDULE.
- PERFORMANCE**
- INSTALL PARTITIONS, ACCESSORIES, AND HARDWARE IN ACCORDANCE WITH MANUFACTURER'S RECOMMENDATIONS AND INSTALLATION DRAWINGS.

POPEYES
5727 BLUE LAGOON DRIVE
MIAMI, FLORIDA 33128

THESE DRAWINGS ARE THE PROPERTY OF ARCHITRAVE GROUP PC AND SHALL NOT BE USED OR REPRODUCED WITHOUT THE EXPRESS WRITTEN PERMISSION OF ARCHITRAVE GROUP PC.

rchitrave GROUP PC
107 Broad Street • Suite 107
Red Bank, New Jersey 07701
TEL: 908.849.1000 FAX: 908.849.1001
JOSE C. SANTOS, P.E., N.Y. REG. 00056
PA. REG. 00056 VA. REG. 00056
LA. REG. 00056

POPEYES
1009 BARATARIA BLVD.
MARRERO, LOUISIANA
LOUISIANA KITCHEN LK-PLUS DESIGN STANDARDS
60 SEATS / DUAL-LINE PRODUCTION



REVISIONS:

ENLARGED RESTROOM PLAN & ELEVATIONS

DATE: 12/19/18

A15

CHECKED: JS