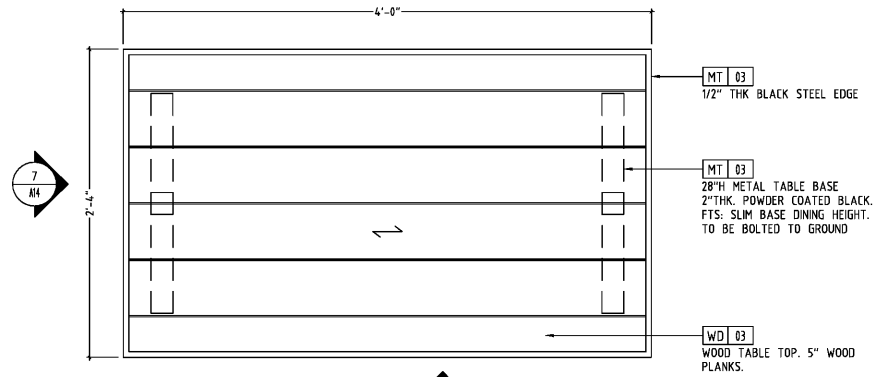
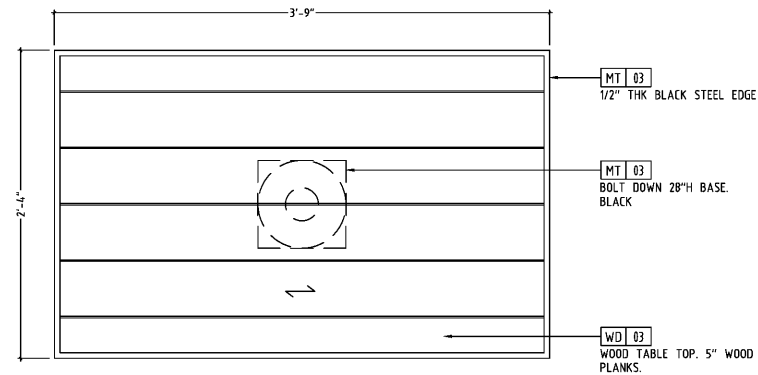


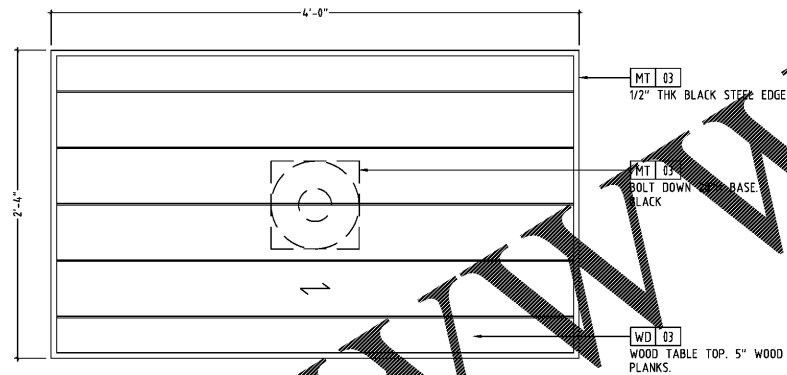
1 TB-01 PLAN
A14 1 1/2"=1'-0"



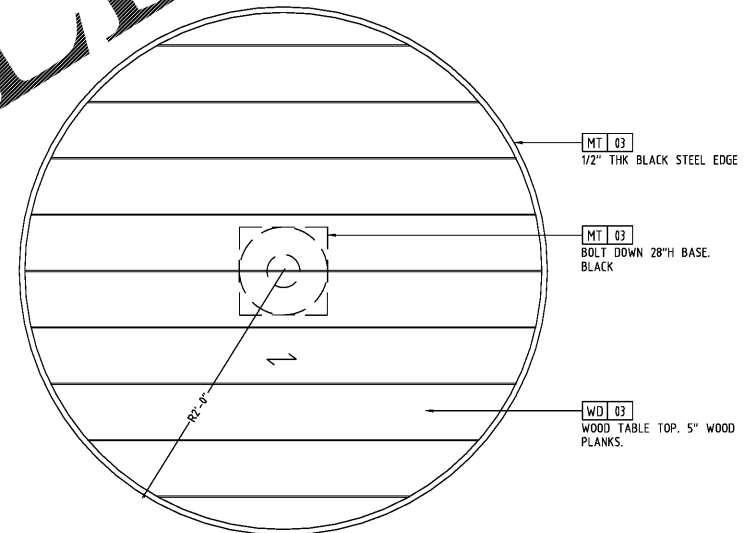
2 TB-02 PLAN
A14 1 1/2"=1'-0"



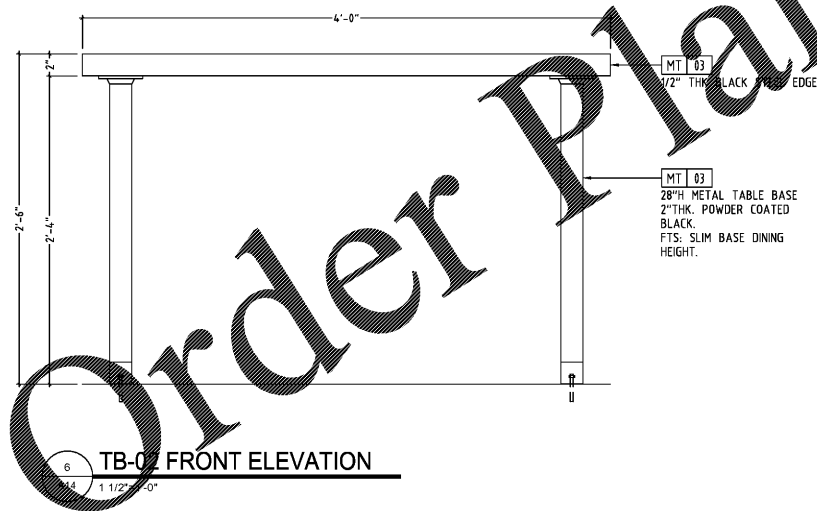
3 TB-03 PLAN
A14 1 1/2"=1'-0"



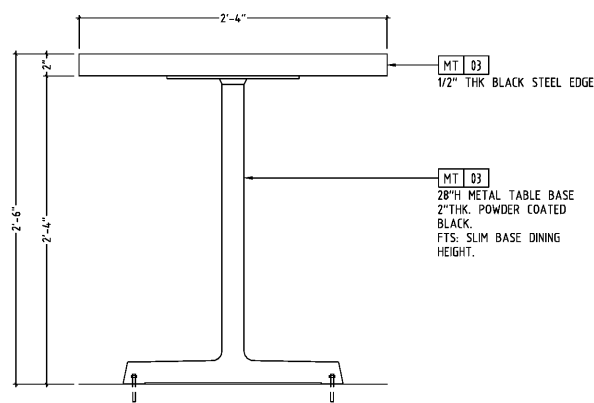
4 TB-04 PLAN
A14 1 1/2"=1'-0"



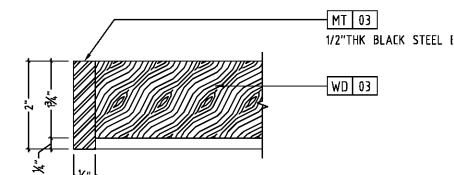
5 TB-05 PLAN
A14 1 1/2"=1'-0"



6 TB-01 FRONT ELEVATION
A14 1 1/2"=1'-0"



7 TB-02 ELEVATION
A14 1 1/2"=1'-0"



8 TB-01-05 DETAIL
A14 6"=1'-0"

MILLWORK DETAILS KEY NOTES

- 01 FINAL DISTRIBUTION OF WD-01-04 TO FOLLOW IMAGE PROVIDED.
- 02 DEPLOY IN THESE PERCENTAGES:
WD-01: 10%
WD-02: 40%
WD-03: 40%
WD-04: 10%
- 03 PROVIDE POWER TO TABLE W/ FLOOR JACK RECEPTACLE

MILLWORK DETAILS GENERAL NOTES

- 1. ALL TABLES TO BE BOLTED TO GROUND UNLESS OTHERWISE SPECIFIED.
- 2. ALL WD TABLE TOPS TO BE SEALED WITH A MATTE POLYURETHANE SEALER UNLESS OTHERWISE SPECIFIED.

POPEYES
5727 BLUE LAGOON DRIVE
MIAMI, FLORIDA 33128

THESE DRAWINGS ARE THE PROPERTY OF ARCHITRAVE GROUP PC AND SHALL NOT BE USED OR REPRODUCED WITHOUT THE EXPRESS WRITTEN PERMISSION OF ARCHITRAVE GROUP PC.



POPEYES
1009 BARATARIA BLVD.
MARRERO, LOUISIANA
LOUISIANA KITCHEN LK-PLUS DESIGN STANDARDS
60 SEATS / DUAL-LINE PRODUCTION



POPEYES

REVISIONS:

GENERAL MILLWORK DETAILS

DATE: 12/19/18

A14

CHECKED: JS