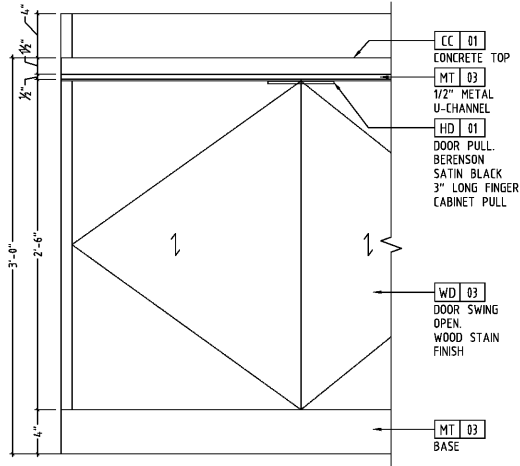
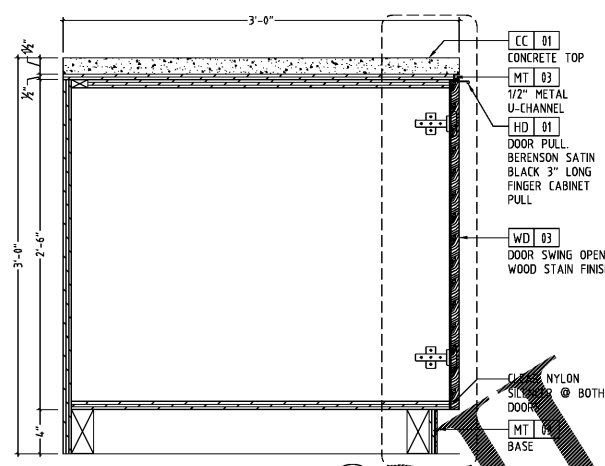


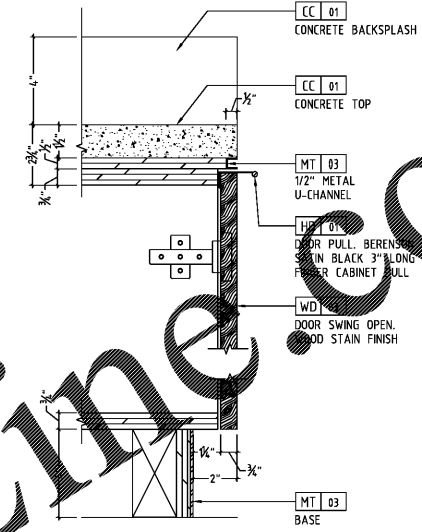
1 DRINK STATION COUNTER PLAN  
A13 1 1/2"=1'-0"



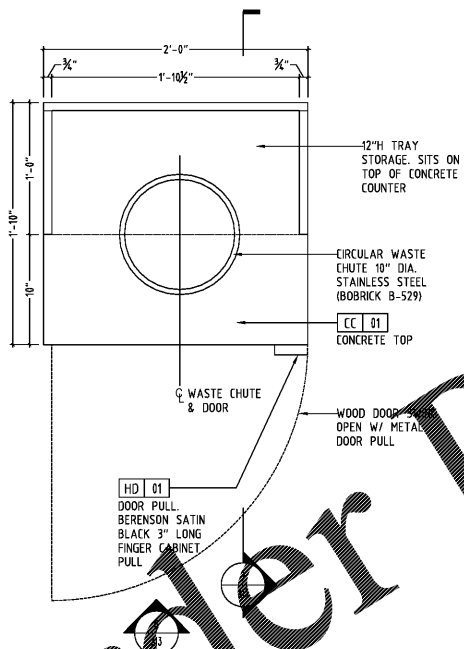
2 DRINK STATION COUNTER ELEVATION  
A13 1 1/2"=1'-0"



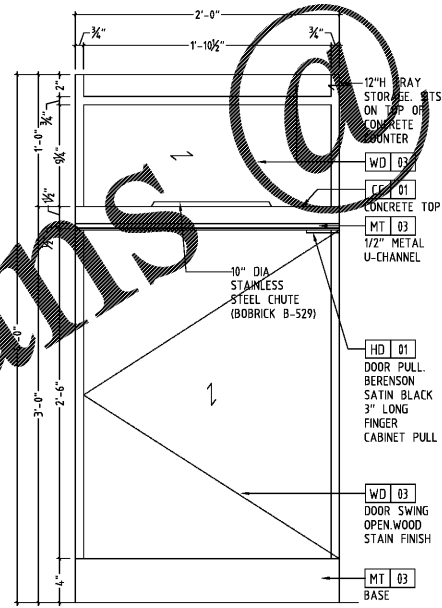
3 DRINK STATION COUNTER SECTION  
A13 1 1/2"=1'-0"



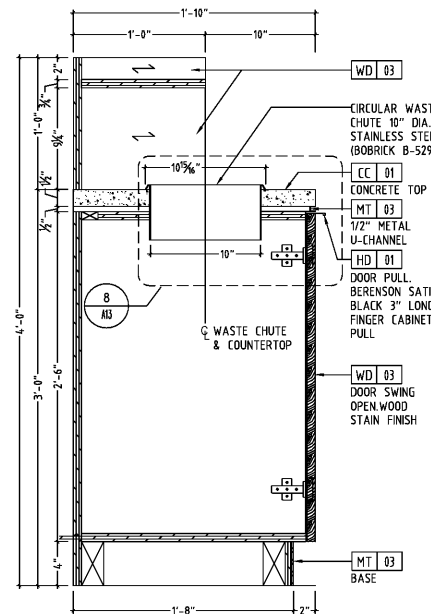
4 DRINK STATION COUNTER DETAIL  
A13 1 1/2"=1'-0"



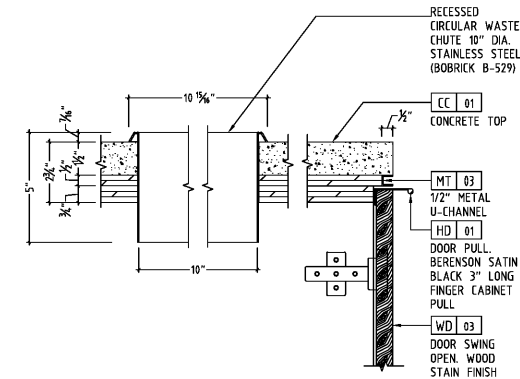
5 TRASH TRAY COUNTER PLAN  
A13 1 1/2"=1'-0"



6 TRASH TRAY COUNTER ELEVATION  
A13 1 1/2"=1'-0"



7 TRASH TRAY COUNTER SECTION  
A13 1 1/2"=1'-0"



8 TRASH TRAY COUNTER DETAIL  
A13 3"=1'-0"