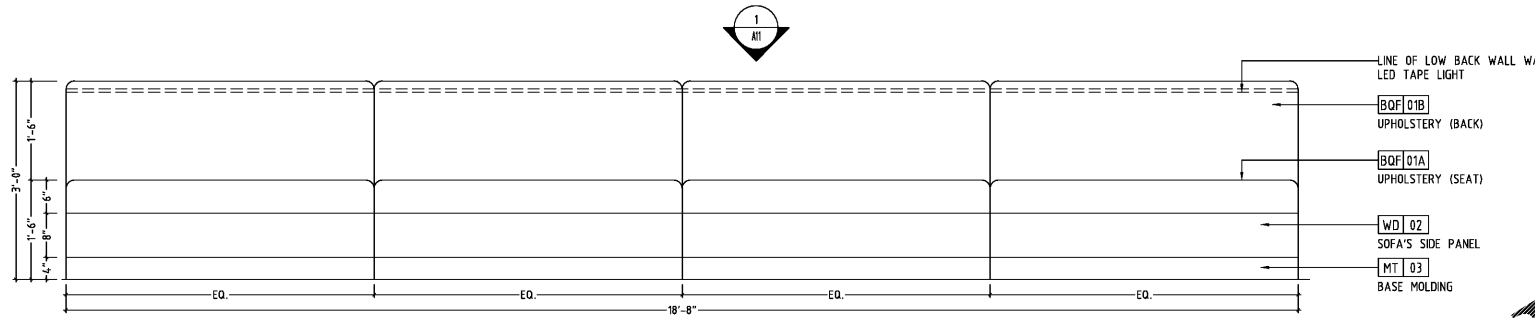
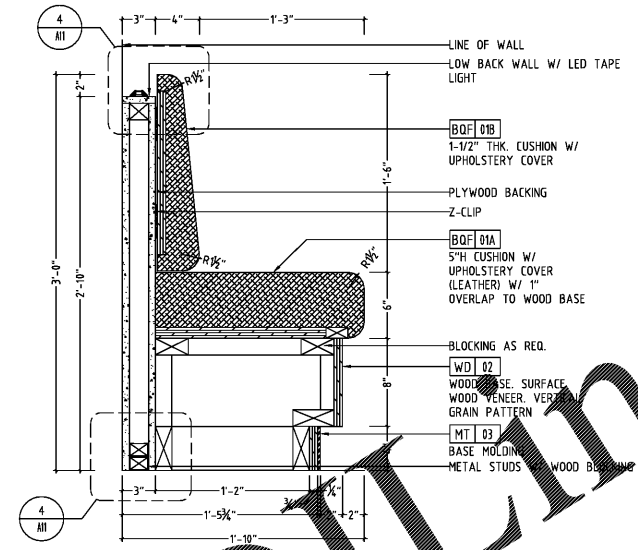


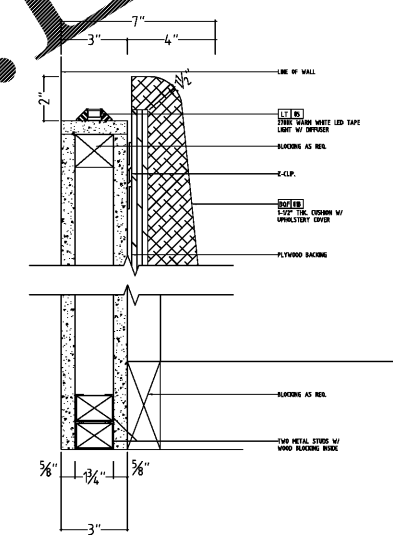
1 BANQUETTE PLAN
A11 3/4"=1'-0"



2 BANQUETTE ELEVATION
A11 3/4"=1'-0"



3 BANQUETTE SECTION
A11 1 1/2"=1'



4 BANQUETTE DETAILS
A11 3"=1'-0"

Order Plans @ www.ldl.com

Architrave GROUP PC
157 Broad Street • Suite 107
Red Bank, New Jersey 07701
Tel: 908.328.1100
Fax: 908.328.1101
PA 188250 VA 07022 LA 70113

POPEYES
1009 BARATARIA BLVD.
MARRERO, LOUISIANA
LOUISIANA KITCHEN LK-K-PLUS DESIGN STANDARDS
60 SEATS / DUAL-LINE PRODUCTION



REVISIONS:

GENERAL MILLWORK DETAILS

DATE: 12/19/18

A11

CHECKED: JS