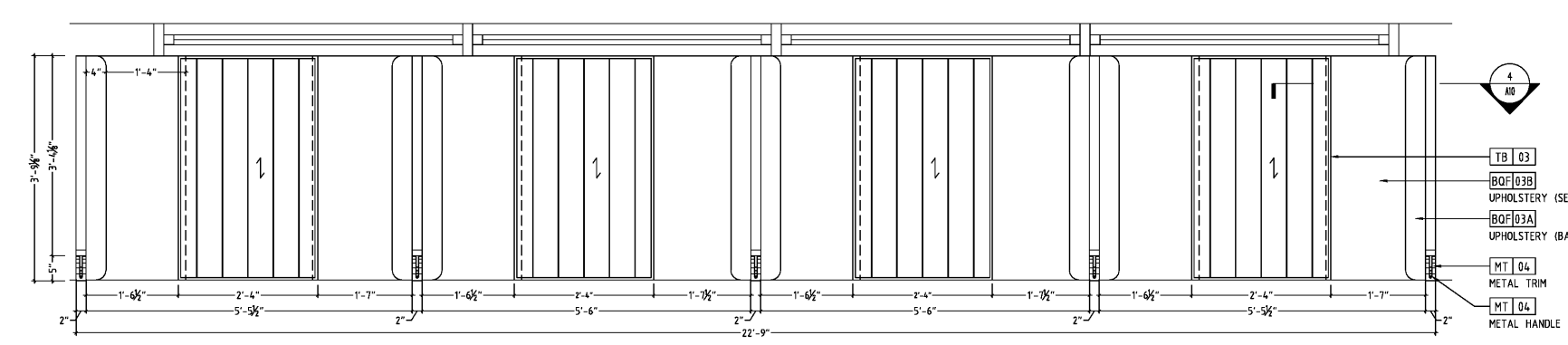


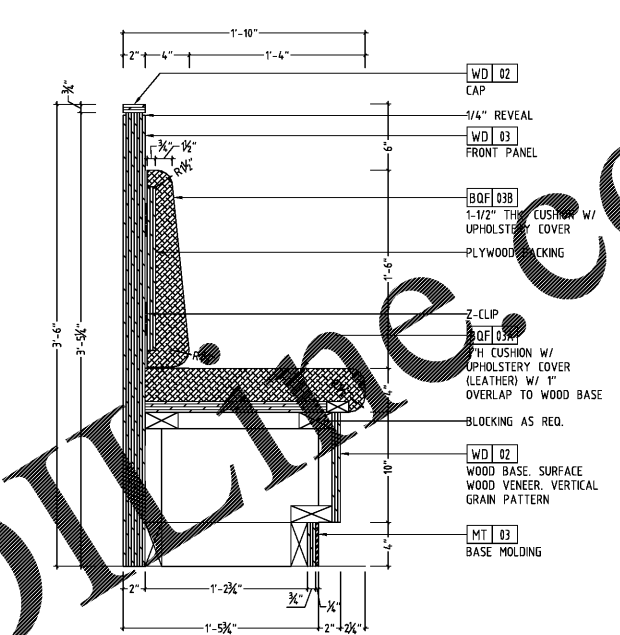
THESE DRAWINGS ARE THE PROPERTY OF ARCHITRAVE GROUP PC AND SHALL NOT BE USED OR REPRODUCED WITHOUT THE EXPRESS WRITTEN PERMISSION



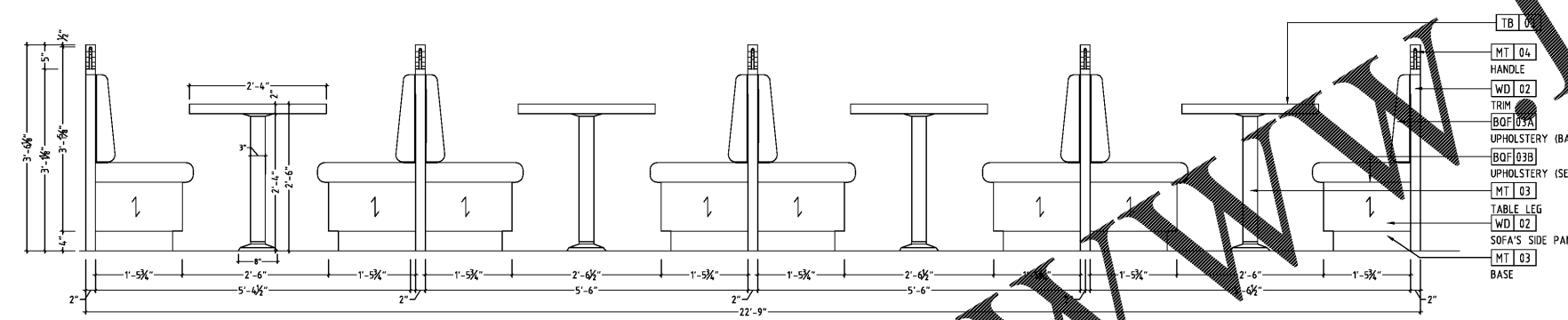
**Archtrave GROUP PC**  
107 Royal Street - Suite 107  
Red Bank, New Jersey 07716  
Tel: 732.221.2100  
PA: 609.261.2100  
JOSE C. SANTOS, P.A. - NY 00850  
LA 00022  
LA 00022



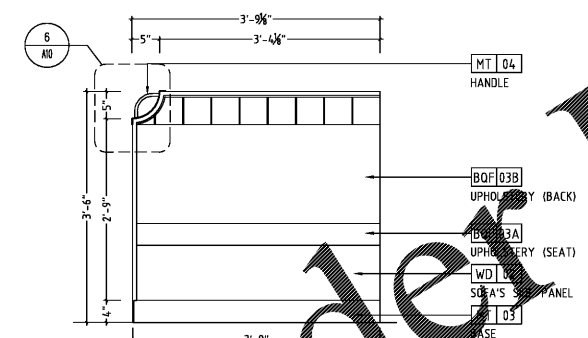
1 SMALL BOOTH PLAN  
A10 3/4"=1'-0"



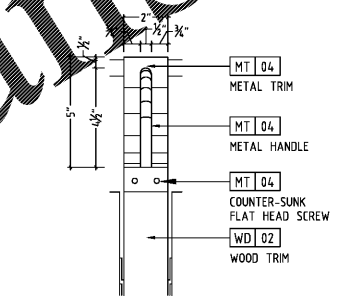
4 SMALL BOOTH SECTION  
A10 1 1/2"=1'-0"



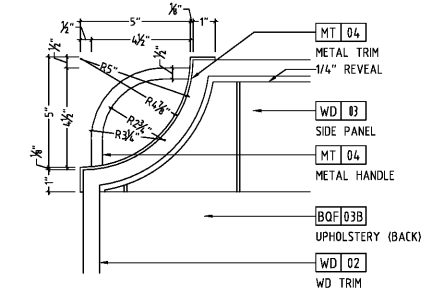
2 SMALL BOOTH ELEVATION  
A10 3/4"=1'-0"



3 SMALL BOOTH ELEVATION  
A10 3/4"=1'-0"

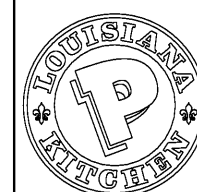


5 SMALL BOOTH ELEVATION  
A10 3"=1'-0"



6 SMALL BOOTH DETAIL  
A10 3"=1'-0"

**POPEYES**  
1009 BARATARIA BLVD.  
MARRERO, LOUISIANA  
LOUISIANA KITCHEN LK-PLUS DESIGN STANDARDS  
60 SEATS / DUAL-LINE PRODUCTION



POPEYES

REVISIONS:

GENERAL MILLWORK DETAILS  
DATE: 12/19/18

**A10**

CHECKED: JS

Order Plans @ [WWW.LDLINE.COM](http://WWW.LDLINE.COM)