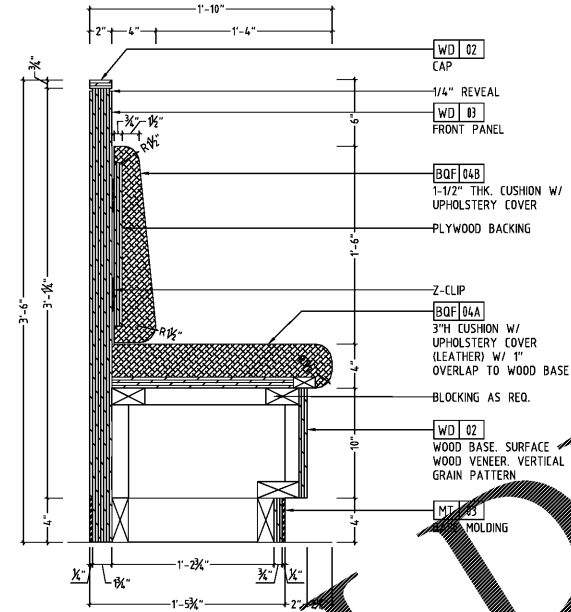
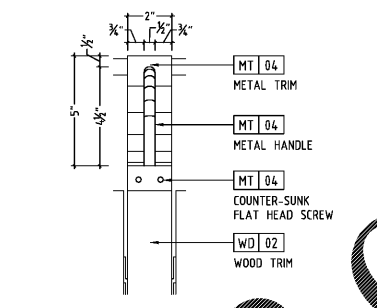


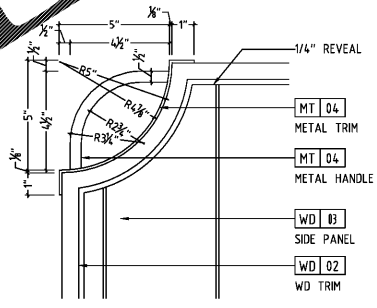
1 LARGE BOOTH PLAN  
A8 1"=1'-0"



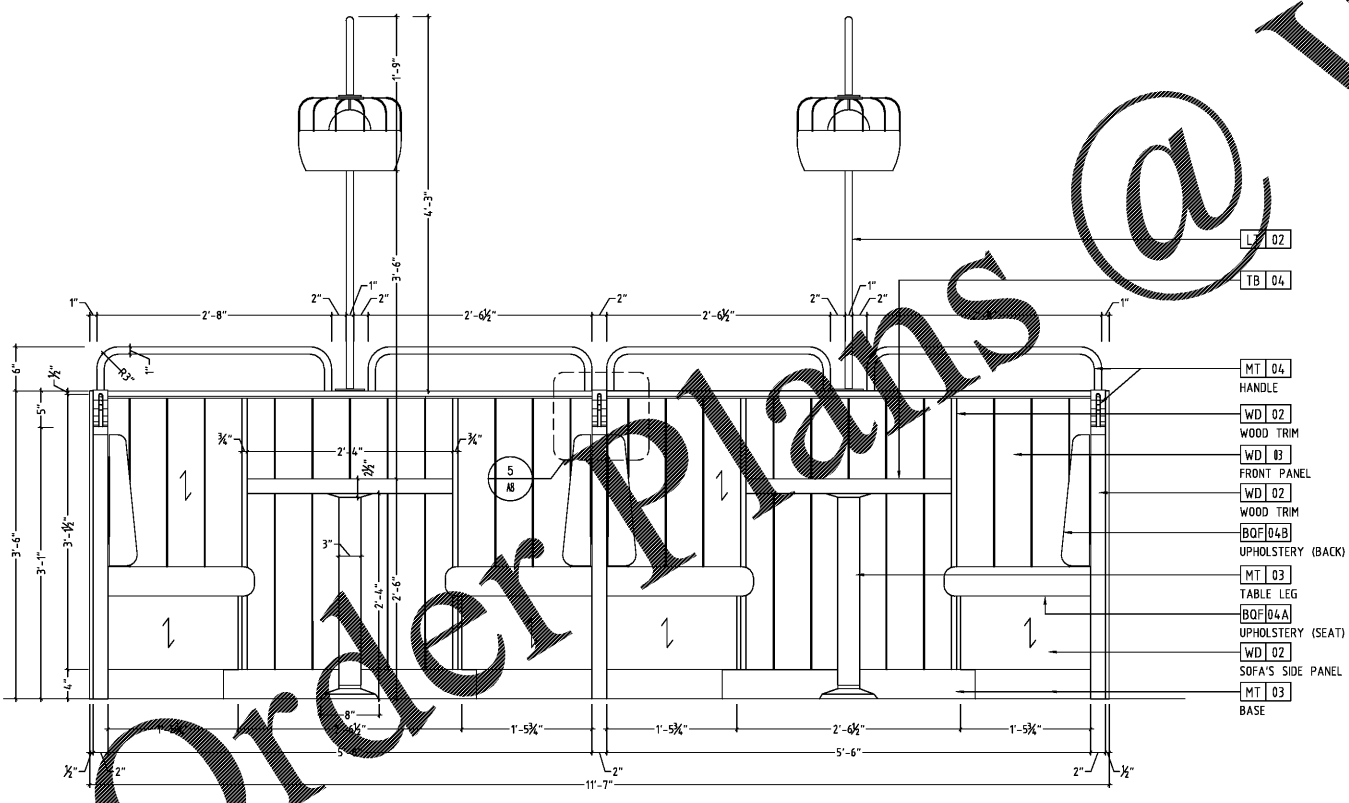
4 LARGE BOOTH SECTION  
A8 1 1/2"=1'-0"



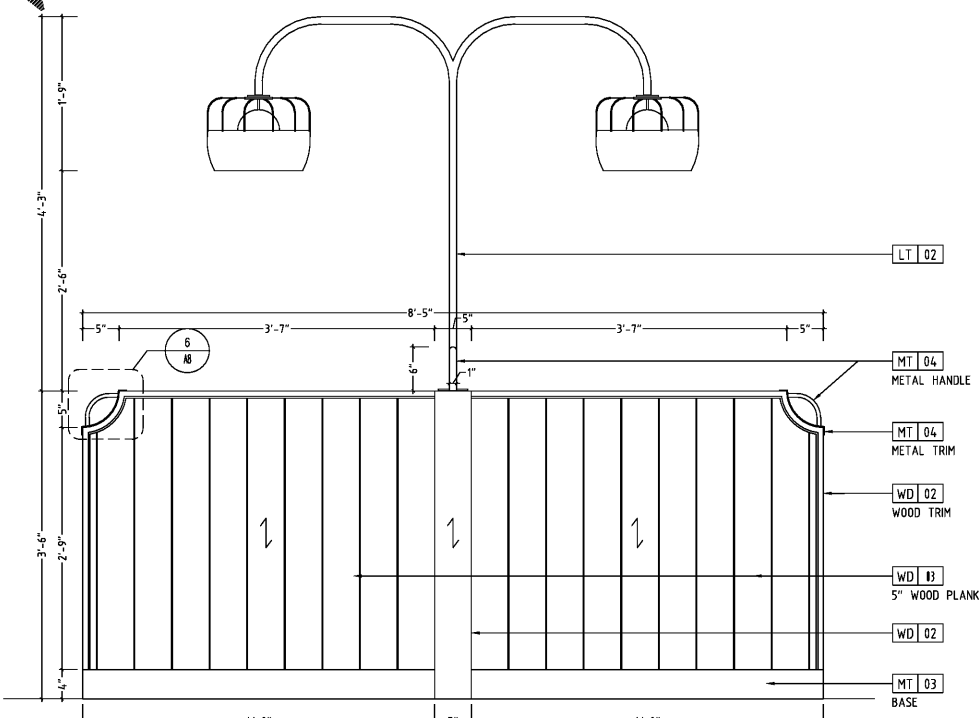
5 LARGE BOOTH DETAIL  
A8 3"=1'-0"



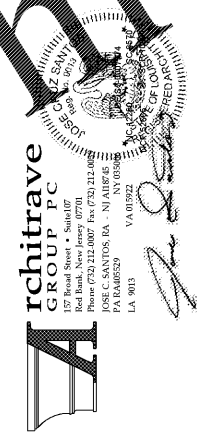
6 LARGE BOOTH DETAIL  
A8 3"=1'-0"



2 LARGE BOOTH ELEVATION  
A8 1"=1'-0"



3 LARGE BOOTH ELEVATION  
A8 1"=1'-0"



POPEYES  
 1009 BARATARIA BLVD.  
 MARRERO, LOUISIANA  
 LOUISIANA KITCHEN LK-PLUS DESIGN STANDARDS  
 60 SEATS / DUAL-LINE PRODUCTION

