

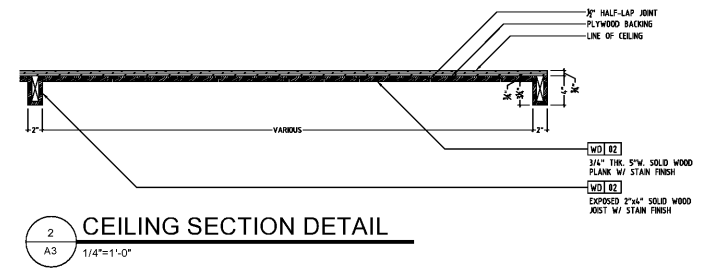
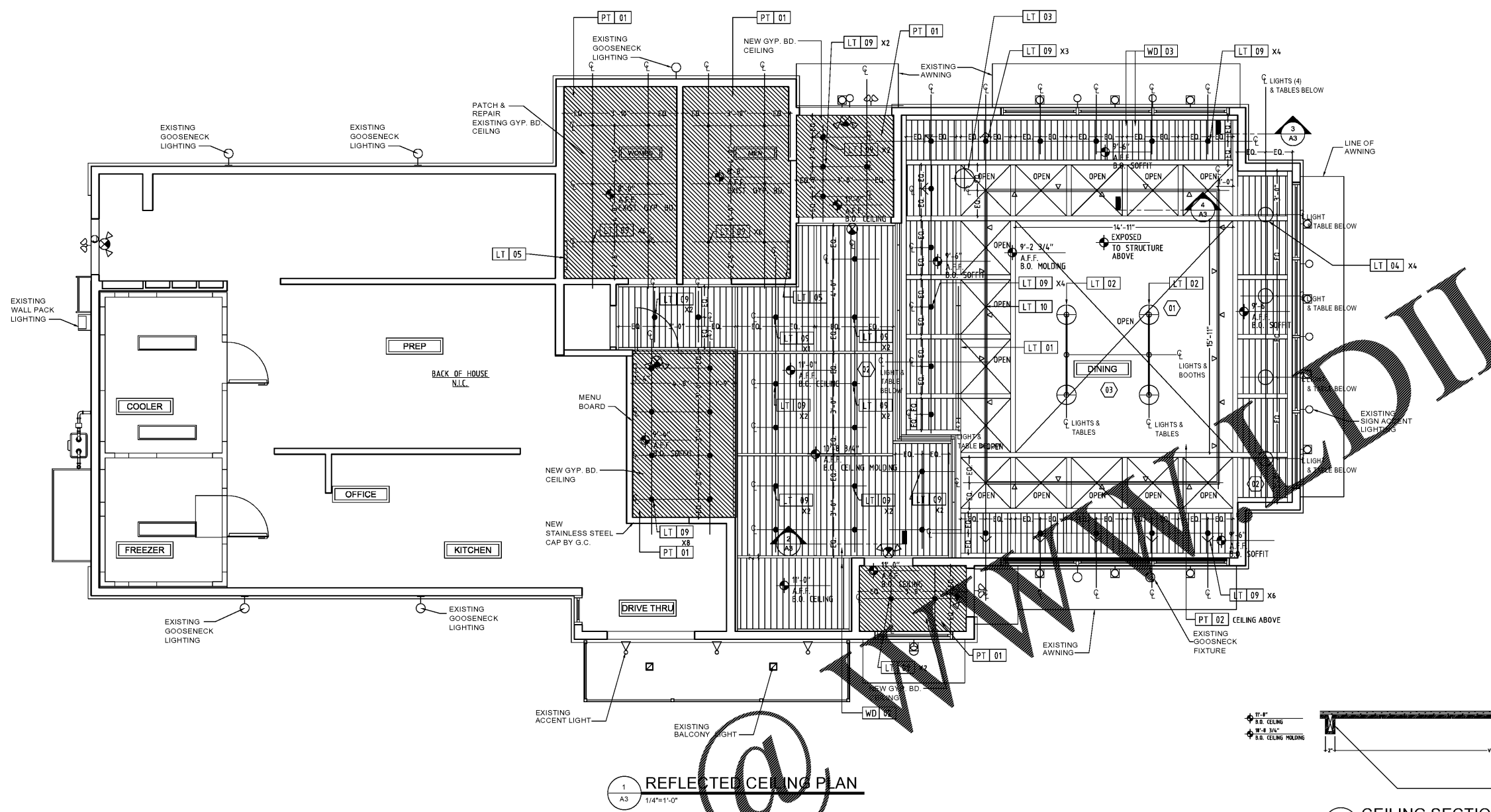
SYMBOL LEGEND:

- A LED DOWNLIGHT
- B LED WALL WASHER
- C LED TRACK LIGHT
- D COMMUNITY TABLE LIGHT
- E BOOTH PENDANT
- F LED TRACK LIGHT
- G BOOTH PENDANT
- H BOOTH PENDANT
- I VANITY LIGHT (RESTROOM)
- J EXISTING EMERGENCY LIGHTING
- K EXISTING EXTERIOR EMERGENCY LIGHTING

HERMITAGE LIGHTING CONTACT INFORMATION:
DAVID JACKSON
(800) 264-3383
djackson@hermitagelighting.com

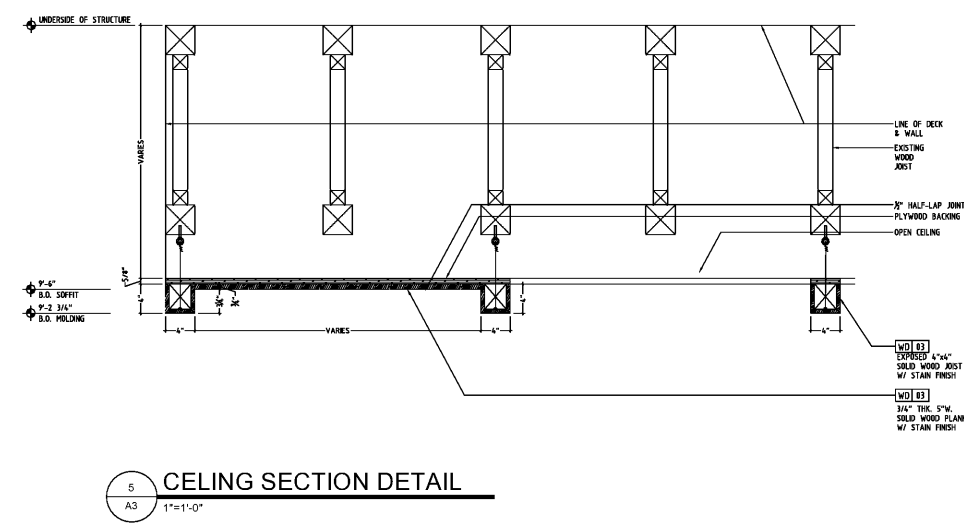
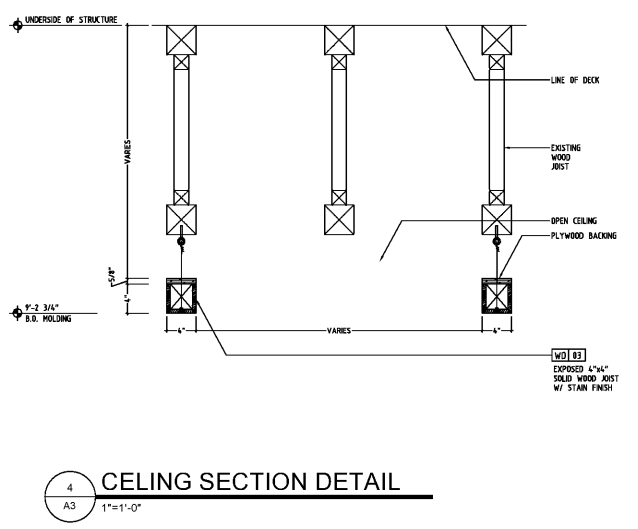
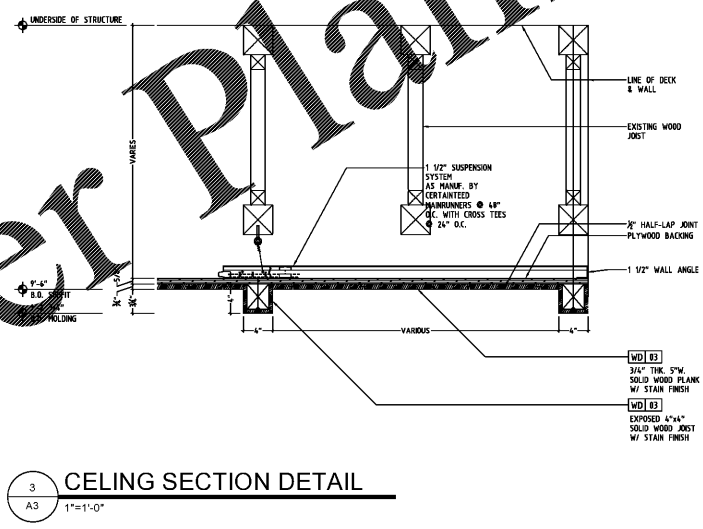
RCP KEY NOTES

- 01 ALL OPEN CEILING ELEMENTS (EXPOSED STRUCTURE) TO BE PAINTED PT-02
- 02 WOOD GRAIN TO FOLLOW PLANK DIRECTION
- 03 SEE MECHANICAL DRAWINGS FOR DIFFUSER LAYOUT



SPECIFICATIONS:
DIVISION 9: FINISHES
SECTION 9C: SUSPENDED CEILING
GENERAL PROVISIONS
1. SCOPE: FURNISH AND INSTALL ACOUSTICAL WOOD PANELS WITH SUSPENSION SYSTEM.
PERFORMANCE
1. INSTALLATION: GRID SHALL BE INSTALLED AS SHOWN AND IN STRICT ACCORDANCE WITH MANUFACTURER'S INSTRUCTIONS. LEVEL ACCURATELY AND HANG FROM #9 GAUGE ANNEALED WIRE NOT OVER 4" ON CENTERS. PROVIDE HOLD-DOWN CLIPS. COOPERATE IN FITTING AROUND AIR CONDITIONING AND VENTILATION OUTLETS.

GENERAL NOTES
1) CEILING GRID SHALL BE SUPPORTED FROM STRUCTURAL MEMBERS ONLY. GRID SHALL NOT BE SUPPORTED FROM OTHER TRADE WORK.
2) COORDINATE GRID INSTALLATION WITH LOCATION OF EXISTING MECHANICAL EQUIPMENT.
3) HANGER WIRES FOR GRID SHALL BE INSTALLED AT NO MORE THAN 18" O.C.
4) 1 1/2" SUSPENSION SYSTEM SHALL BE AS SUP. BY CERTIFIED OR EQUAL.
5) ALL RECESSED DOWN LIGHTS AND WALL WASHERS AND ALL ARCHITECTURAL LIGHTING TO BE SELECTED BY OWNER.



3 CEILING SECTION DETAIL
A3 1"=1'-0"

4 CEILING SECTION DETAIL
A3 1"=1'-0"

5 CEILING SECTION DETAIL
A3 1"=1'-0"

Order Plans @

www.dual-line.com