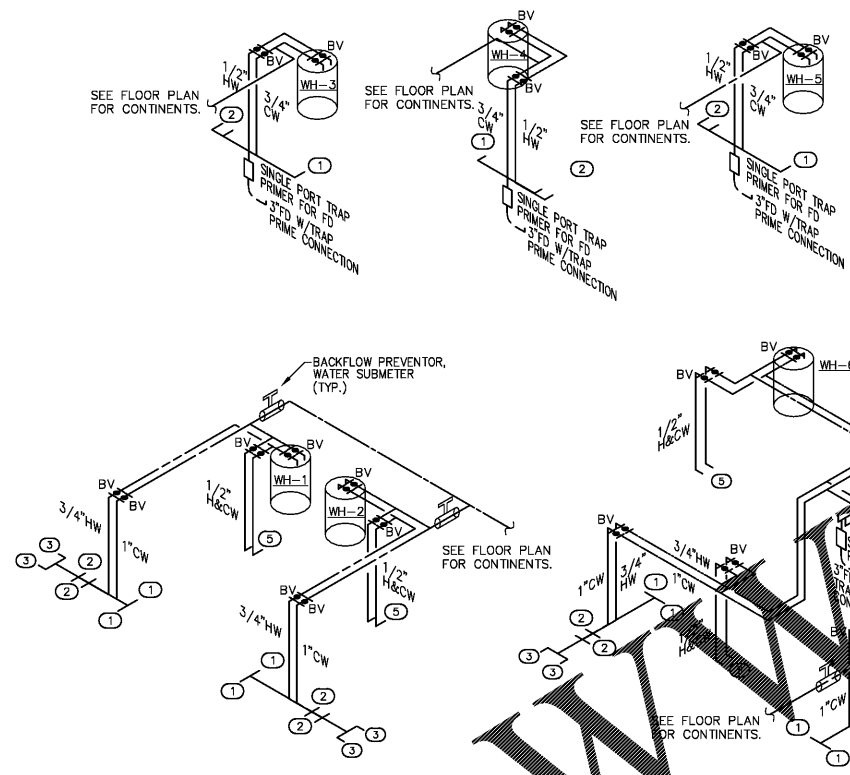
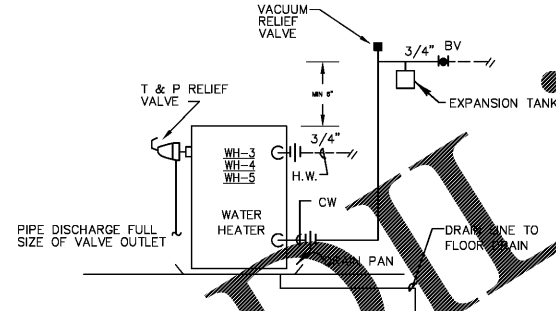


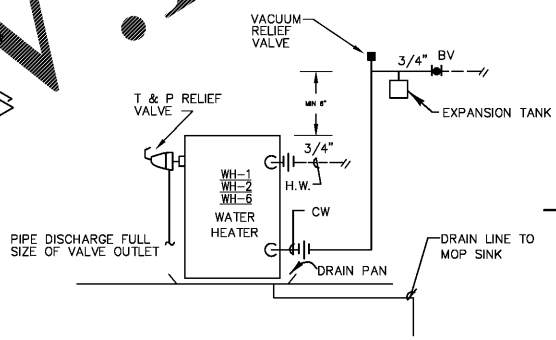
1 SANITARY RISER
Scale: None



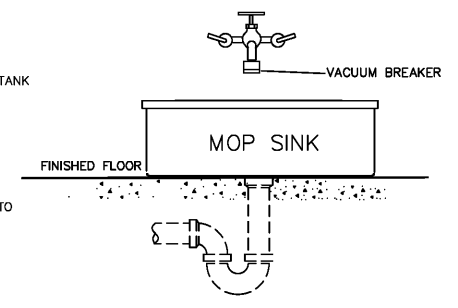
2 WATER RISER
Scale: None



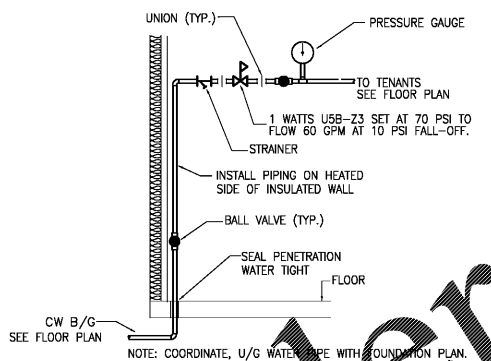
4 WATER ENTRANCE DETAIL
Scale: None



3 WATER ENTRANCE DETAIL
Scale: None

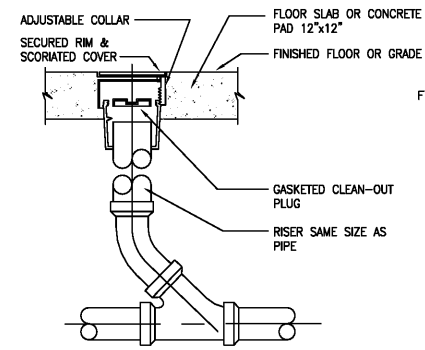


9 MOP SINK DETAIL
Scale: None

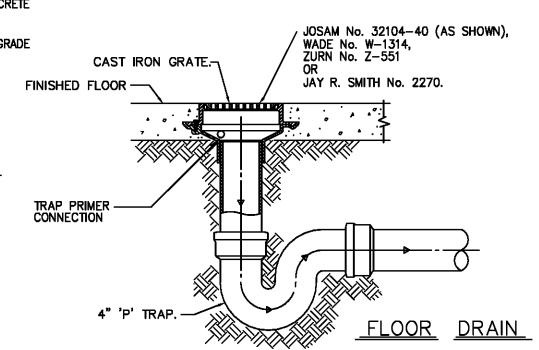


7 WATER ENTRANCE DETAIL
Scale: None

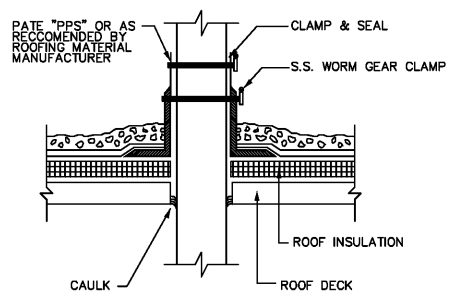
NOT USED



5 CLEANOUT DETAIL
Scale: None



6 FLOOR DRAIN DETAIL
Scale: None



10 PIPE FLASHING DETAIL DETAIL
Scale: None

Order Plans

WWW.LDLine.com

REVISIONS:	NO.	DATE	DESCRIPTION

RETAIL DEVELOPMENT
POP'S WINE & SPIRITS
 2-1764 TR A-B MCFARLAND 400 IND PARK
 MCFARLAND PKWY ALPHARETTA GA 30004

PLUMBING RISERS & DETAILS
 PROJ. NO: 201834
 DATE: 01/18/2019