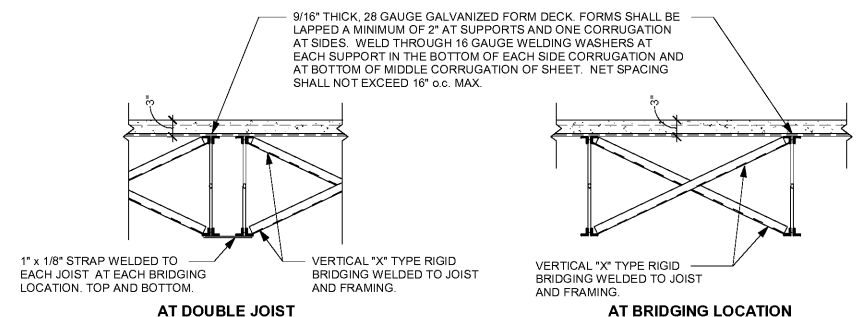


AT BEARING ON EXTERIOR STEEL BEAM AT BEARING ON STEEL BEAM



AT DOUBLE JOIST AT BRIDGING LOCATION

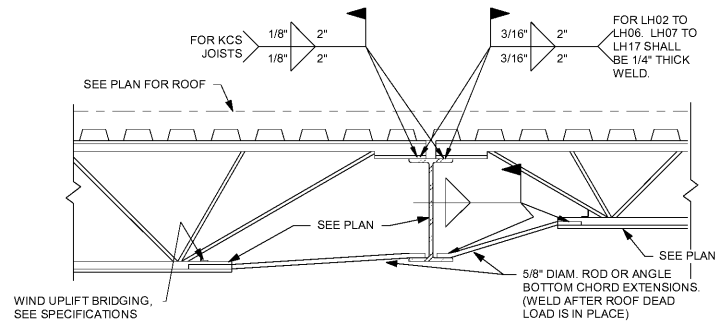
3" NORMAL WEIGHT CONCRETE SLAB ON 28 GAUGE CORRUGATED METAL FORM DECK WELDED TO JOIST THROUGH STANDARD 16 GAUGE CURVED WELDING WASHERS IN ACCORDANCE WITH THE PROJECT SPECIFICATIONS.

WHERE JOIST REST ON STEEL BEAMS, THEY SHALL BE WELDED AS SHOWN ABOVE. WHERE JOIST FRAME TO STEEL COLUMNS WHICH EXTEND ABOVE THE FLOOR, THE STEEL FABRICATOR SHALL PROVIDE A SHELF ANGLE 6" x 4" x 3/8" LONG LEG VERTICAL DOWN WELDED TO THE FACE OF THE COLUMN. PROVIDE A 1/4" TRIANGULAR STIFFENER PLATE CENTERED UNDER THE JOIST BEARING IN THE STEEL ANGLE. BOLT JOIST TO SHELF ANGLE WITH (2) - 1/2" DIAMETER A-325 BOLTS.

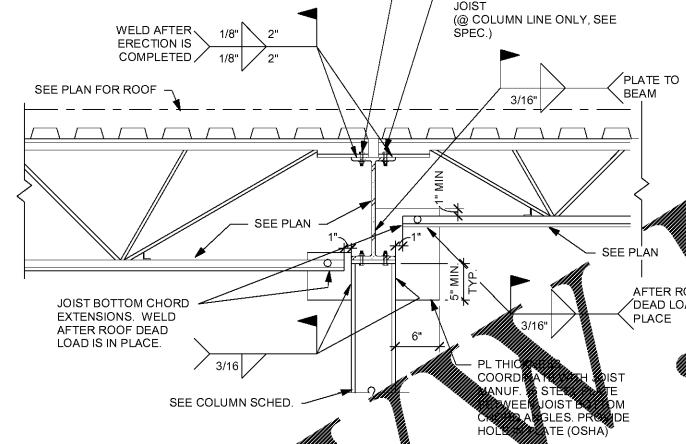
PROVIDE "X" TYPE BRIDGING AT ALL END CONDITIONS AT FLOOR AND AT EVERY 6TH JOIST SPACING MAXIMUM.

1 Typical Detail of Bar Joist Floor Construction

S5.2 3/4" = 1'-0"



BEAM DETAIL AT JOIST CLOSEST TO BEAM MIDSPAN

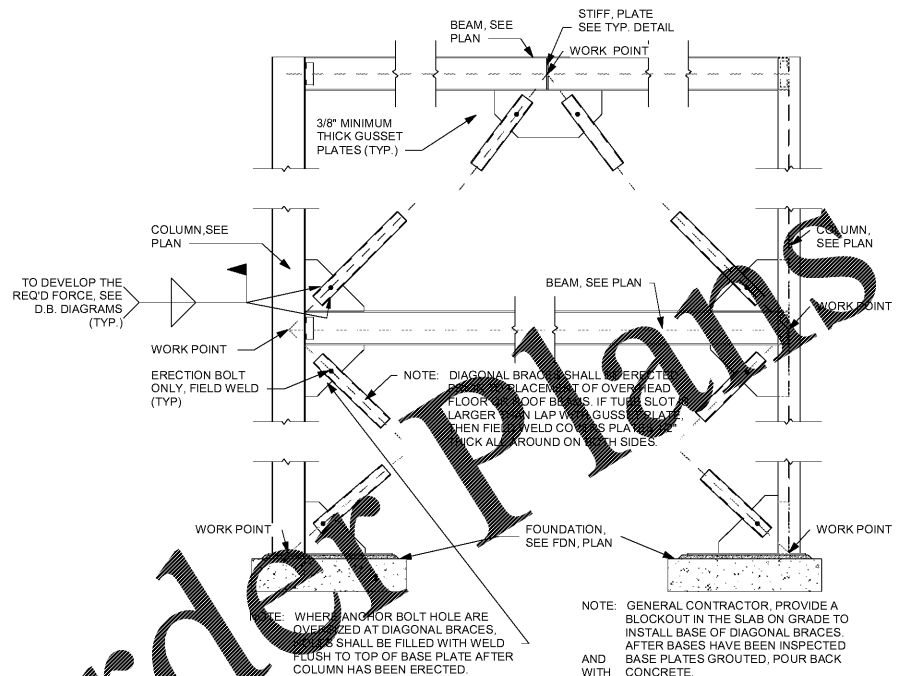


3 Typical Splice Point Detail

3 Typical Splice Point Detail S5.2 1" = 1'-0"

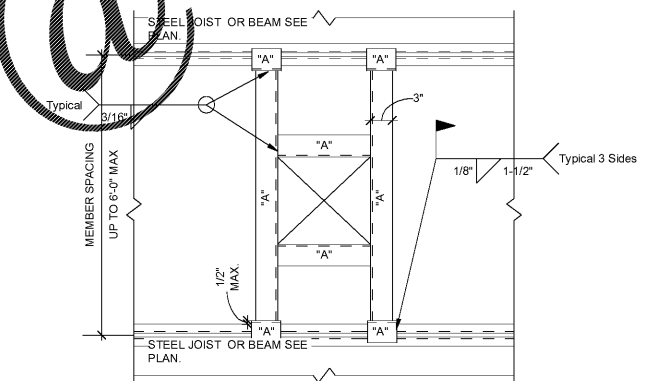
2 Typical Detail of Bar Joist Roof Construction

S5.2 1" = 1'-0"



4 Typical Diagonal Brace Construction and Work Points Detail

S5.2 8" = 1'-0"



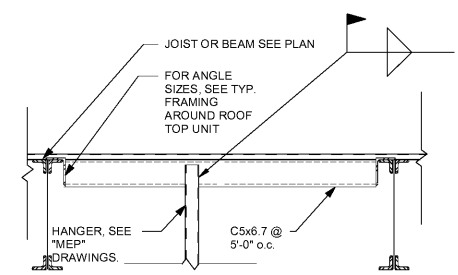
NOTE "A": INDICATES ANGLE 4" x 3" x 1/4", LONG LEG DOWN. WHERE BEAM SPACING IS 6'-1" AND GREATER, PROVIDE A W6 x 9 FOR THE "A" MEMBERS SPANNING BETWEEN THE JOIST OR BEAMS.

NOTE: GENERAL CONTRACTOR COORDINATE ROOF OPENING REQUIREMENTS WITH MECHANICAL, ELECTRICAL AND PLUMBING PLANS.

NOTE: PROVIDE AT ALL ROOF DRAIN LOCATIONS

5 Typical Framing Around Roof Opening Detail

S5.2 1" = 1'-0"



NOTE: DO NOT SUSPEND PIPING FROM ONE JOIST. (2 JOIST MINIMUM)

NOTE: WHEN PIPES ARE RUNNING PERPENDICULAR TO JOIST SUSPEND PIPE FROM EACH JOIST. MINIMUM PIPE SIZE 6" NIPAW

NOTE: WHEN PIPES RUN PARALLEL TO JOIST AND IS WITHIN 2 FEET OF A JOIST PROVIDE ADDITIONAL AX BRIDGING BETWEEN THE ADJACENT JOIST ON EITHER SIDE OF PIPE AT A SPACING TO MATCH THE HANGERS BUT NOT TO EXCEED 8'-0" o.c. MAX.

NOTE: WHEN PIPES RUN PARALLEL TO JOIST, DO NOT PLACE MULTIPLE PIPES BETWEEN (2) JOIST.

NOTE: WHERE CHANNEL SUPPORTS OR OTHER MISC. HANGERS OCCUR, AND THEY DO NOT OCCUR AT A JOIST TOP CHORD PANEL POINT, PROVIDE JOIST STIFFENING ANGLE PER TYPICAL DETAIL. (2X2X1/4" ANGLE)

6 Typical Support of Suspended Roof Pipes Parallel to Joist

S5.2 3/4" = 1'-0"

1/21/2019 8:44:05 AM

Order Plans

REVISIONS	NO.	DATE	COMMENTS
	01	15/19	Permit Set

RETAIL DEVELOPMENT
POP'S WINE & SPIRITS
 2-1764 TR A-B MCFARLAND 400 IND PARK
 MCFARLAND PKWY ALPHARETTA GA 30004

Typical Details (Steel)
 PROJ. NO.: 201812
 DATE: 01-15-19
 © 2019 ARCHPLAN DESIGN GROUP INC

S5.2