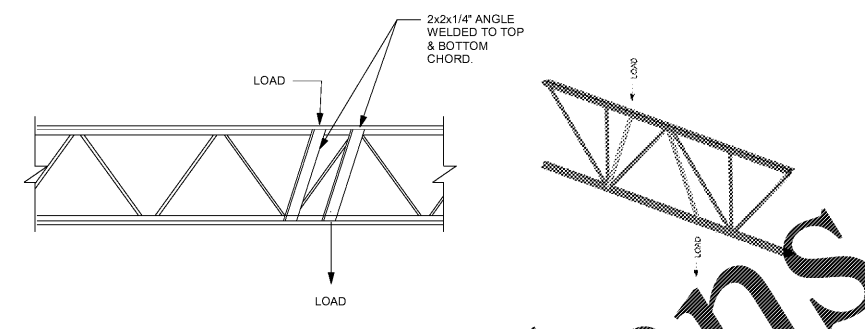
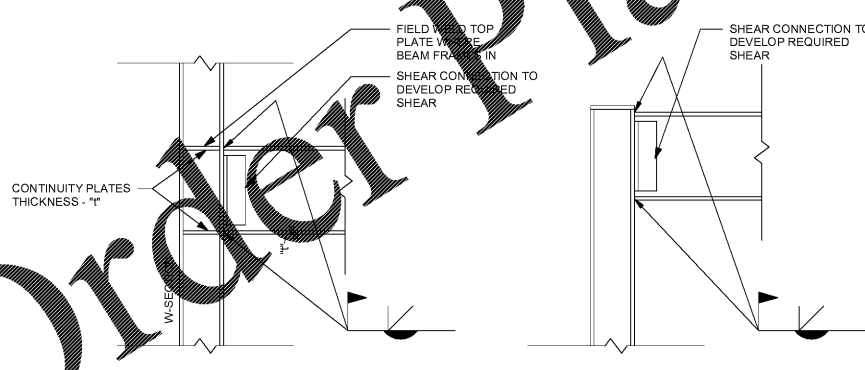


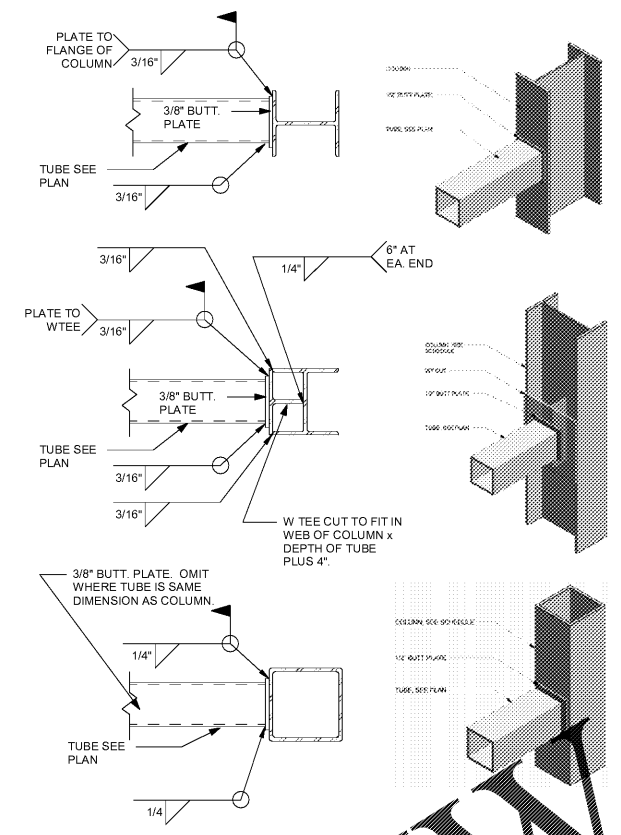
1 Typical Beam Stiffener at Steel Hangers or Steel Posts (U.N.O.)
 S5.1 3/4" = 1'-0"



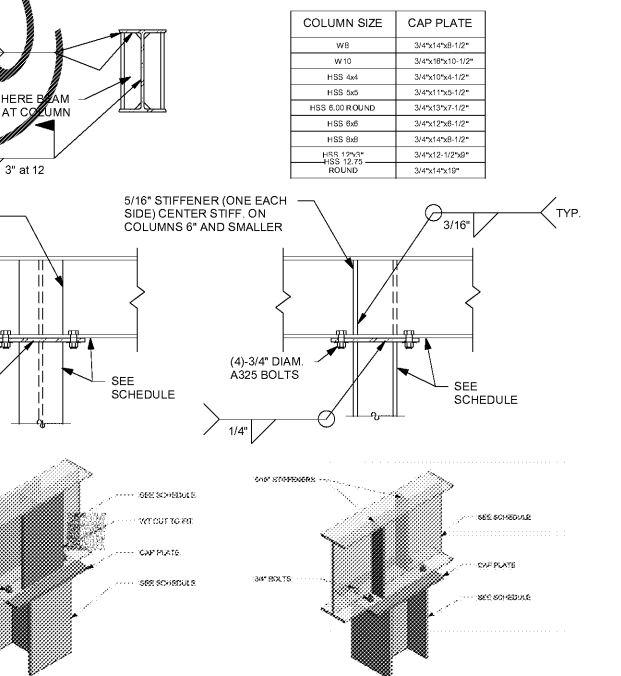
4 Typical Detail Where Load on Joist Occurs at Other than Panel Point
 S5.1 1" = 1'-0"



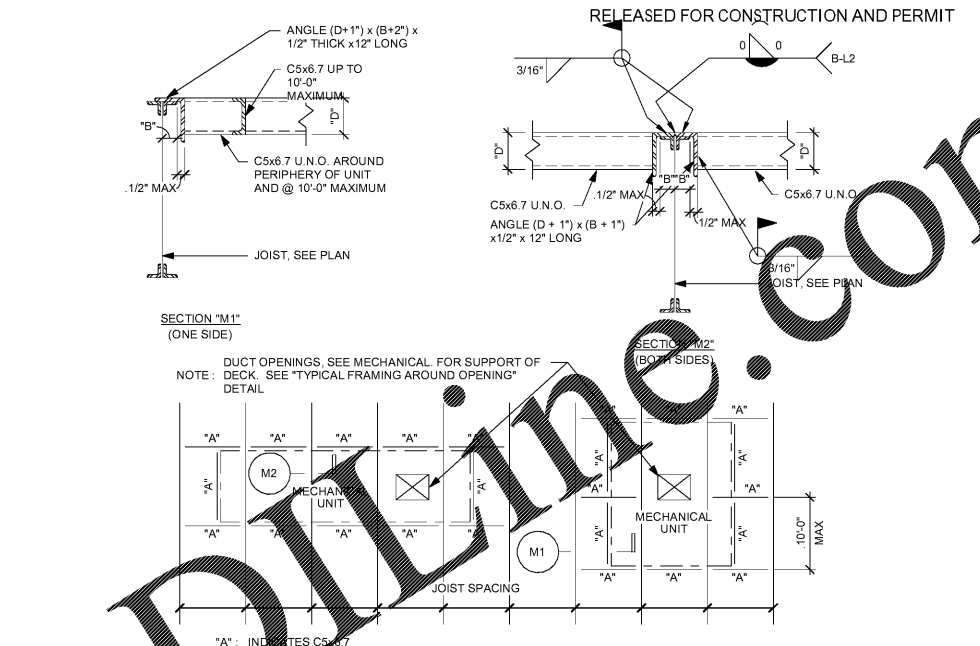
5 Typical Moment Connection of Steel Beam to Column
 S5.1 1" = 1'-0"



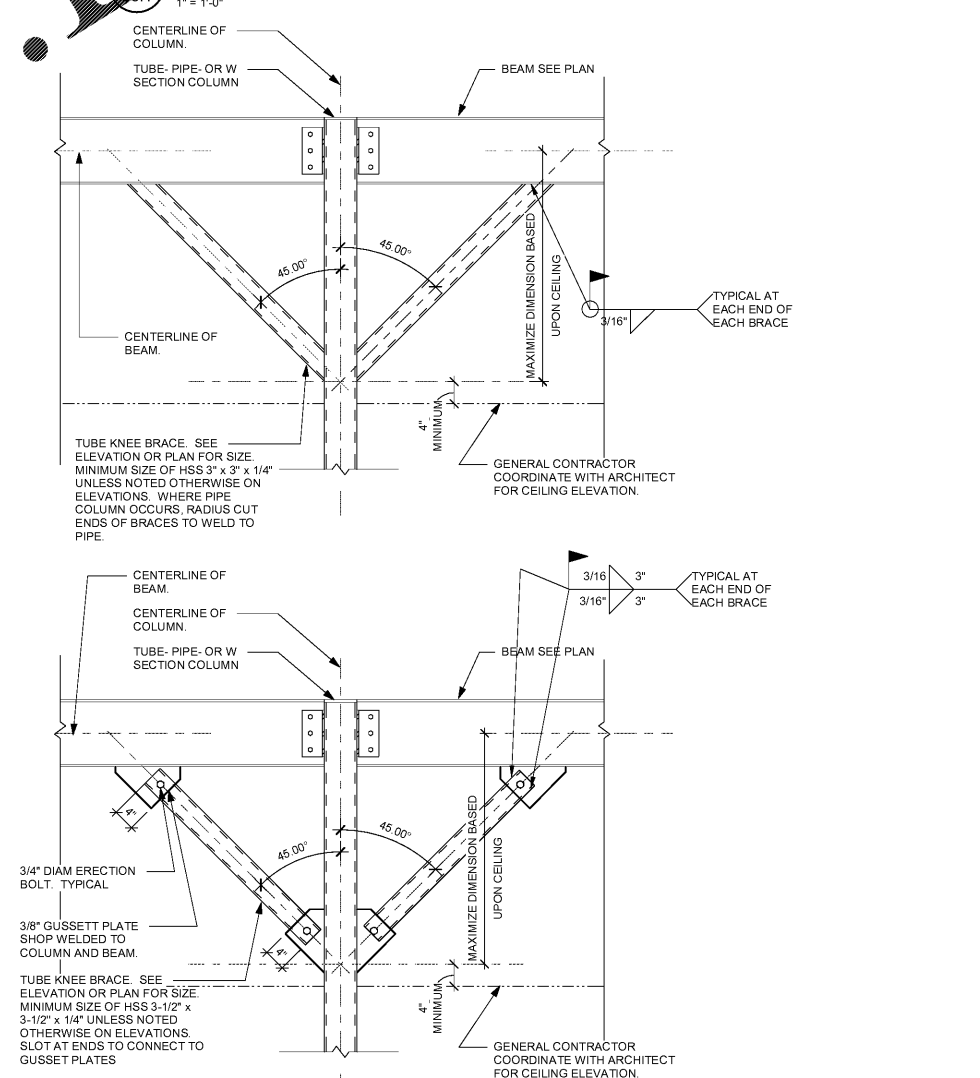
2 Typical Connection of Tube Steel to Steel Columns
 S5.1 1" = 1'-0"



6 Typical Cap Plate Detail
 S5.1 1" = 1'-0"



3 Typical Framing for Mechanical Units Detail
 S5.1 1" = 1'-0"



7 Typical Knee Brace Detail
 S5.1 3/4" = 1'-0"

REVISIONS	NO.	DATE	COMMENTS
	01	15/15	Permit Set

RETAIL DEVELOPMENT
POP'S WINE & SPIRITS
 2-1764 TR A-B MCFARLAND 400 IND PARK
 MCFARLAND PKWY ALPHARETTA GA 30004

Typical Details (Steel)
 PROJ. NO: 201812
 DATE: 01-15-19
 © 2018 ARCHPLAN DESIGN GROUP, INC

S5.1

1/21/2019 8:43:58 AM

Order Plans