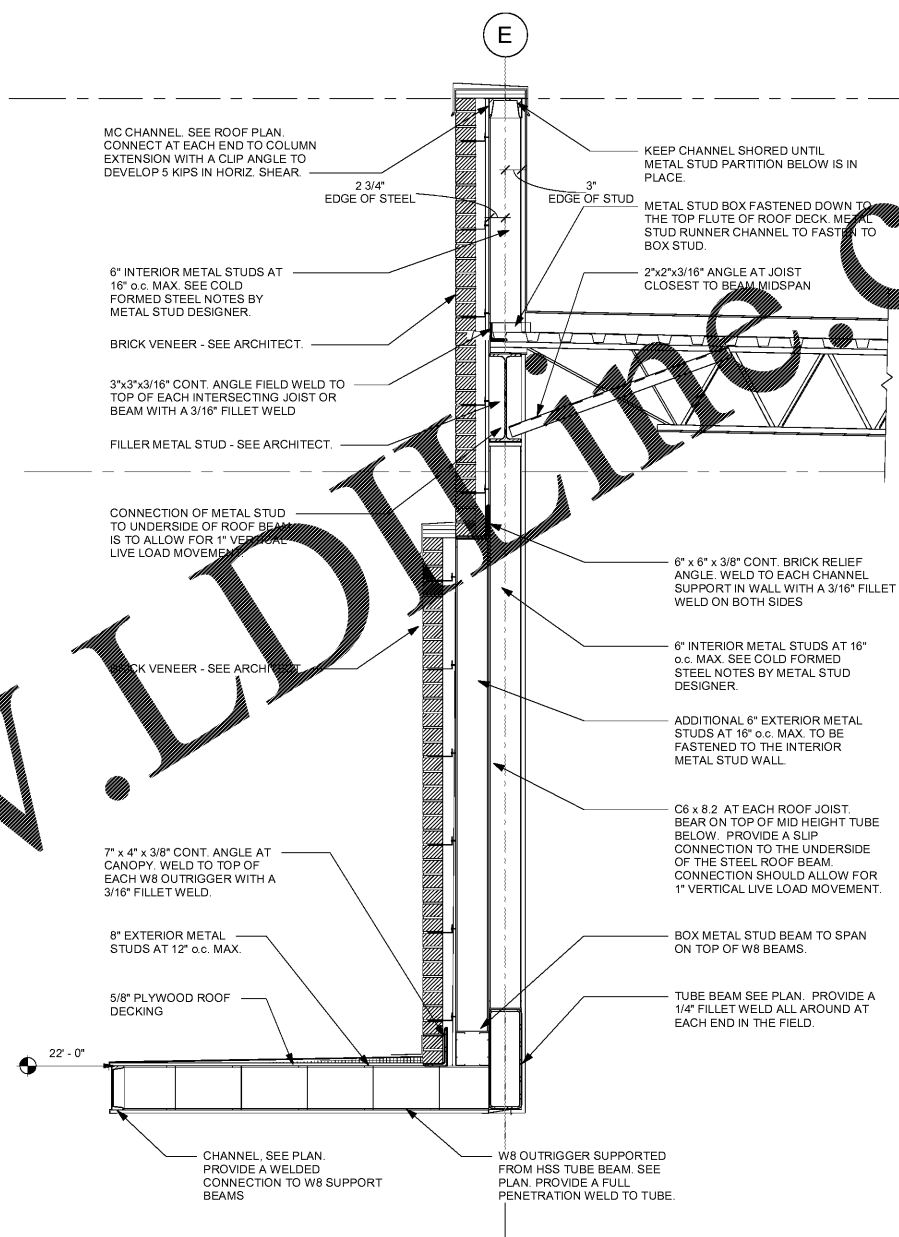


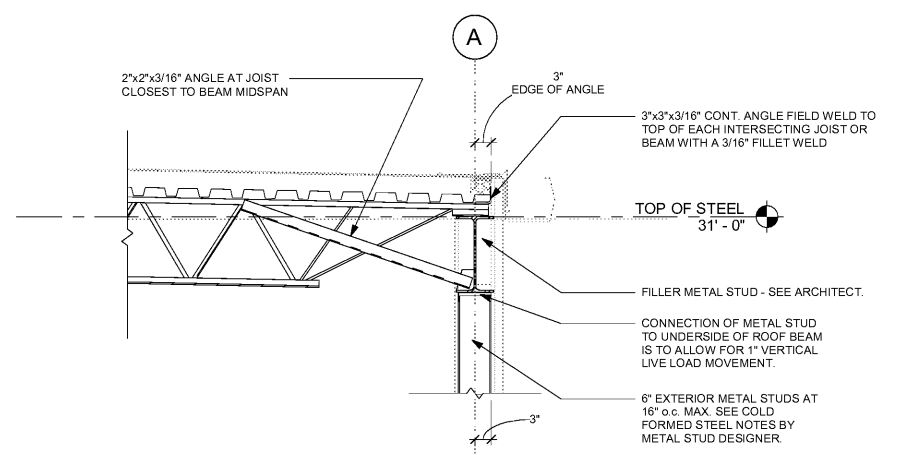
3 Section At Exterior Wall And Entrance Canopy

S4.4 3/4" = 1'-0"



1 Section At Exterior Wall And Canopy

S4.4 3/4" = 1'-0"



2 Section At Exterior Wall And Roof Gutter

S4.4 3/4" = 1'-0"

REVISIONS	NO.	DATE	COMMENTS
	1	01.15.19	Permit Set

RETAIL DEVELOPMENT
POP'S WINE & SPIRITS
 2-1764 TR A-B MCFARLAND 400 IND PARK
 MCFARLAND PKWY ALPHARETTA GA 30004

Sections

PROJ. NO.: 201812
 DATE: 01-15-19
 © 2019 ARCHPLAN DESIGN GROUP, INC.

S4.4

Order Plans @ WWW.LDLINE.COM