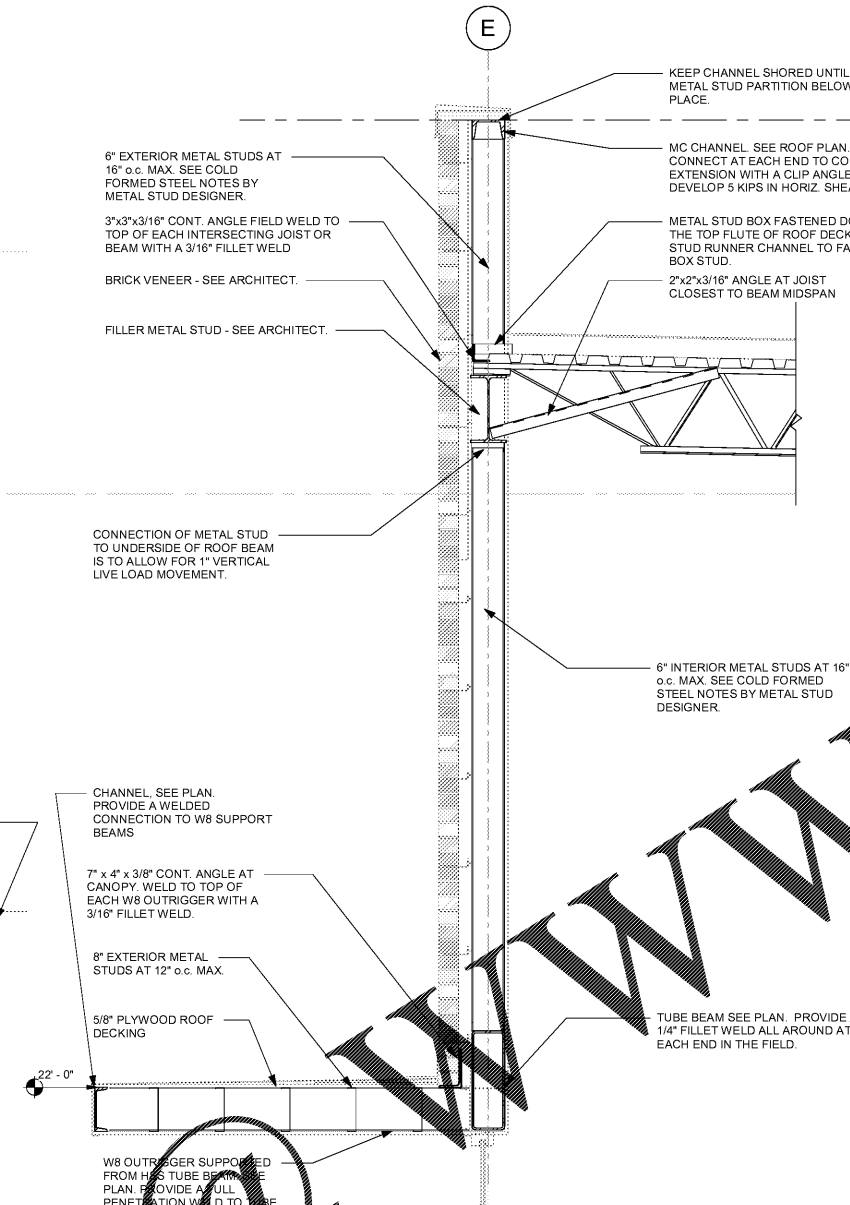
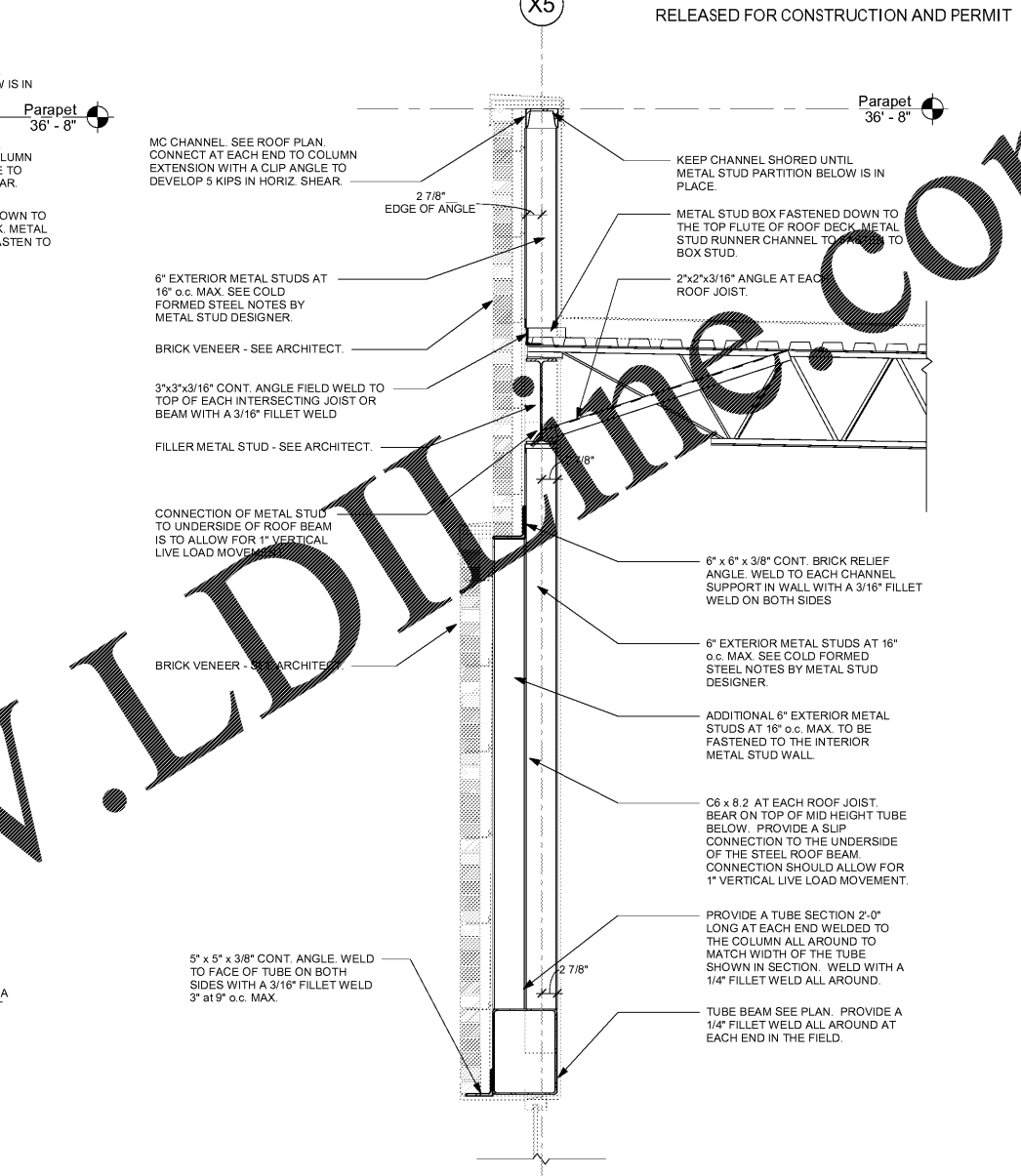


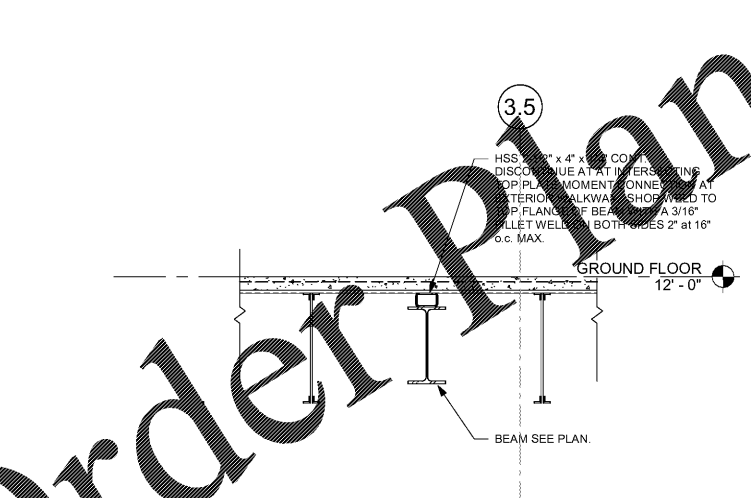
4 Section At Exterior Wall At Ground Floor And Mezzanine
S4.2 3/4" = 1'-0"



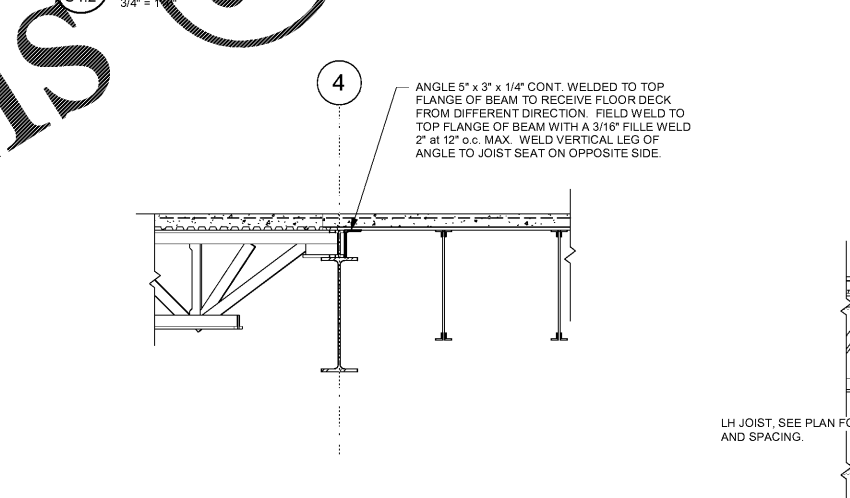
1 Section At Exterior Wall And Low Roof Canopy
S4.2 3/4" = 1'-0"



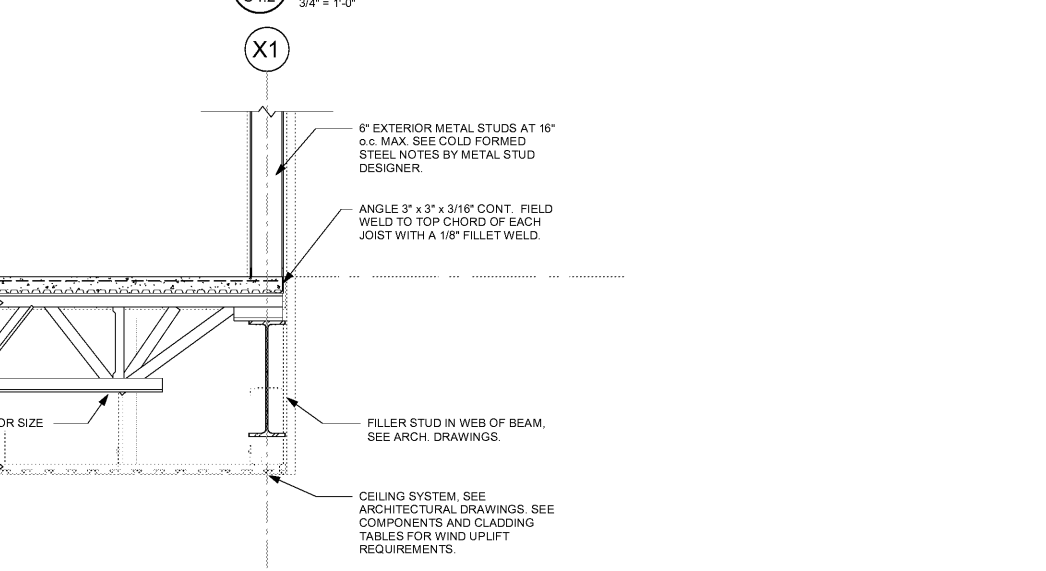
2 Section At Exterior Wall Along Grid X5
S4.2 3/4" = 1'-0"



3 Section At Floor And Tube To Support Floor Deck
S4.2 3/4" = 1'-0"



5 Section At Floor Deck Change In Direction
S4.2 3/4" = 1'-0"



6 Section At Perimeter Wall At Framed Floor
S4.2 3/4" = 1'-0"

REVISIONS	NO.	DATE	COMMENTS
	01	15-19	Permit Set

RETAIL DEVELOPMENT
POP'S WINE & SPIRITS
 2-1764 TR A-B MCFARLAND 400 IND PARK
 MCFARLAND PKWY ALPHARETTA GA 30004

Sections
 PROJ. NO. 201812
 DATE 01-15-19
 © 2019 ARCHPLAN DESIGN GROUP, INC.

S4.2

Order Plans