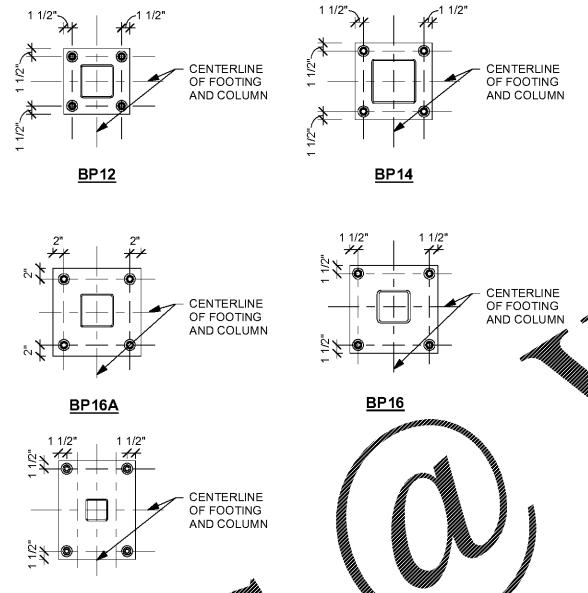


### STEEL COLUMN SCHEDULE

Level	A-1, X1-Y6	A-2	A-3	B-1	B-2	B-3	B-3.5	B-4	C-1	C-2, C-3, C-4	C-5	D-1	D-2, D-3, D-4, D-5, D-6	D-7, D-6	D-7	E-2, E-3, E-5	A-X	D-1'-1" X-Y5	D-7-X4(7' - 10 3/4")	E(0' - 6")-X3(9' - 7")	X1-Y4	X1-Y5
Parapet 36' - 8" TOP OF STEEL 31' - 0"																						
MEZZANINE 22' - 0"	HSS6X6X1/2			HSS6X6X1/2																		
GROUND FLOOR 12' - 0"	HSS6X6X1/2	HSS6X6X3/8		HSS6X6X1/2		HSS6X6X1/2		HSS6X6X1/2		HSS7X7X1/2				HSS12X6X1/4								
BASEMENT FLOOR 0' - 0"			HSS7X7X1/2	HSS6X6X1/2			HSS6X6X1/4															
Column Locations			A-1(5' - 5 1/2"), A-4(9' - 1 1/2")-1(5' - 5 1/2")																			

### STEEL COLUMN SCHEDULE

Level	X2-Y6	X3-Y2	X3-Y3, X3-Y5	X3-Y4	X3-Y6	X4-Y2, X4-Y3, X4-Y5	X4-Y4	X4-Y6	X5-Y1	X5-Y2, X5-Y3	X5-Y4, X5-Y5	X5-Y6
Parapet 36' - 8" TOP OF STEEL 31' - 0"												
MEZZANINE 22' - 0"												
GROUND FLOOR 12' - 0"												
BASEMENT FLOOR 0' - 0"												
Column Locations												



1 Baseplate Types  
S1.2 3/4"

### BASE PLATE SCHEDULE (36 KSI)

MARK	WIDTH	LENGTH	THICKNESS	HEADED ANCHOR BOLTS	LENGTH	EMBEDMENT	COUNT	Washer Dimension	Washer Thickness
BP12	12"	12"	3/4"	BOLT : 3/4"Ø	1' - 2"	0' - 9"	1		
BP14	14"	14"	1"	BOLT : 3/4"Ø	1' - 2"	0' - 9"	19		
BP16	16"	16"	1 1/2"	BOLT : 3/4"Ø	1' - 2"	0' - 9"	5		
BP16A	16"	16"	1 1/2"	BOLT : 1-1/2"Ø	1' - 2"	0' - 9"	16		
BP16C	16"	16"	1 1/2"	BOLT : 2"Ø	1' - 2"	0' - 9"	3		
BP1418	14"	18"	3/4"	BOLT : 3/4"Ø	2' - 1"	1' - 8"	9		

REVISIONS	NO.	DATE	COMMENTS
	01	15/19	Permit Set

**RETAIL DEVELOPMENT**  
**POP'S WINE & SPIRITS**  
 2-1764 TR A-B MCFARLAND 400 IND PARK  
 MCFARLAND PKWY ALPHARETTA GA 30004

Schedules & Notes  
 PROJ. NO: 201812  
 DATE: 01-15-19  
 © 2019 ARCHPLAN DESIGN GROUP INC

Order Plans @ WWW.LDLINE.COM