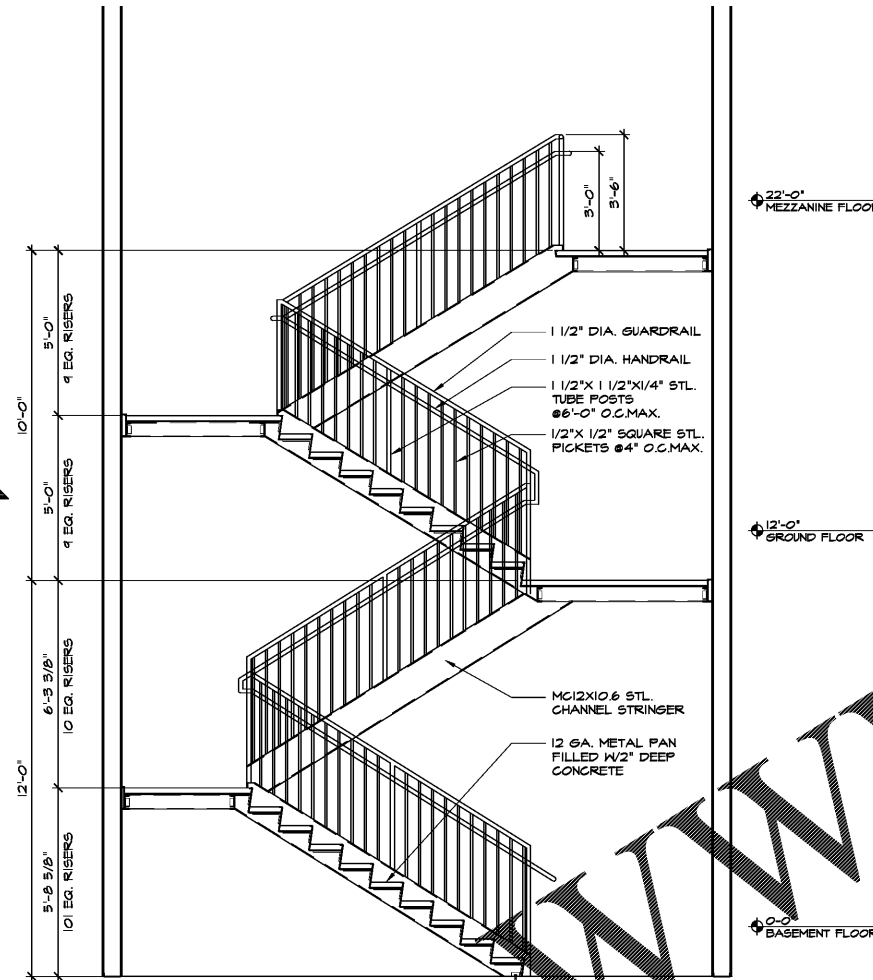
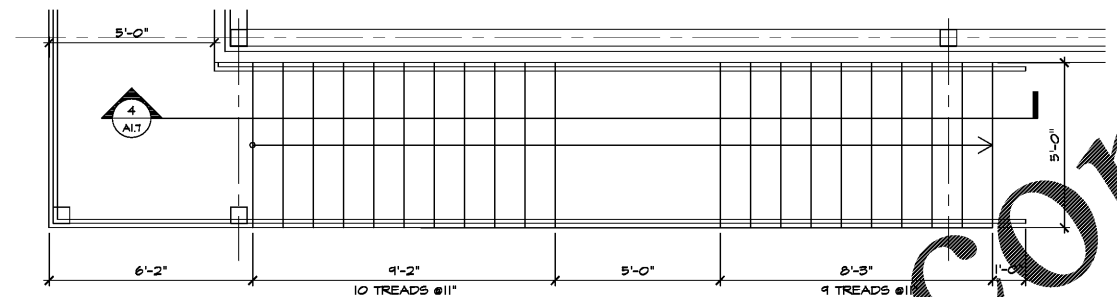


**1 STAIR PLAN @ STORAGE #609**  
SCALE 3/8" = 1'-0"



**2 STAIR SECTION @ STORAGE #609**  
SCALE 3/8" = 1'-0"



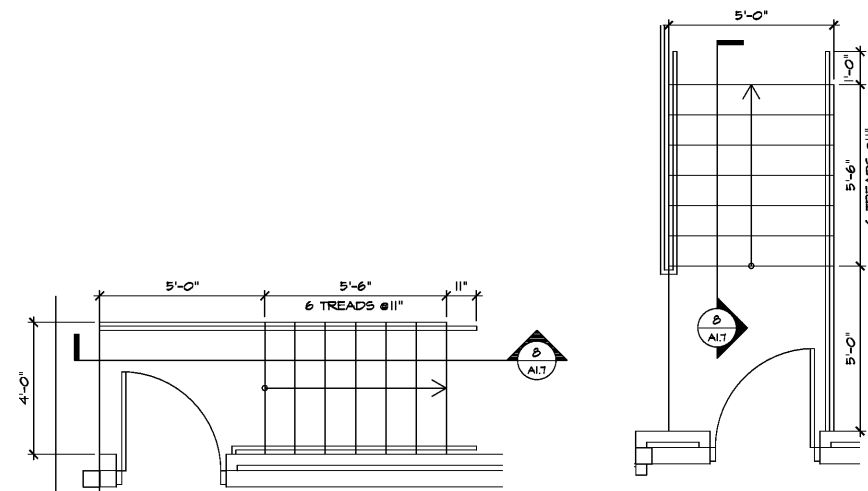
**3 STAIR PLAN @ SIDE**  
SCALE 3/8" = 1'-0"



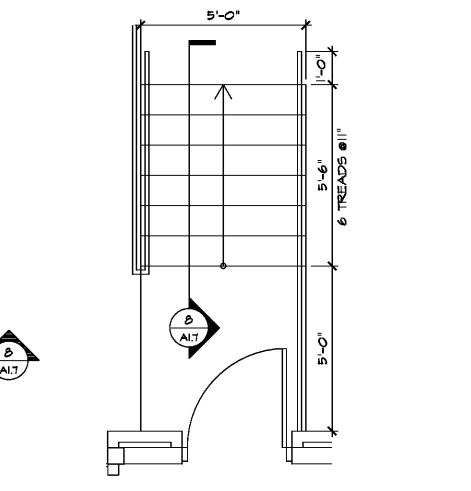
**4 STAIR SECTION @ SIDE**  
SCALE 3/8" = 1'-0"



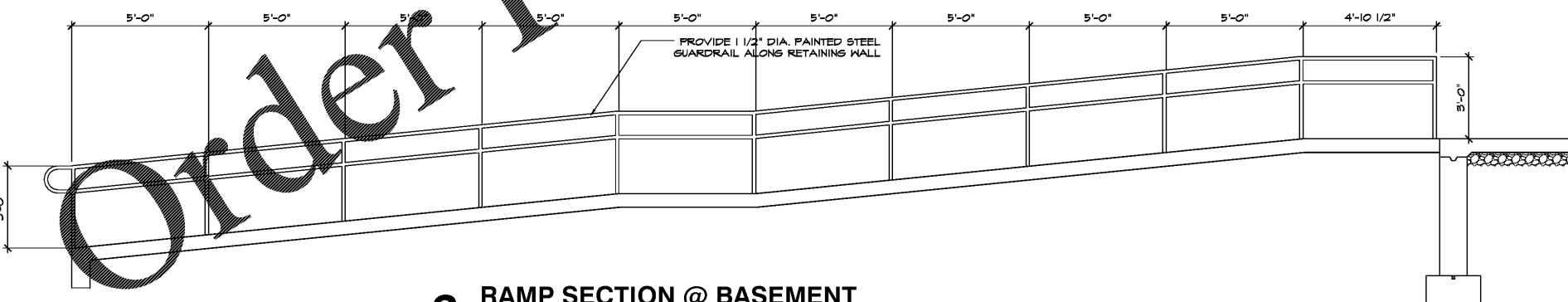
**5 RAMP PLAN @ BASEMENT**  
SCALE 3/8" = 1'-0"



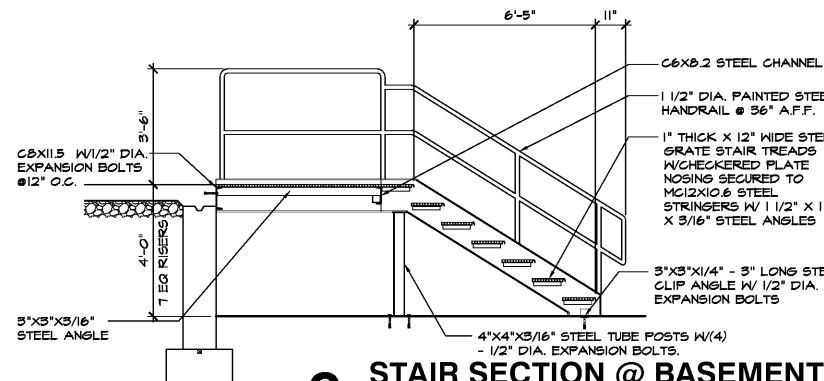
**7 STAIR PLAN @ BASEMENT**  
SCALE 3/8" = 1'-0"



**8 STAIR PLAN @ BASEMENT**  
SCALE 3/8" = 1'-0"



**6 RAMP SECTION @ BASEMENT**  
SCALE 3/8" = 1'-0"



**9 STAIR SECTION @ BASEMENT**  
SCALE 3/8" = 1'-0"

REV.	NO.	DATE	DESCRIPTION

RETAIL DEVELOPMENT  
**POP'S WINE & SPIRITS**  
2-1764 TR A-B MCFARLAND 400 IND PARK  
ALPHARETTA GA 30004

STAIR DETAILS  
DATE: 01/20/2019  
PROJ. NO: 201834