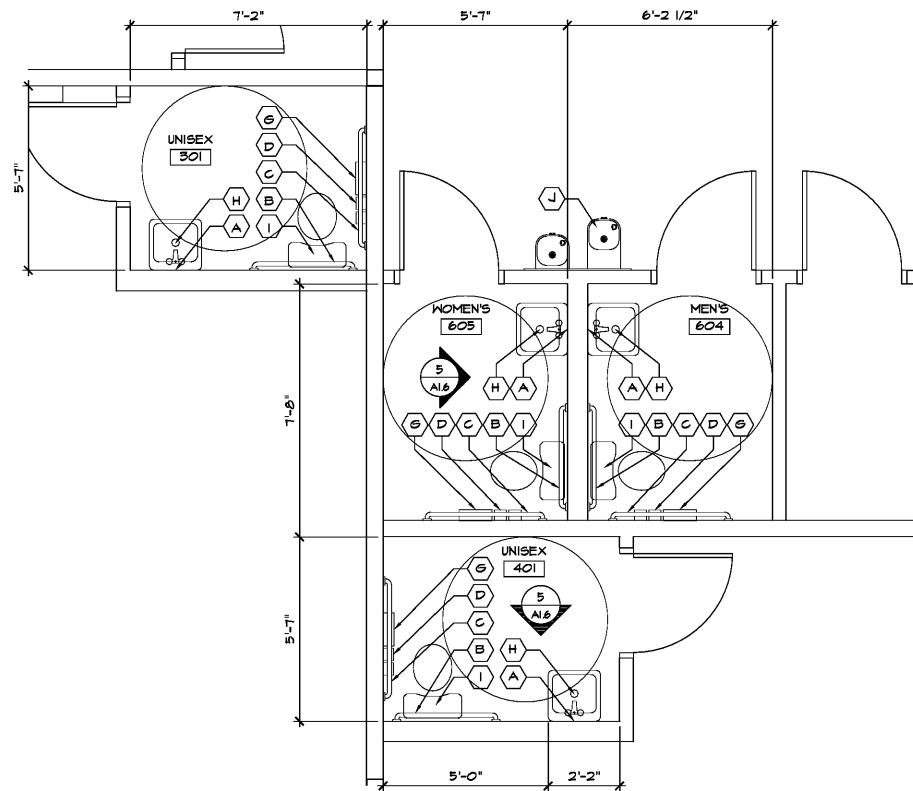
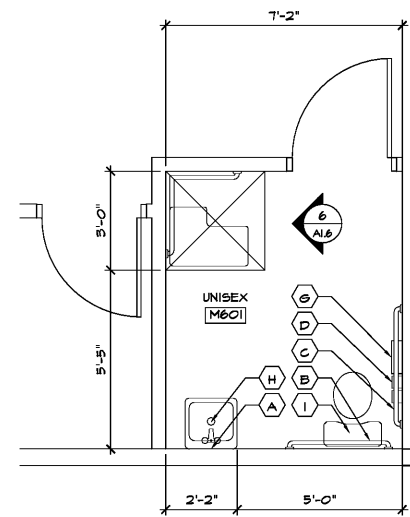


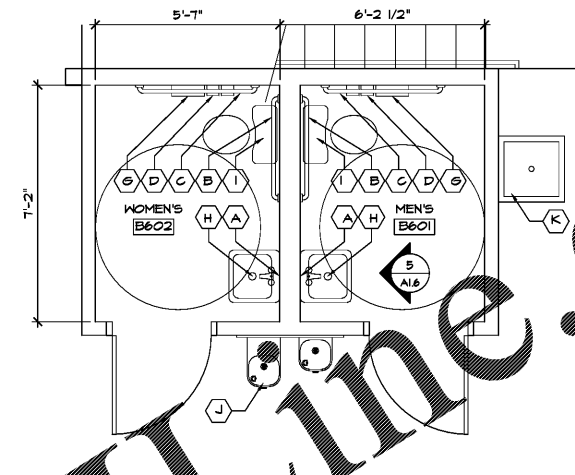
1 RESTROOM PLAN
SCALE 3/8" = 1'-0"



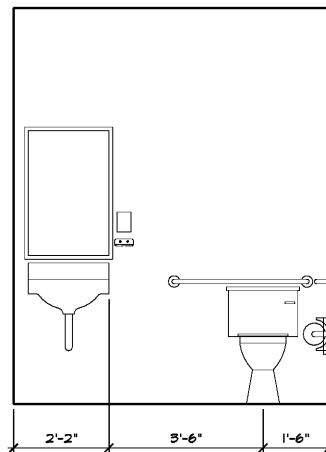
2 RESTROOM PLAN
SCALE 3/8" = 1'-0"



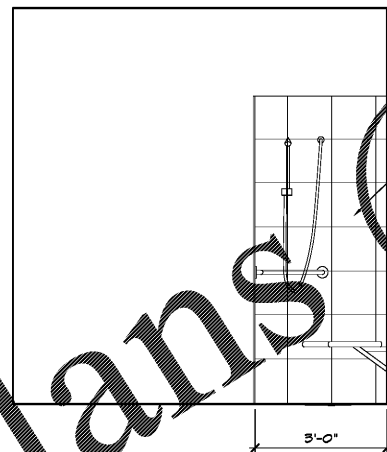
3 RESTROOM PLAN
SCALE 3/8" = 1'-0"



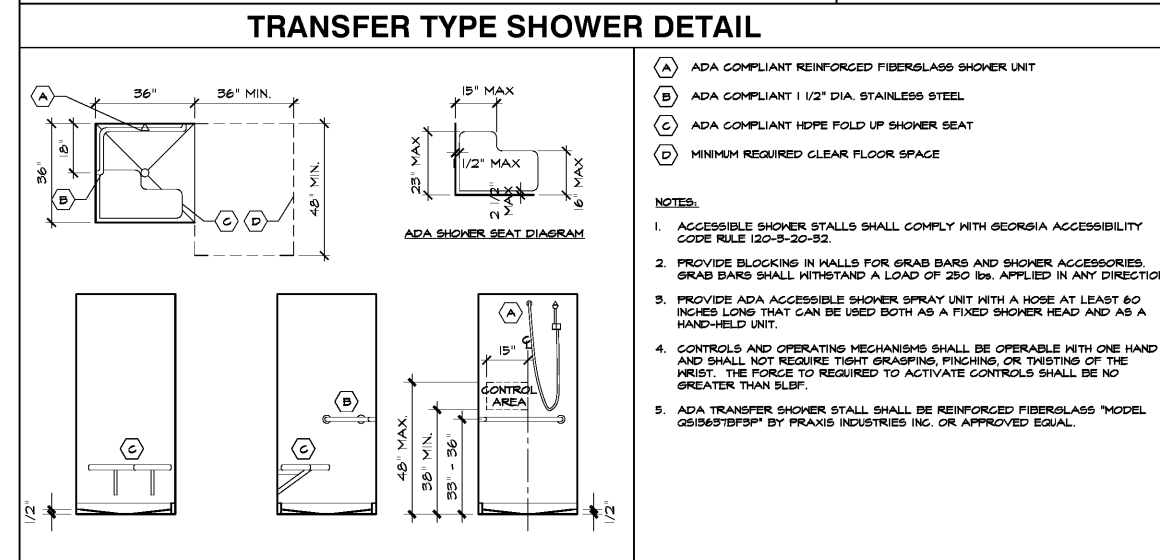
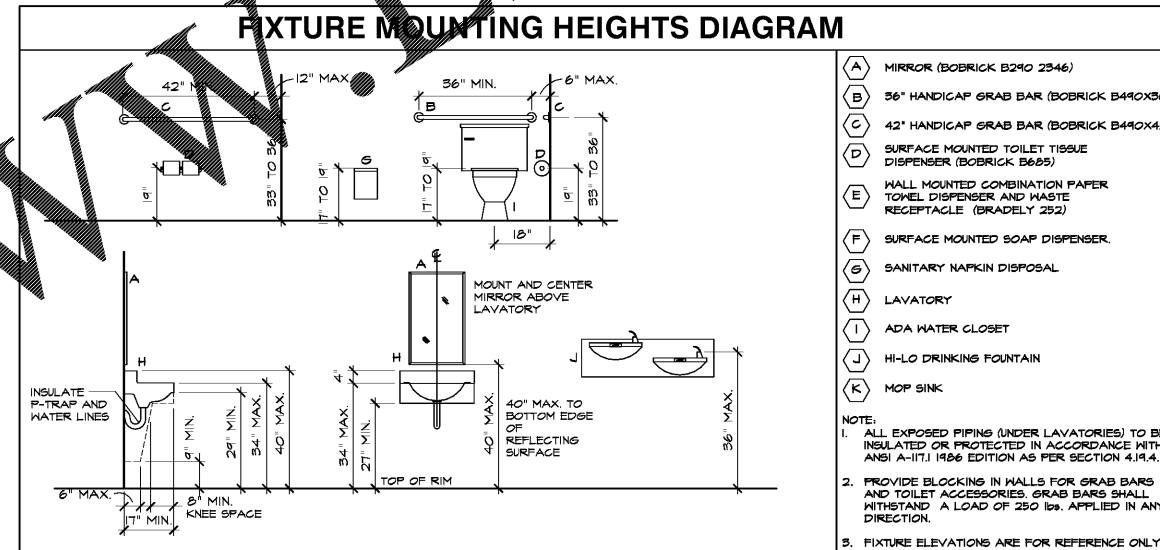
4 RESTROOM PLAN
SCALE 3/8" = 1'-0"



5 ELEVATION
SCALE 1/2" = 1'-0"



6 ELEVATION
SCALE 1/2" = 1'-0"



REVISIONS	NO.	DATE	DESCRIPTION

RETAIL DEVELOPMENT
POP'S WINE & SPIRITS
2-1764 TR A-B MCFARLAND 400 IND PARK
ALPHARETTA GA 30004

RESTROOM PLANS AND ELEVATIONS
PROJ. NO: 201834
DATE: 01/20/2019

A1.6

Order Plans @ www.wineplans.com