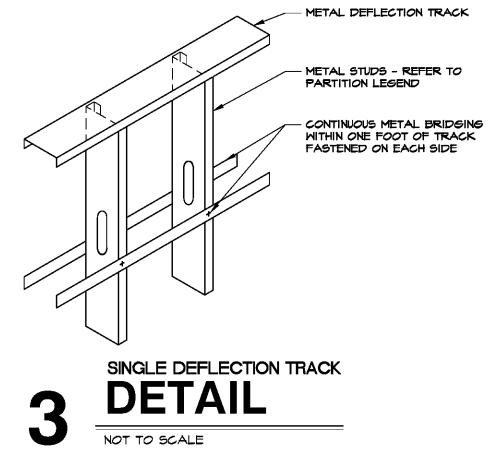
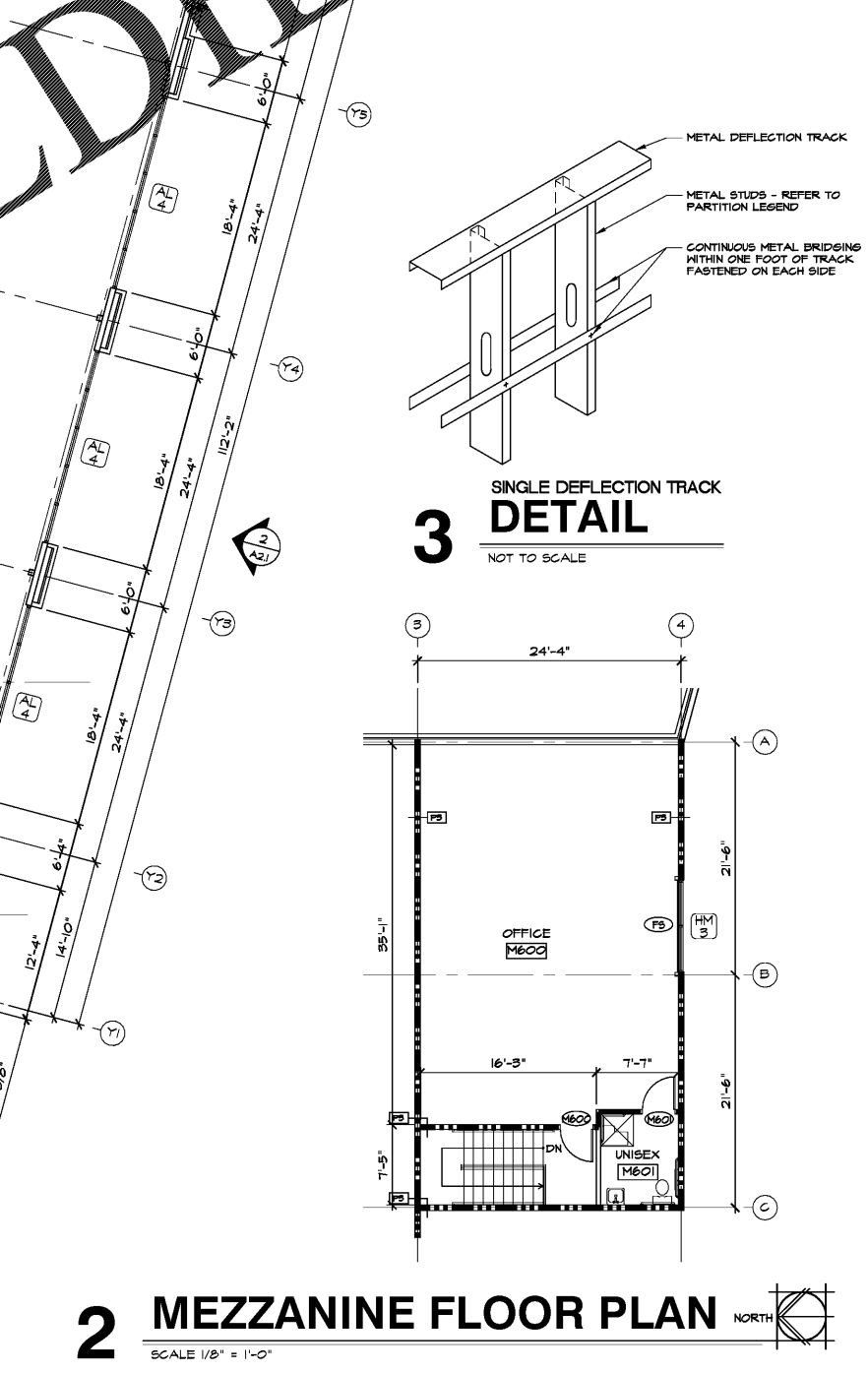
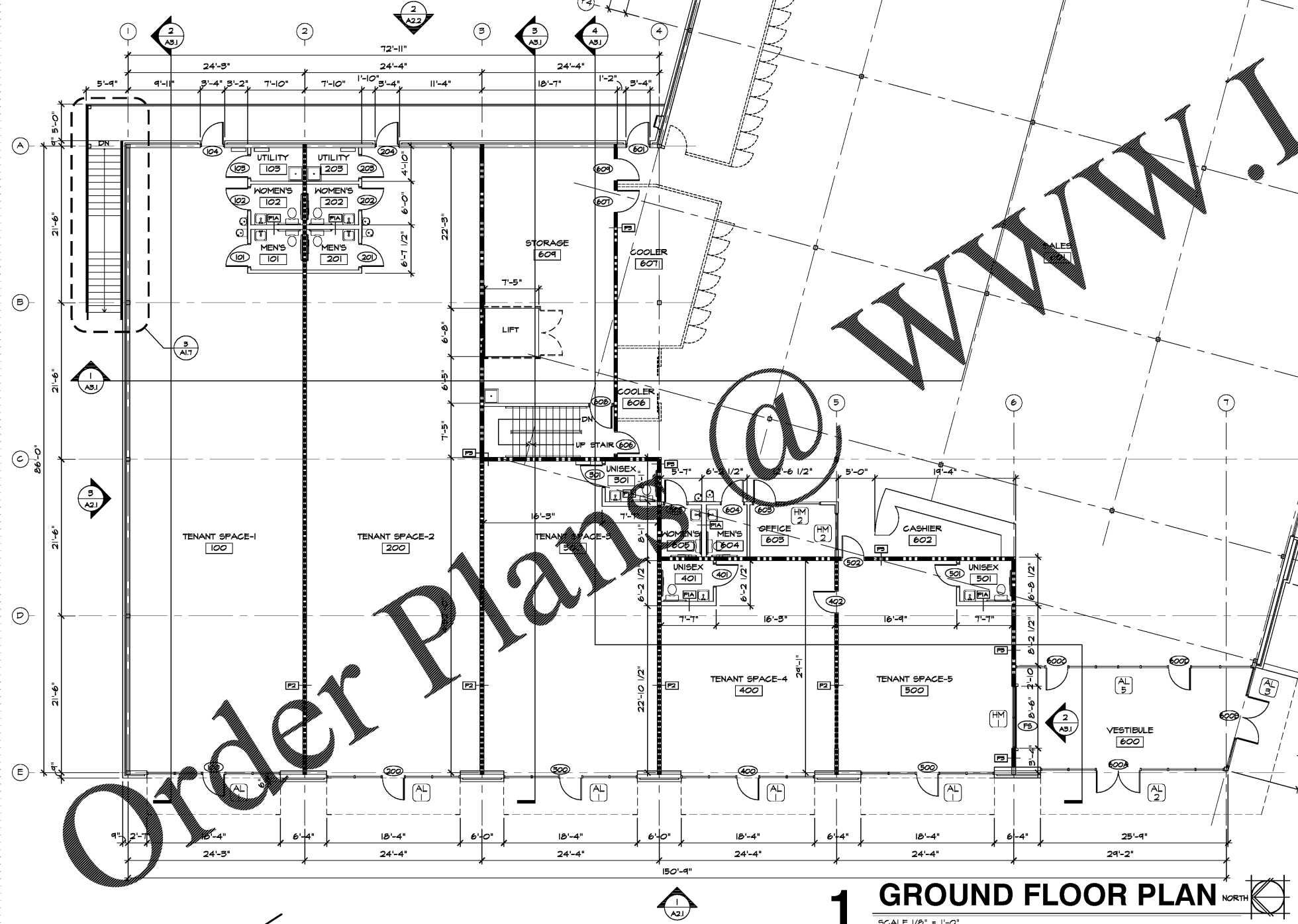


INTERIOR PARTITION TYPES	
MARK: [P1]	HEIGHT: EXTEND TO DECK ABOVE ASSEMBLY: ONE (1) LAYER OF 5/8" GYPSUM WALL BOARD APPLIED AT RIGHT ANGLES OR PARALLEL TO EACH SIDE OF 3 5/8" METAL STUD AT 16" O.C. WITH 1" TYPE "S" SCREWS AT 8" O.C. TO VERTICAL EDGES AND 12" O.C. TO TOP AND BOTTOM RUNNERS AND INTERMEDIATE STUDS. MODIFIER: [P1A]. SAME AS "P1" EXCEPT, WITH 6" METAL STUD ALL PARTITION TYPES ARE [P1] UNLESS NOTED OTHERWISE.
MARK: [P2]	HEIGHT: EXTEND TO DECK ASSEMBLY: ONE (1) LAYER OF TYPE X 5/8" GYPSUM WALL BOARD APPLIED AT RIGHT ANGLES OR PARALLEL TO EACH SIDE OF 6" METAL STUD AT 16" O.C. WITH 1" TYPE "S" SCREWS AT 8" O.C. TO VERTICAL EDGES AND 12" O.C. TO TOP AND BOTTOM RUNNERS AND INTERMEDIATE STUDS.
MARK: [P3]	HEIGHT: EXTEND TO DECK ASSEMBLY: TWO (2) LAYERS OF TYPE X 5/8" GYPSUM WALL BOARD APPLIED AT RIGHT ANGLES OR PARALLEL TO EACH SIDE OF 6" METAL STUD AT 16" O.C. WITH 1" TYPE "S" SCREWS AT 8" O.C. TO VERTICAL EDGES AND 12" O.C. TO TOP AND BOTTOM RUNNERS AND INTERMEDIATE STUDS.

LEGEND	
	NON RATED PARTITION
	1 HR FIRE PARTITION
	2 HR FIRE BARRIER
	WINDOW MARKS
	ROOM NUMBERS
	DOOR NUMBERS
	DETAIL MARKS
	ELEVATION SECTION



NO.	DATE	DESCRIPTION

**GROUND AND MEZZANINE FLOOR PLAN**  
**RETAIL DEVELOPMENT**  
**POP'S WINE & SPIRITS**  
 2-1764 TR A-B MCFARLAND 400 IND PARK  
 ALPHARETTA GA 30004  
 PROJ. NO: 201834  
 DATE: 01/20/2019  
**A1.2**