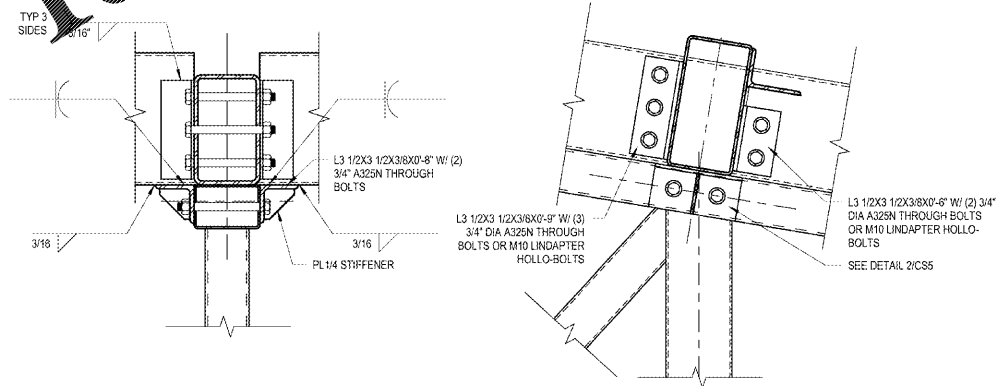
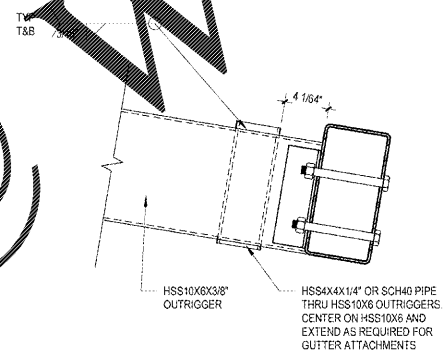


Order Plans

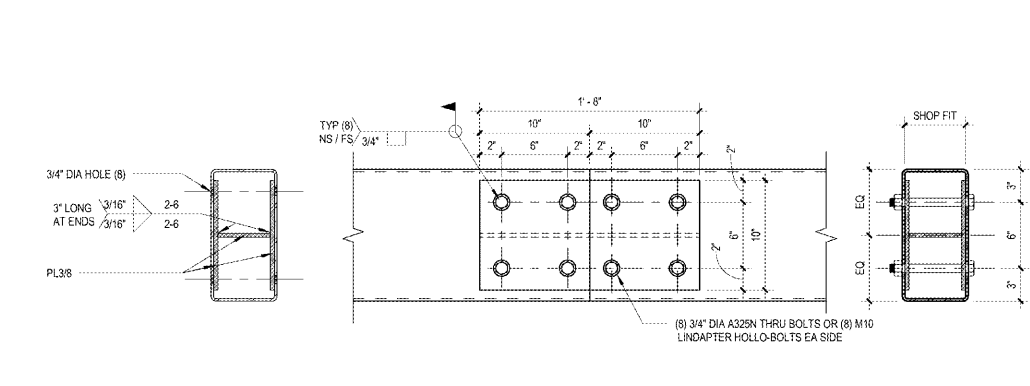
5 LOW REAR OUTRIGGER TO TRUSS CONNECTION
CS5 1 1/2" = 1'-0"



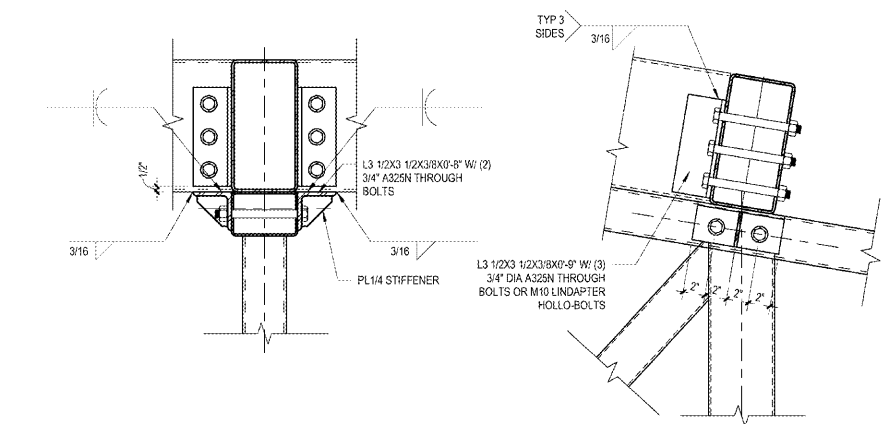
6 LOW REAR OUTRIGGER TO TRUSS CONNECTION
CS5 1 1/2" = 1'-0"



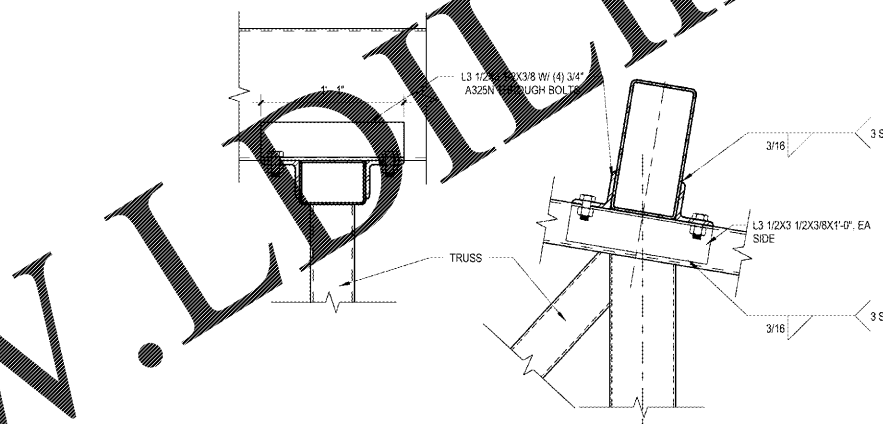
1 HSS FIELD SPLICE
CS5 1 1/2" = 1'-0"



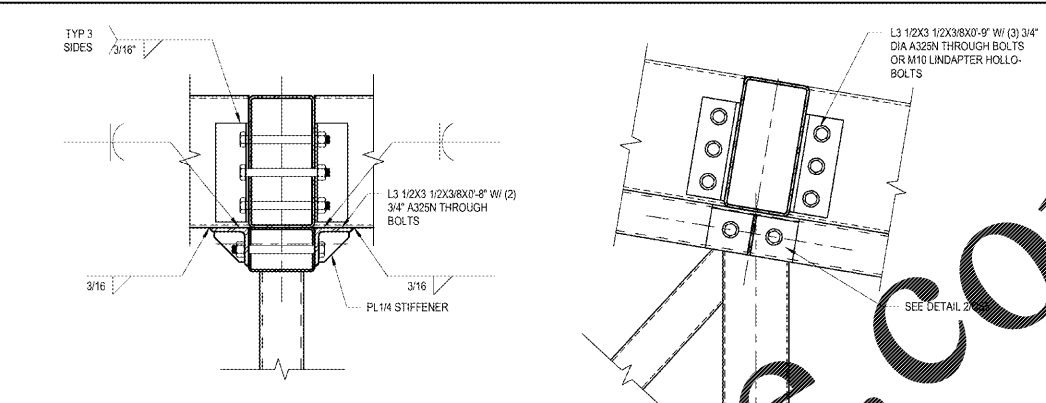
2 OUTRIGGER TO TRUSS CONNECTION
CS5 1 1/2" = 1'-0"



3 TRUSS TO PURLIN CONNECTION
CS5 1 1/2" = 1'-0"



4 HIGH OUTRIGGER TO TRUSS CONNECTION
CS5 1 1/2" = 1'-0"



No.	Description	Date
2-180130	PROJECT NO.	09/21/2018
	DATE	09/21/2018
	PERMIT SET	01/29/2019
	REV 2018 01	01/29/2019
	BID SET	01/29/2019

CS5

CLIENT NAME	PROJECT NAME
WAWA	STRAIGHT 6 GAS CAN. 2018.01-MA
260 W. BALTIMORE PIKE	STORE #8647-PMH
WAWA, PA 19063	PARRHAM RD. & THREE CHOPT RD.
	HENRICO, VA

DETAILS

4
Chhacri & Peterson
Architects Engineers Planners

1925 Prospect Ave.
Oxford, PA 17003
(407) 663-1100
(407) 663-9101
www.c-p.com