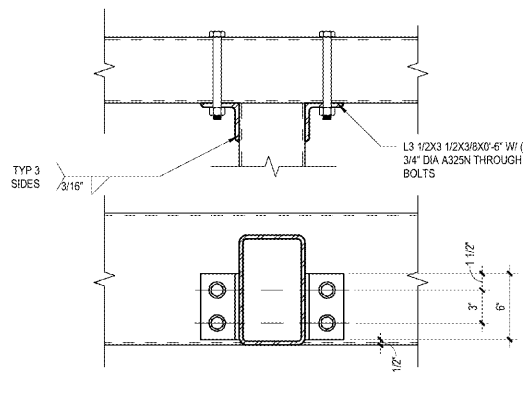
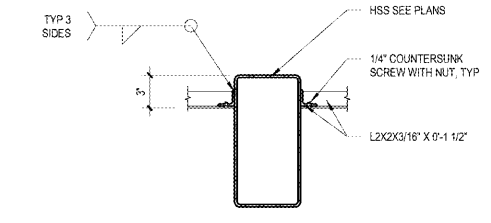


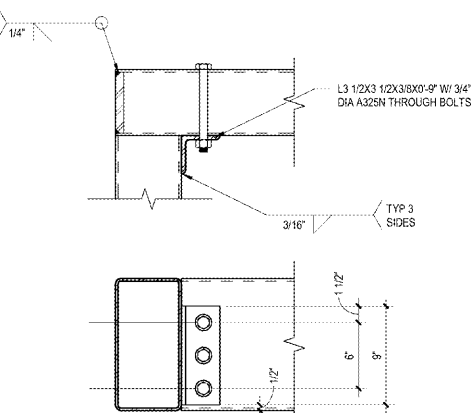
10 HIGH HSS TO HSS CONNECTION
CS4 1 1/2" = 1'-0"



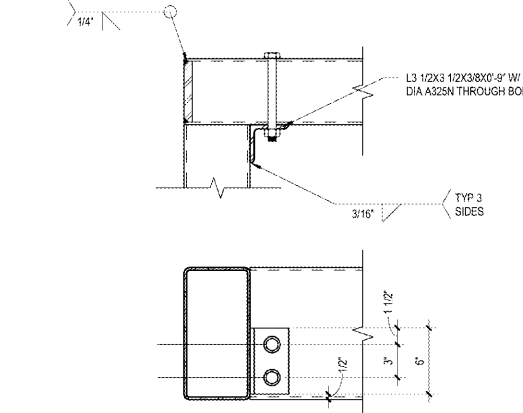
8 LOW HSS TO HSS CONNECTION
CS4 1 1/2" = 1'-0"



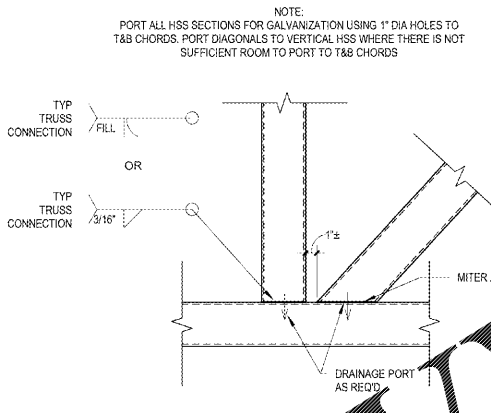
5 MISC FRAMING AS REQ'D
CS4 1 1/2" = 1'-0"



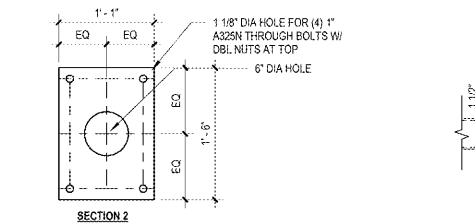
9 PERIMETER TUBE AT CORNER CONNECTION (HIGH SIDE)
CS4 1 1/2" = 1'-0"



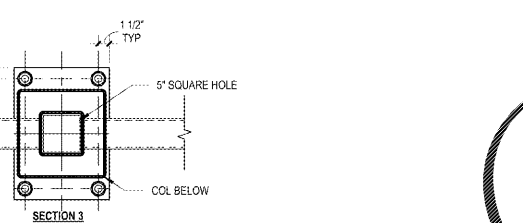
7 PERIMETER TUBE AT CORNER CONNECTION (LOW SIDE)
CS4 1 1/2" = 1'-0"



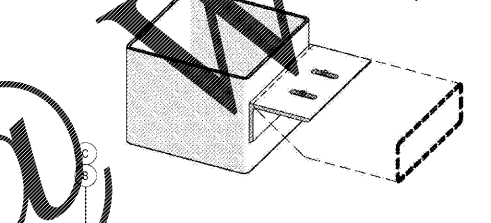
4 TRUSS CONNECTION WELDS TYP
CS4 1 1/2" = 1'-0"



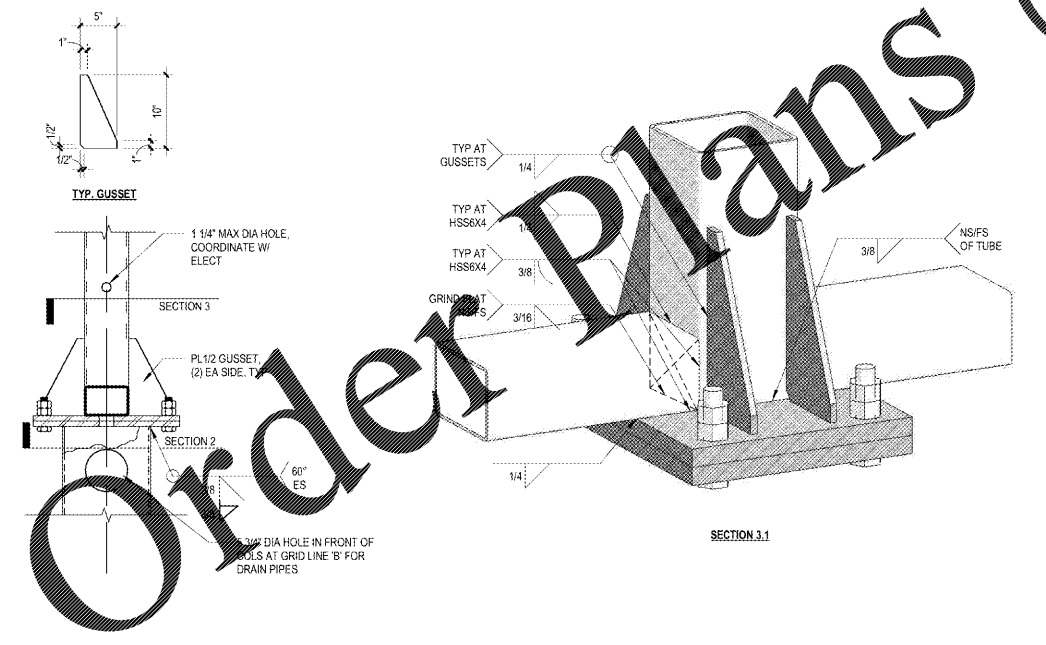
6 COLUMN TO TRUSS CONNECTION
CS4 1" = 1'-0"



6 COLUMN TO TRUSS CONNECTION
CS4 1" = 1'-0"

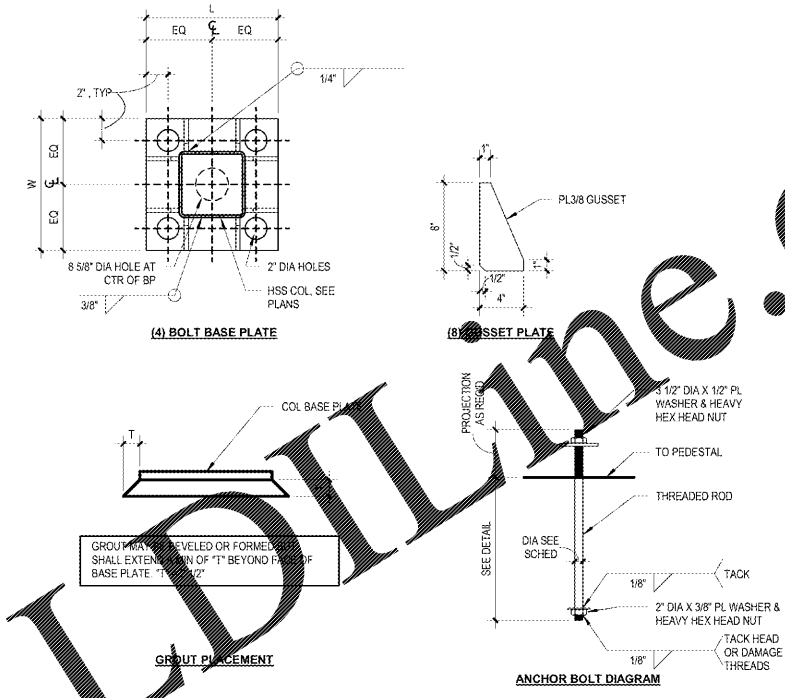


3 SIGNAGE SUPPORT
CS4 1" = 1'-0"

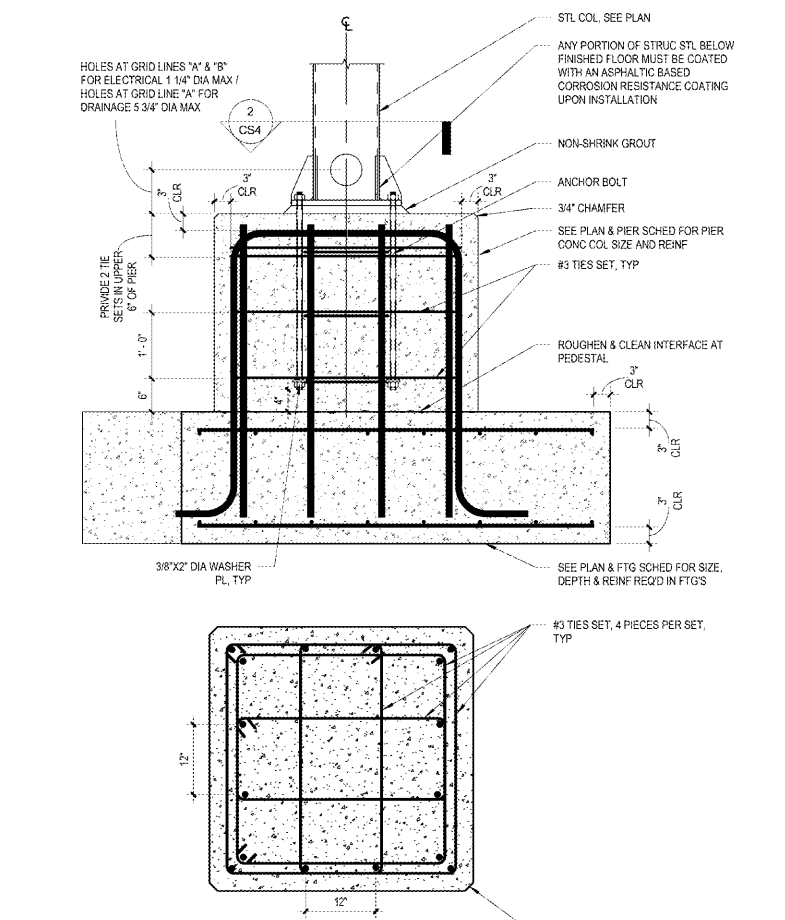


6 COLUMN TO TRUSS CONNECTION
CS4 1" = 1'-0"

Order Plans



2 GEN BASE PLATE AND ANCHOR BOLT INFO
CS4 1 1/2" = 1'-0"



1 FOUNDATION DETAIL
CS4 3/4" = 1'-0"

1925 Prospect Ave.
Owensboro, KY 40314
(407) 663-1100
(407) 663-9101
www.lpdonline.com

4
Chauci & Peterson
Architects Engineers Planners

CLIENT NAME
WAWA
260 W. BALTIMORE PIKE
WAWA, PA 19063

PROJECT NAME
STRAIGHT 6 GAS CAN. 2018.01-MA
STORE #8647-PHM
PARRHAM RD. & THREE CHOPT RD.
HENRICO, VA

NO. Description Date
1 PERMIT SET 09/21/2018
A REV 2018 01 01/29/2019
BID SET 01/29/2019

PROJECT NO. 2180130
DATE 09-21-2018
DRAWN RC
CHECKED JI

CS4

DETAILS

CS4