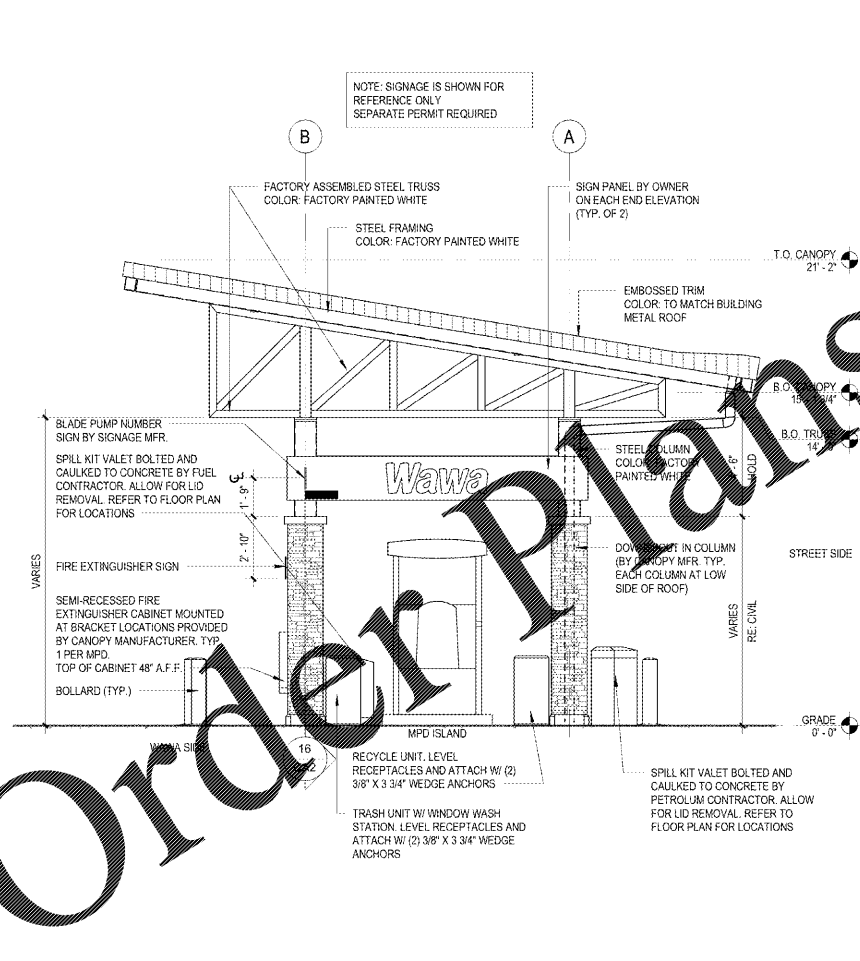
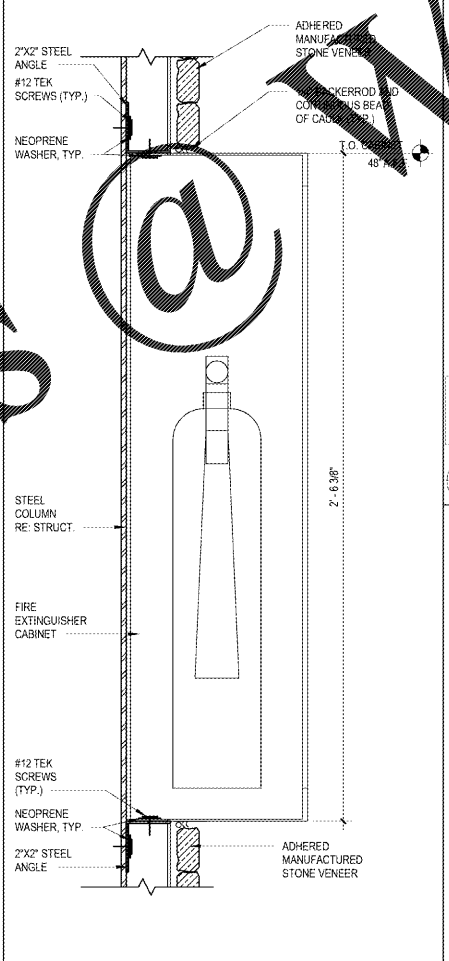


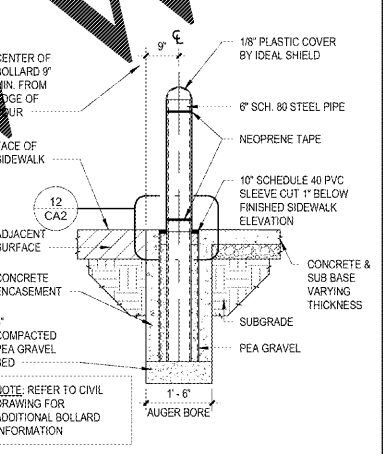
10 CANOPY ROOF PLAN
CAZ 1/8" = 1'-0"



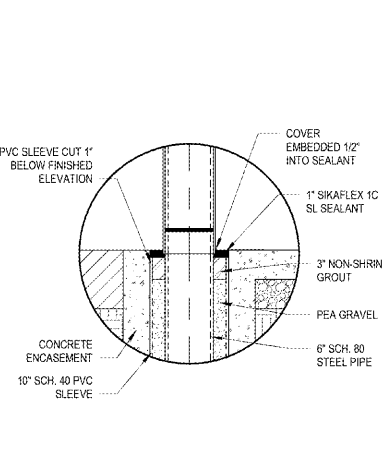
20 CANOPY SIDE ELEVATION
CAZ 1/4" = 1'-0"



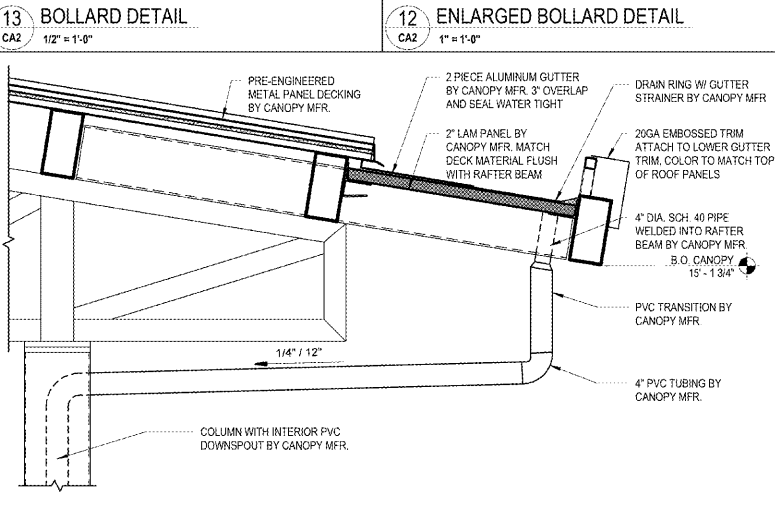
19 FIRE EXTINGUISHER DETAIL
CAZ 3\"/>



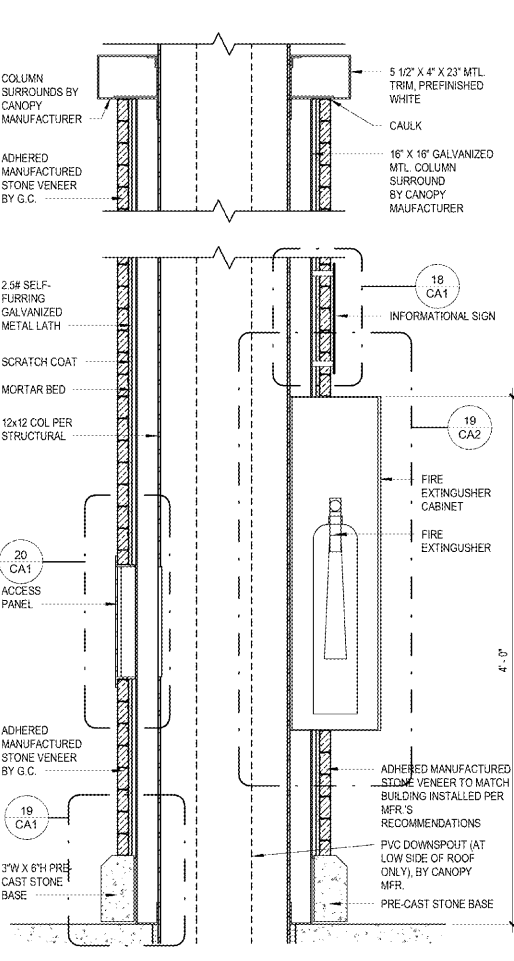
13 BOLLARD DETAIL
CAZ 1/2" = 1'-0"



12 ENLARGED BOLLARD DETAIL
CAZ 1" = 1'-0"



18 SECTION @ TRENCH DRAIN
CAZ 3/4" = 1'-0"



16 COLUMN DETAIL
CAZ 1 1/2" = 1'-0"

Order Plans

WWW.LDILine.com

1925 Prospect Ave.
Owensboro, KY 40314
(407) 668-1100
(407) 668-9101
www.ldi-p.com

LDI
Chalaci & Peterson
Architects Engineers Planners

CLIENT NAME
WAWA
280 W. BALTIMORE PIKE
WAWA, PA 19083

PROJECT NAME
STRAIGHT 6 GAS CAN, 2018 01-MA
STORE #PHM - 8647
PARRHAM RD. & THREE CHOPT RD.
HENRICO, VA

No.	Description	Date
1	PERMIT SET	09/11/2018
2	BID SET	01/28/2019

PROJECT NO.
2180130
DATE
09-11-2018
DRAWN OR
CHECKED
RS

CA2

CONTRACTOR: LD I Line, Inc. 1925 Prospect Ave., Owensboro, KY 40314. (407) 668-1100. (407) 668-9101. www.ldi-p.com. ARCHITECTS/ENGINEERS/PLANNERS: LD I Line, Inc. 1925 Prospect Ave., Owensboro, KY 40314. (407) 668-1100. (407) 668-9101. www.ldi-p.com. DATE: 09/11/2018. DRAWN BY: RS. CHECKED BY: RS.