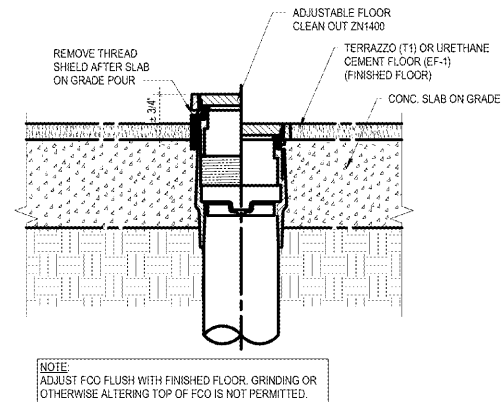
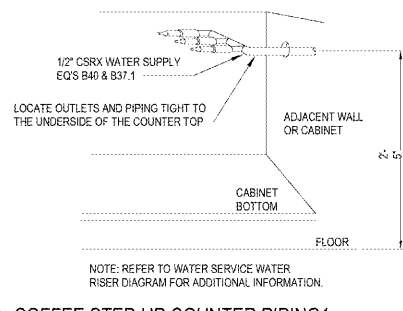


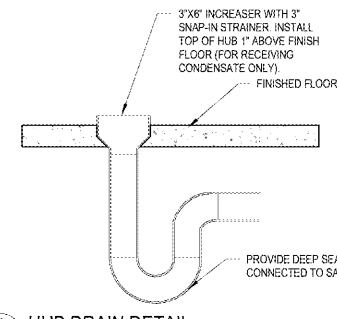
**1** COFFEE SINK/BREWER INDIRECT CONNECTION  
P7 NOT TO SCALE



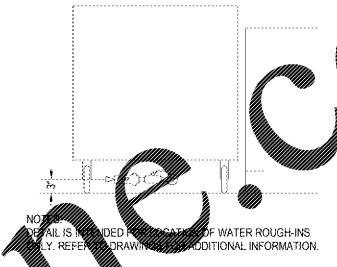
**2** RESTROOM FLOOR DRAIN/CLEANOUT DETAIL  
P7 NOT TO SCALE



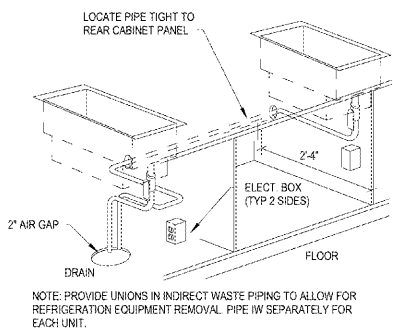
**3** COFFEE STEP-UP COUNTER PIPING  
P7 NOT TO SCALE



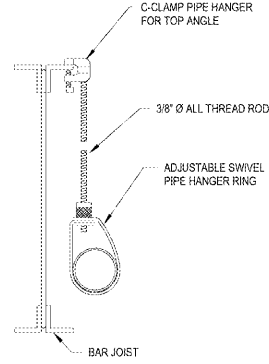
**4** HUB DRAIN DETAIL  
P7 NOT TO SCALE



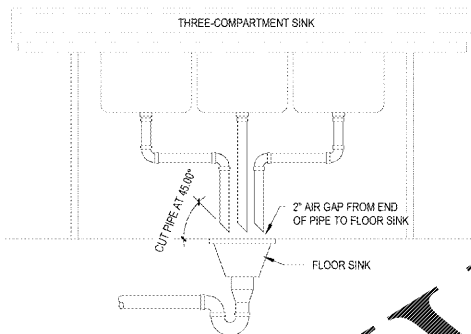
**5** REHEAT/REHEATIZER ROUGH-IN DETAIL  
NOT TO SCALE



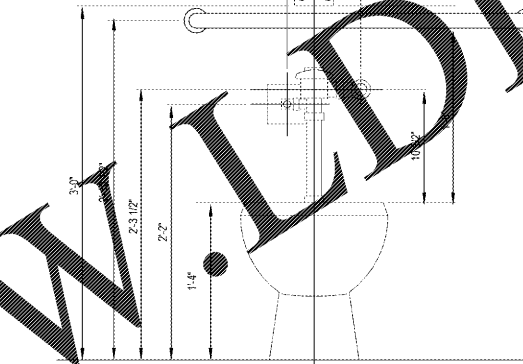
**6** CONDIMENT COUNTER DIAGRAM  
P7 NOT TO SCALE



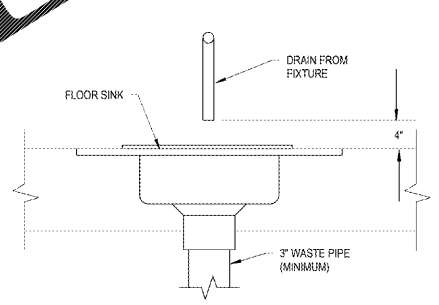
**7** PIPE HANGER DETAIL  
P7 NOT TO SCALE



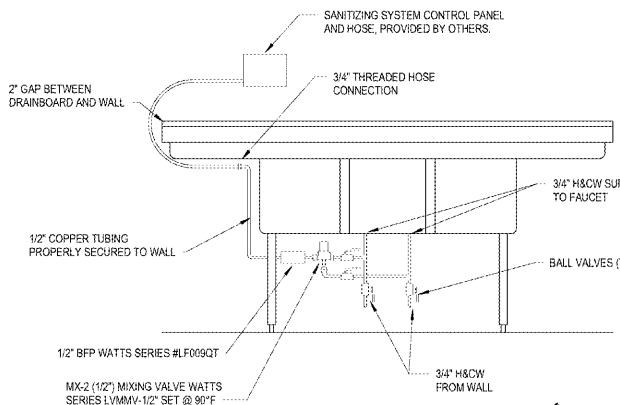
**8** THREE-COMPARTMENT SINK DISCHARGE DETAIL  
P7 NOT TO SCALE



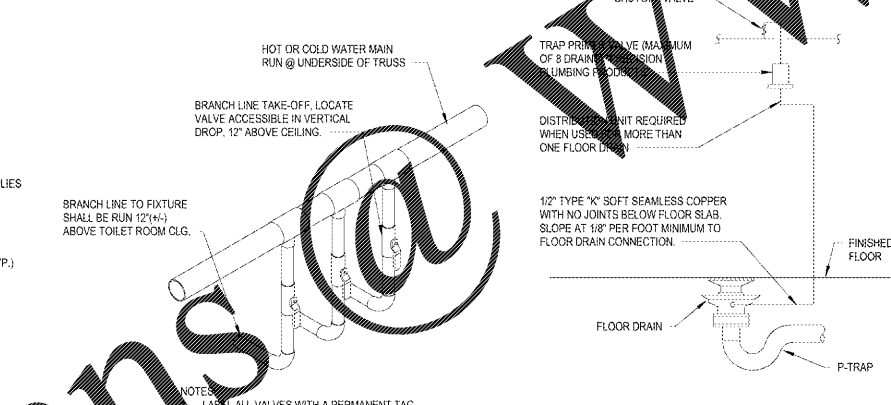
**9** TOILET FLUSH VALVE SENSOR MOUNTING  
P7 NOT TO SCALE



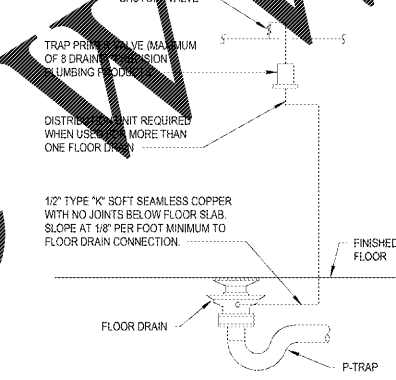
**10** FLOOR SINK DETAIL  
P7 NOT TO SCALE



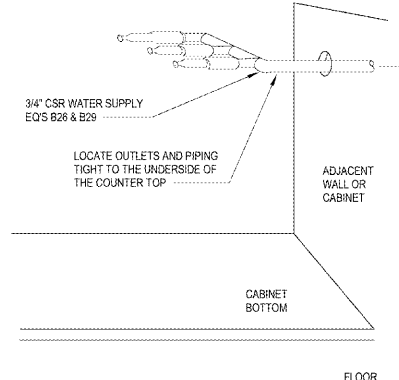
**11** TEMPERED WATER @ SANITIZING SYSTEM  
P7 NOT TO SCALE



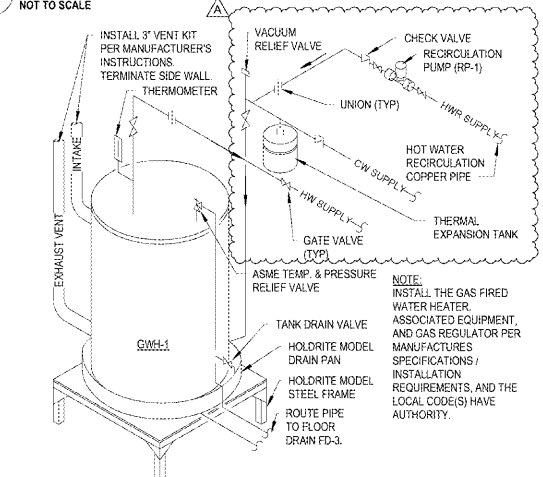
**12** TOILET ROOM WATER MANIFOLD DETAIL  
P7 NOT TO SCALE



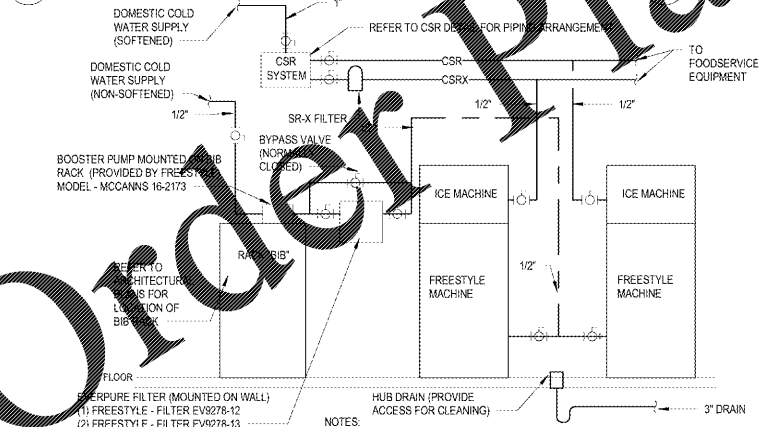
**13** FLOOR DRAIN WITH TRAP PRIMER DETAIL  
P7 NOT TO SCALE



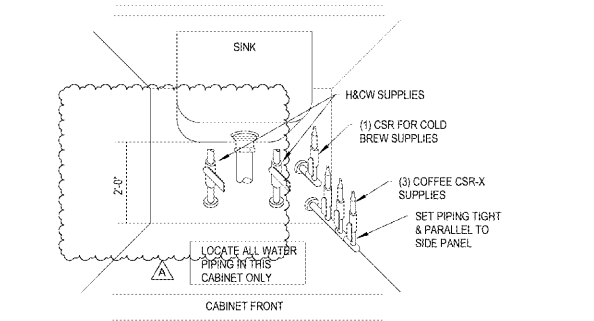
**14** COFFEE STEP-UP COUNTER PIPING  
P7 NOT TO SCALE



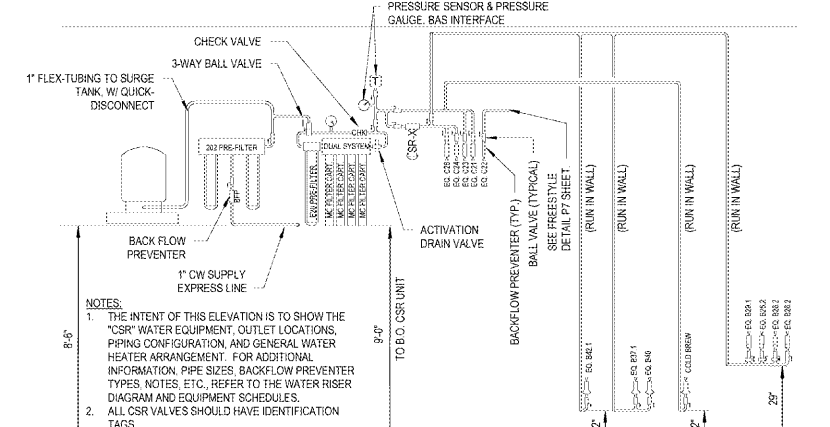
**15** GAS WATER HEATER DETAIL  
P7 NOT TO SCALE



**16** FREESTYLE PLUMBING DETAIL  
P7 NOT TO SCALE



**17** COFFEE SINK/BREWER MANIFOLD  
P7 NOT TO SCALE



**18** CSR WATER OUTLET ELEVATION  
P7 NOT TO SCALE

Order Plans @ WWW.WALDLINE.COM

1925 Prospect Ave.  
Owensboro, KY 40301  
(407) 668-1100  
(407) 668-9101  
www.waldline.com

**Walsh & Peterson**  
Architects Engineers Planners

CLIENT NAME  
**WAWA**  
280 W. BALTIMORE PIKE  
WAWA, PA 19083

PROJECT NAME  
**U45-VA V2018 01-MA**  
STORE #6647-PHM  
PARRHAM RD. & THREE CHOFT RD.  
HENRICO, VA

Revision Schedule	
No.	Description
1	PERMIT SET
2	REV V2018 01
3	END SET

No.	Date
1	09/21/2018
2	09/21/2018
3	09/21/2018

PROJECT NO. 2180133  
DATE 09-21-2018  
DRAWN JJ  
CHECKED JDU/JFK

P7