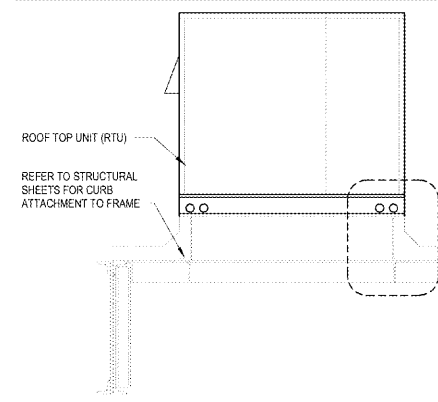
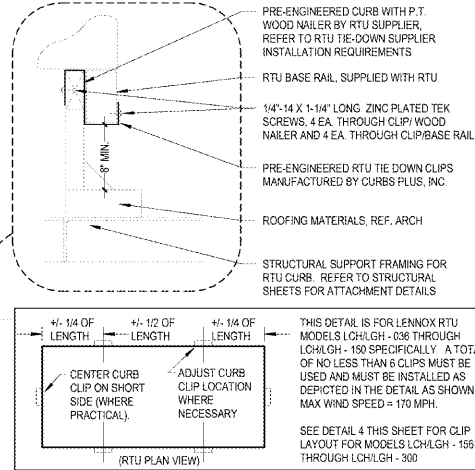


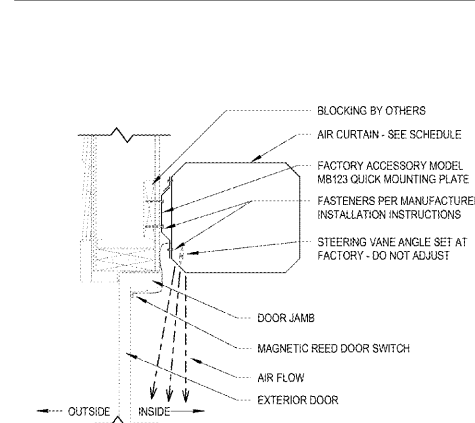
BUILDING LOCATION	WIND SPEED ZONE
HENRICO, VA	(FBC FIGURE 1809A) 115 MPH



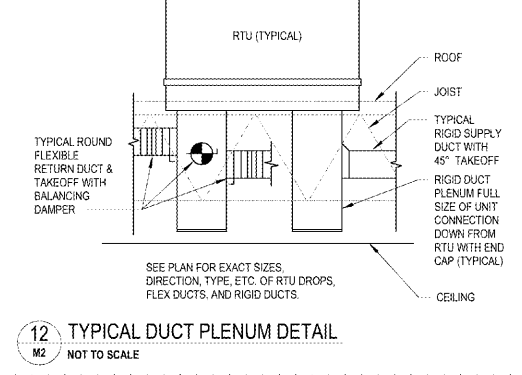
13 HVAC RTU TIE-DOWN DETAIL  
M2 NOT TO SCALE



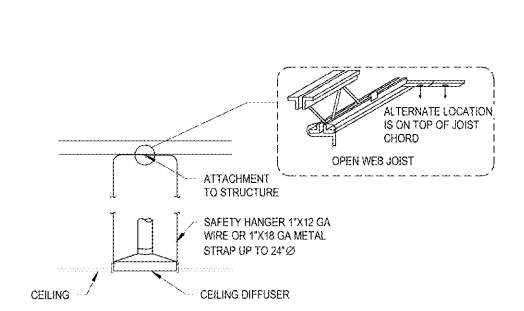
9 HVAC FLEX DUCT SUPPORT DETAIL  
M2 NOT TO SCALE



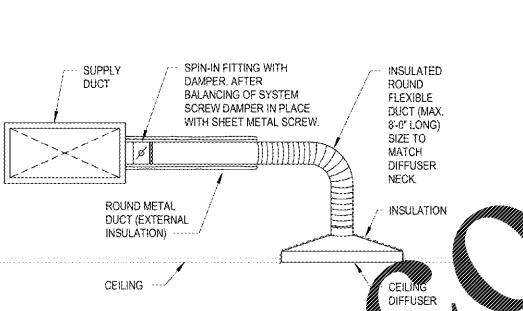
8 AIR CURTAIN INSTALLATION DETAIL  
M2 NOT TO SCALE



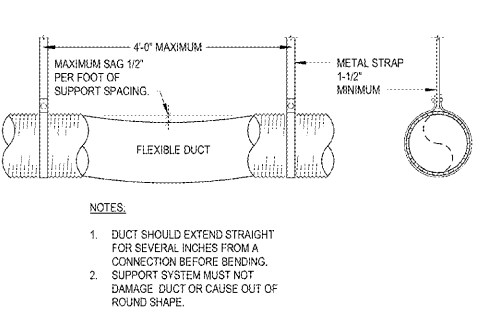
12 TYPICAL DUCT PLENUM DETAIL  
M2 NOT TO SCALE



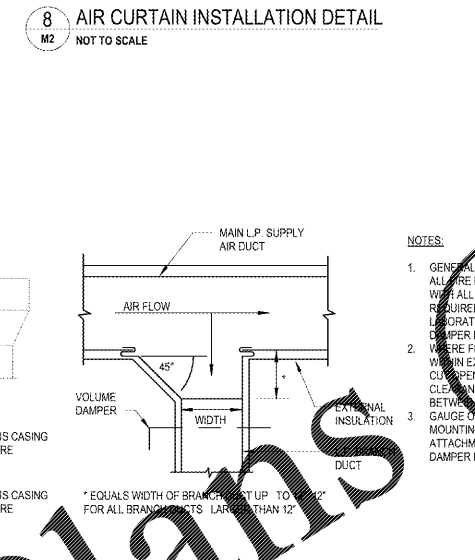
11 HVAC CEILING MOUNTED AIR DIFFUSER SUPPORT DETAIL  
M2 NOT TO SCALE



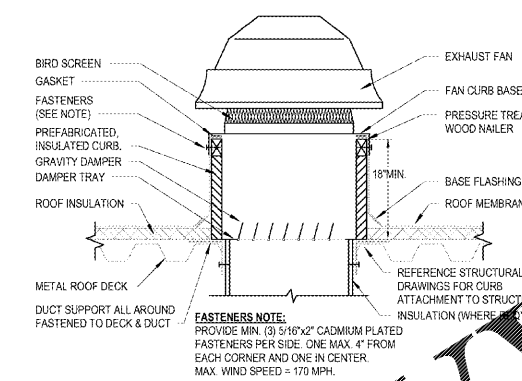
10 HVAC CEILING DIFFUSER RUNOUT DETAIL  
M2 NOT TO SCALE



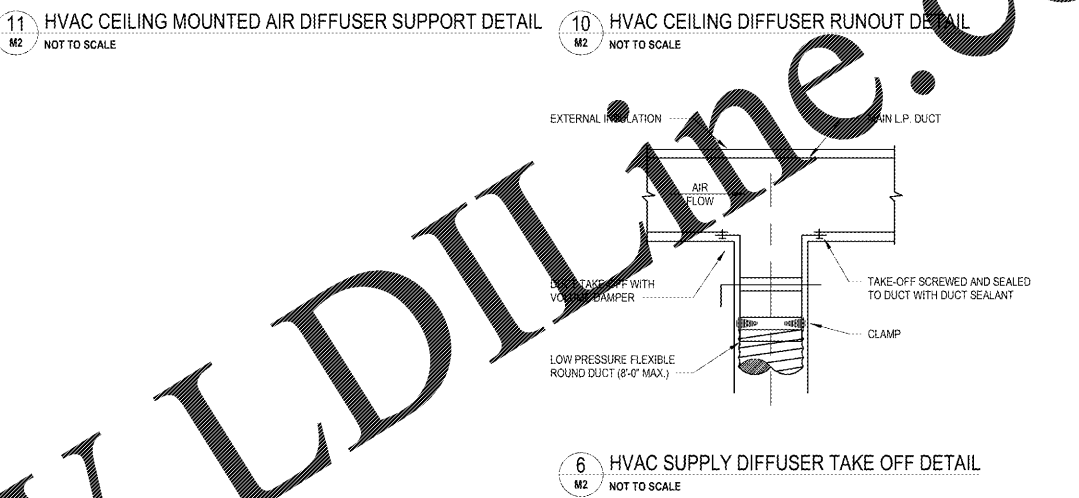
5 HVAC CONDENSATE DRAIN DETAIL  
M2 NOT TO SCALE



2 HVAC LOW PRESSURE SUPPLY BRANCH DUCT DETAIL  
NOT TO SCALE



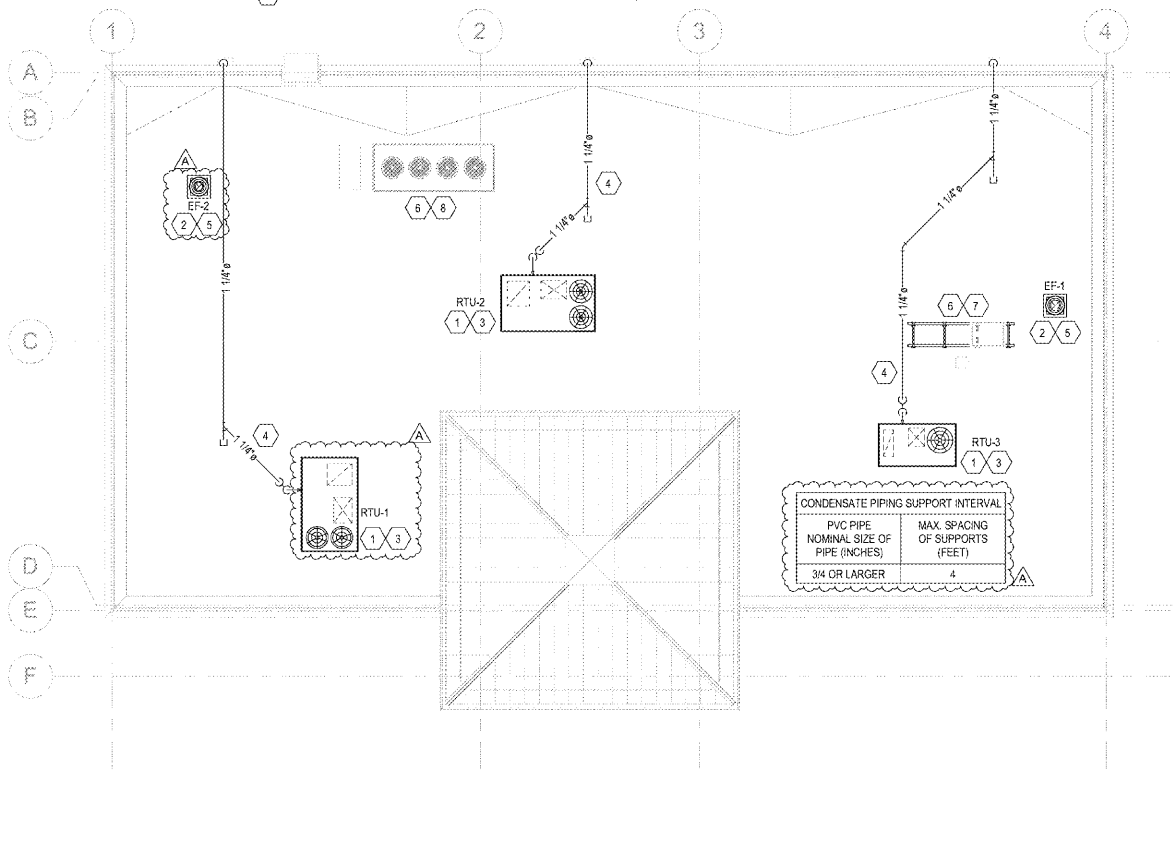
7 ROOF FAN MOUNTING DETAIL  
M2 NOT TO SCALE



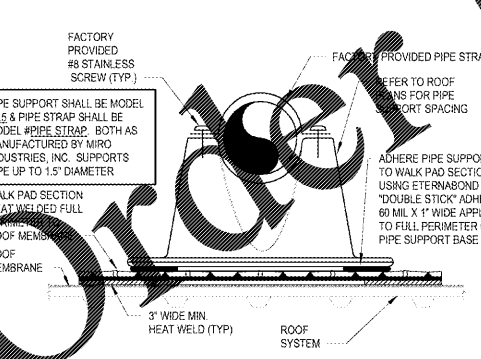
6 HVAC SUPPLY DIFFUSER TAKE OFF DETAIL  
M2 NOT TO SCALE

ROOF PLAN KEY NOTES

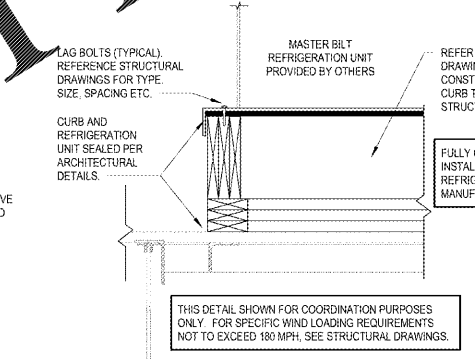
- FACTORY INSTALLED SMOKE DETECTOR IN MAIN SUPPLY AND RETURN OF EACH ROOF TOP UNIT.
- INSTALL ROOF MOUNTED EXHAUST FAN PER DETAIL ON SHEET M3. COORDINATE EXACT LOCATION OF FAN PENETRATION WITH ARCHITECTURAL ROOF PLAN. TRANSITION GALVANIZED DUCT WORK AS NECESSARY FROM FAN INTO CEILING/JOIST SPACE. SEE SHEET M1 FOR CONTINUATION.
- PROVIDE FLEXIBLE CONNECTIONS BETWEEN ALL DUCT WORK AND MECHANICAL UNITS.
- ROUTE SCH. 40 PVC CONDENSATE DRAIN PIPING ALONG ROOF. SUPPORT PIPING PER DETAIL ON SHEET M3.
- MAINTAIN A MINIMUM 1" CLEARANCE BETWEEN OUTSIDE AIR INTAKES AND EXHAUST TERMINATIONS ON ROOF.
- FOOD SERVICE REFRIGERATION EQUIPMENT PROVIDED BY OTHERS.
- FOOD SERVICE REFRIGERATION EQUIPMENT MOUNTED ON PRE-ENGINEERED RACK. SEE DETAIL ON SHEET A3.
- FOR SPECIFIC WIND LOADING REQUIREMENTS NOT TO EXCEED 180 MPH, SEE STRUCTURAL DRAWINGS.



1 HVAC ROOF PLAN  
M2 1/8" = 1'-0"



3 PIPE ROOF SUPPORT DETAIL  
M2 NOT TO SCALE



2 MASTER BILT MOUNT DETAIL  
M2 NOT TO SCALE

WWW.LDLINE.COM

Order Plans

1925 Respect Ave.  
Owensboro, KY 40301  
(407) 668-1100  
(407) 668-9101  
www.ld-line.com

**4**  
**Chalaci & Peterson**  
Architects Engineers Planners

CLIENT NAME  
**WAWA**  
280 W. BALTIMORE PIKE  
WAWA, PA 19083

PROJECT NAME  
**U45-VA V2018 01-MA**  
**STORE #6647-PHM**  
PARRHAM RD. & THREE CHOPT RD.  
HENRICO, VA

SHEET TITLE  
**HVAC ROOF PLAN AND DETAILS**

Revision Schedule	No.	Description	Date
PERMIT SET	A	REV V2018 01	09/21/2018
BID SET	A	REV V2018 01	01/28/2019
		BID SET	01/28/2019

PROJECT NO.  
2180130  
DATE  
09-21-2018  
DRAWN  
PKK  
CHECKED  
JUD/JFK

M2