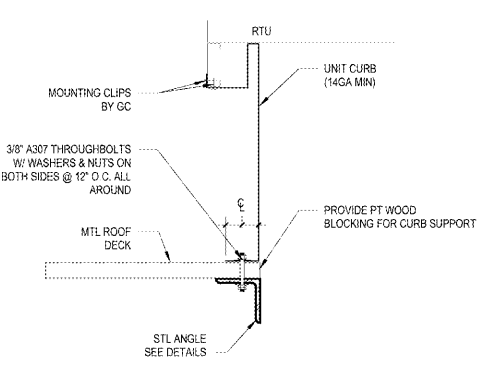
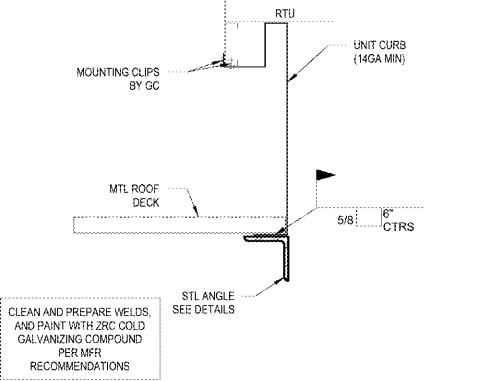


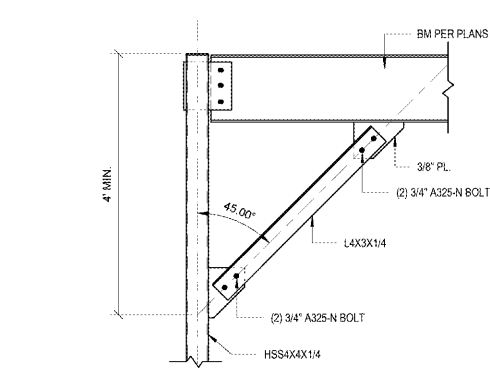
11 MECHANICAL UNIT CURB ATTACHMENT
S7.4 1 1/2" = 1'-0"



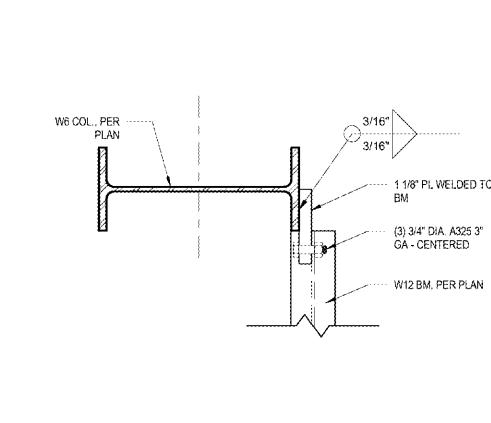
9 OVERHANG FRAMING DETAIL
S7.4 1 1/2" = 1'-0"



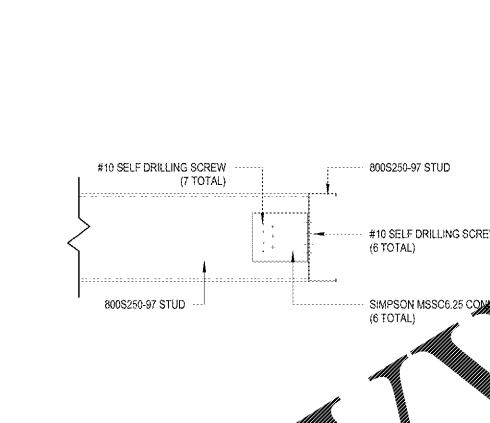
6 LIGHT GAUGE OVERHANG INTERMEDIATE FRAMING
S7.4 1 1/2" = 1'-0"



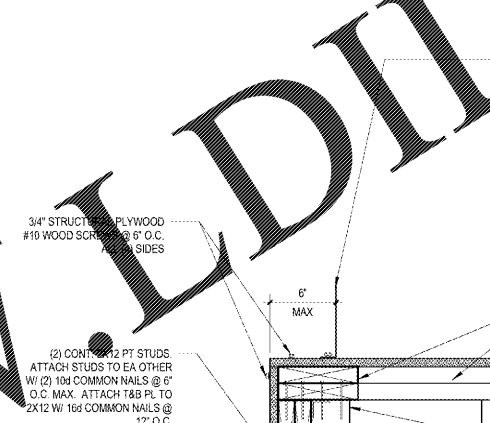
3 TOWER BRACE CONNECTION (VERTICAL)
S7.4 3/4" = 1'-0"



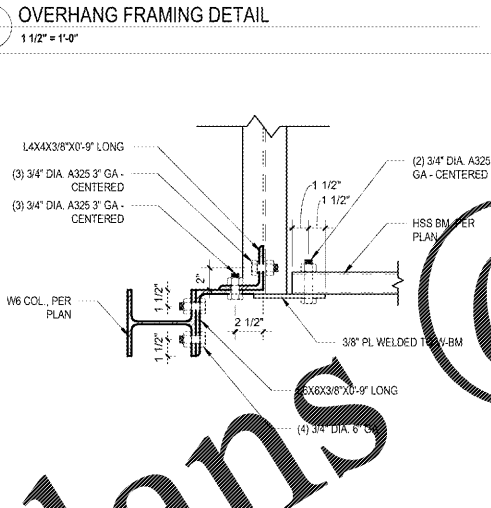
9 OVERHANG FRAMING DETAIL
S7.4 1 1/2" = 1'-0"



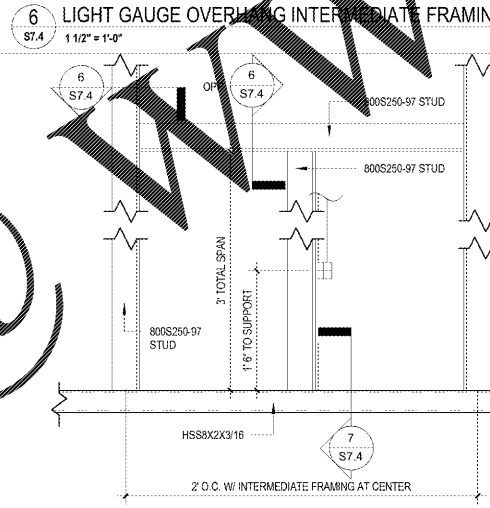
6 LIGHT GAUGE OVERHANG INTERMEDIATE FRAMING
S7.4 1 1/2" = 1'-0"



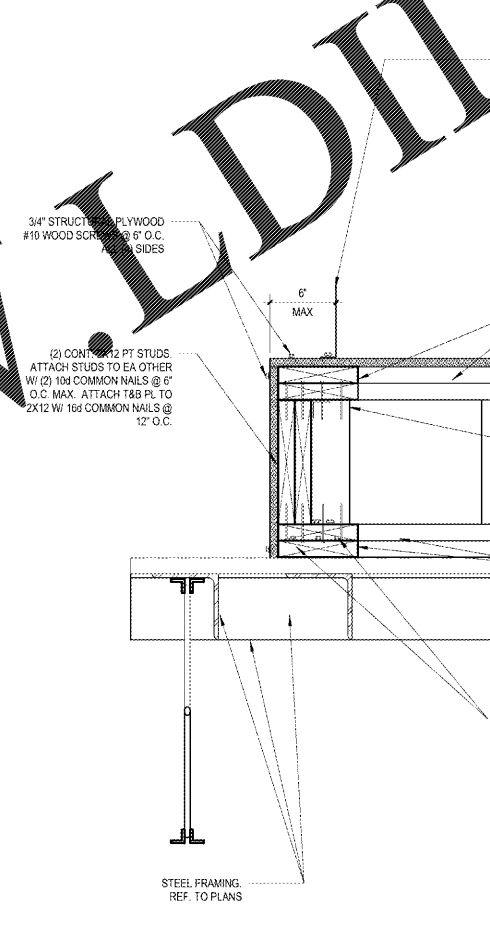
4 TOWER BRACE CONNECTION (HORIZONTAL)
S7.4 3/4" = 1'-0"



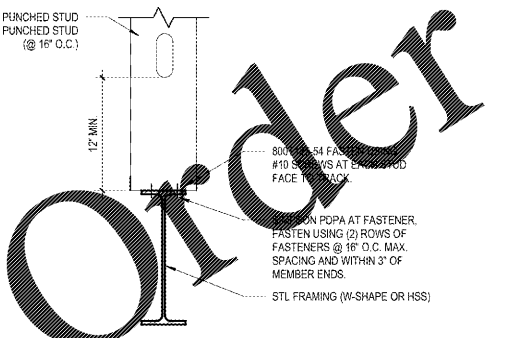
8 OVERHANG FRAMING DETAIL
S7.4 1 1/2" = 1'-0"



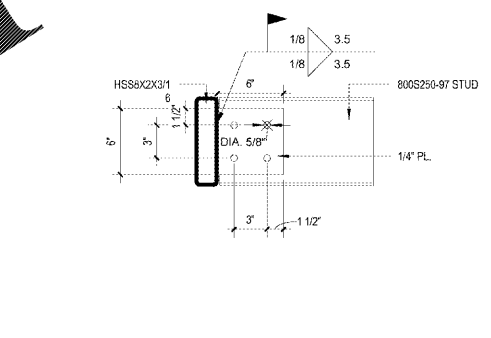
5 OVERHANG FRAMING CALLOUT
S7.4 1 1/2" = 1'-0"



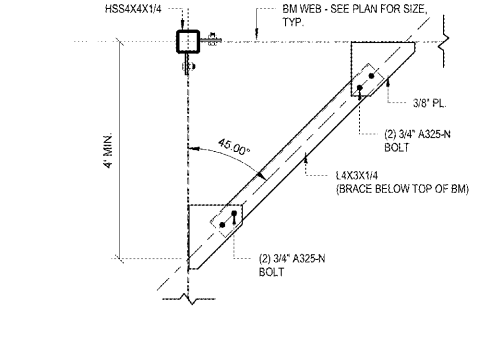
2 MASTERBUILT SUPPORT
S7.4 1 1/2" = 1'-0"



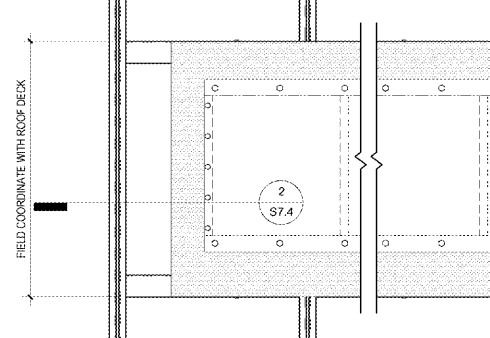
10 OVERHANG FRAMING DETAIL
S7.4 1 1/2" = 1'-0"



7 SHEAR TAB OVERHANG CONNECTION
S7.4 1 1/2" = 1'-0"



4 TOWER BRACE CONNECTION (HORIZONTAL)
S7.4 3/4" = 1'-0"



1 LARGE REFRIGERATION FRAMING DETAIL
S7.4 3/4" = 1'-0"

GENERAL SHEET NOTES:
1. SEE GENERAL NOTES AND SPECIFICATIONS FOR ADDITIONAL REQUIREMENTS NOT SHOWN HERE TO INCLUDE PAINTING / COATING REQUIREMENTS.
2. DETAILS FOR CONNECTIONS ARE SCHEMATIC. STEEL FABRICATOR SHALL PROVIDE FINAL CONNECTION DESIGN. LIGHT GAUGE METAL SUPPLIER SHALL ADOPT REQUIRED COMPONENTS AS SHOWN IN THE DETAILS AND ADJUST TO SPECIFIC FIELD CONDITIONS.

WWW.LDLINE.COM

Order Plans @

1925 Prospect Ave.
Owensboro, KY 40301
(407) 663-1100
(407) 663-9101
www.ldline.com

Chadwick & Peterson
Architects Engineers Planners

CLIENT NAME
WAWA
260 W. BALTIMORE PIKE
WAWA, PA 19063

PROJECT NAME
U45-VA v2018 01-MA
STORE #8647 - PHM
PARHAM RD & THREE CHOPT RD,
HENRICO, VA

SHEET TITLE
FRAMING DETAILS

Revision Schedule	No.	Description	Date
	1	PERMIT SET	09/21/2018
	2	REV V2018 01	01/29/2019
	3	BID SET	01/29/2019

PROJECT NO.
7180130
DATE
09-21-2018
DRAWN
RC
CHECKED
JL

S7.4