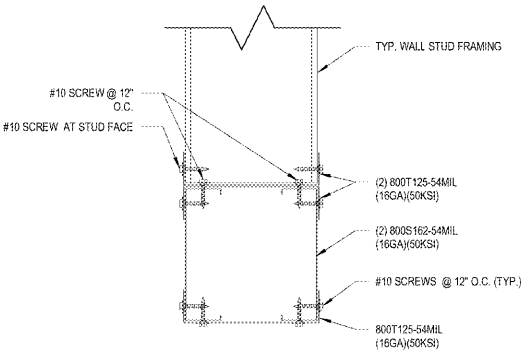
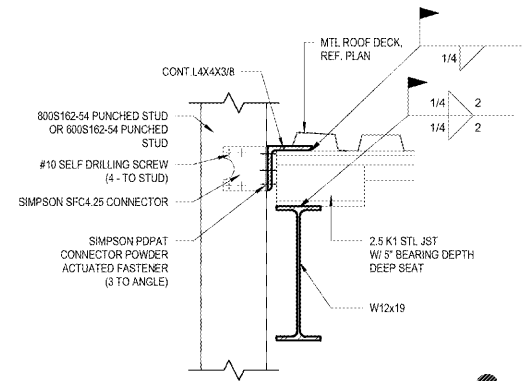


12 HSS TOWER COLUMN TO JOIST CONNECTION
S7.3 1" = 1'-0"



8 OPENING HEADER
S7.3 3" = 1'-0"

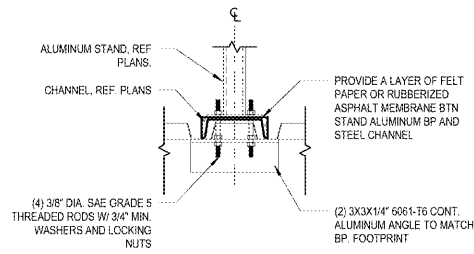


4 TOWER FRONT STUD BY-PASS FRAMING CONNECTION
S7.3 1 1/2" = 1'-0"

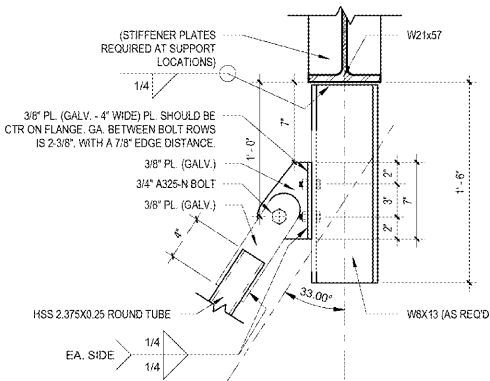
GENERAL SHEET NOTES
1. SEE GENERAL NOTES AND SPECIFICATIONS FOR ADDITIONAL REQUIREMENTS NOT SHOWN HERE TO INCLUDE PAINTING / COATING REQUIREMENTS.
2. DETAILS FOR CONNECTIONS ARE SCHEMATIC. STEEL FABRICATOR SHALL PROVIDE FINAL CONNECTION DESIGN. LIGHT GAUGE METAL SUPPLIER SHALL ADOPT REQUIRED COMPONENTS AS SHOWN IN THE DETAILS AND ADJUST TO SPECIFIC FIELD CONDITIONS.

1925 Prospect Ave.
Owensboro, KY 40301
(407) 663-1100
(407) 663-9101
www.c-p.com

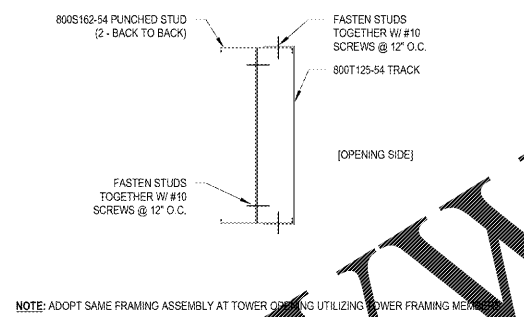
Chhabri & Peterson
Architects Engineers Planners



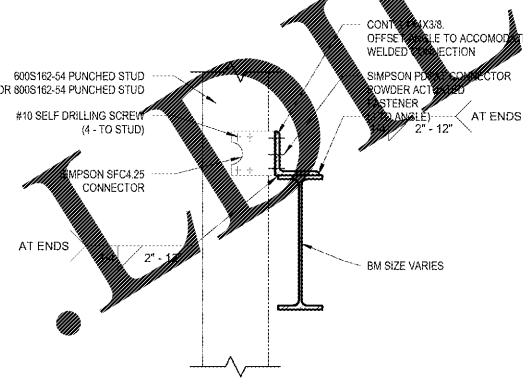
15 STAND COL CONNECTION BETWEEN JOIST
S7.3 1 1/2" = 1'-0"



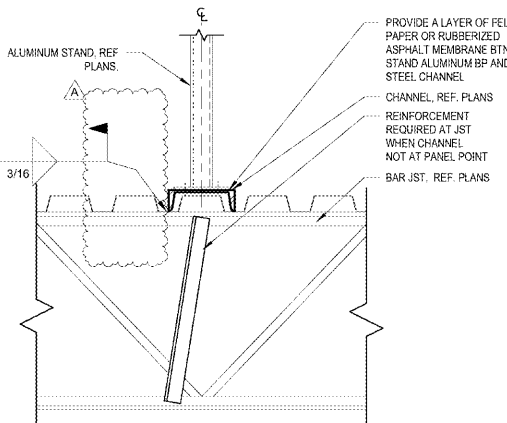
11 OVERHANG FRAMING ANCHOR ROD TO FRAME CONNECTION
S7.3 1 1/2" = 1'-0"



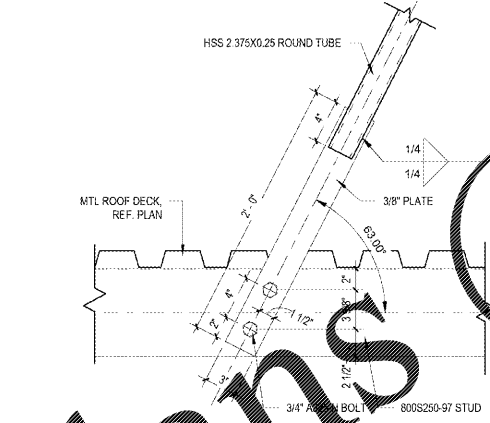
7 OPENING JAMB
S7.3 3" = 1'-0"



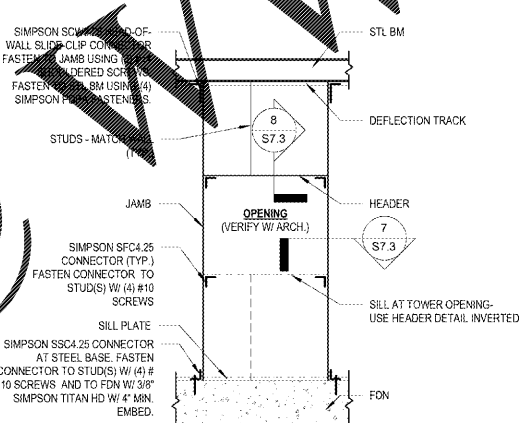
3 STUD BY-PASS FRAMING CONNECTION
S7.3 1 1/2" = 1'-0"



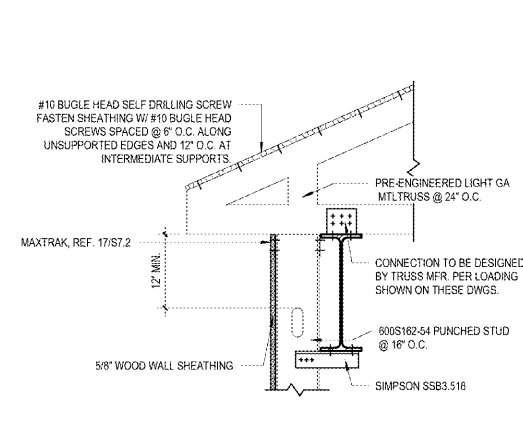
14 CHANNEL CONNECTION TO JOIST
S7.3 1 1/2" = 1'-0"



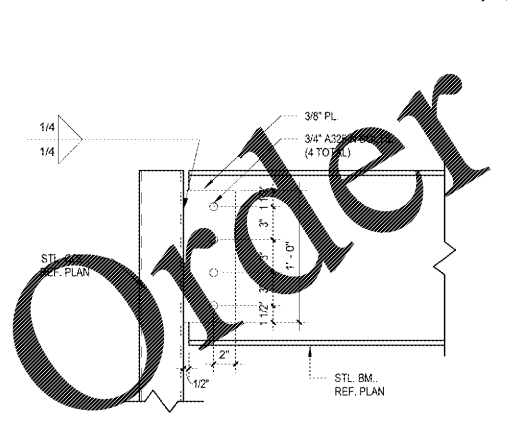
10 OVERHANG FRAMING CONNECTION AT BRACE AND BEAM
S7.3 1 1/2" = 1'-0"



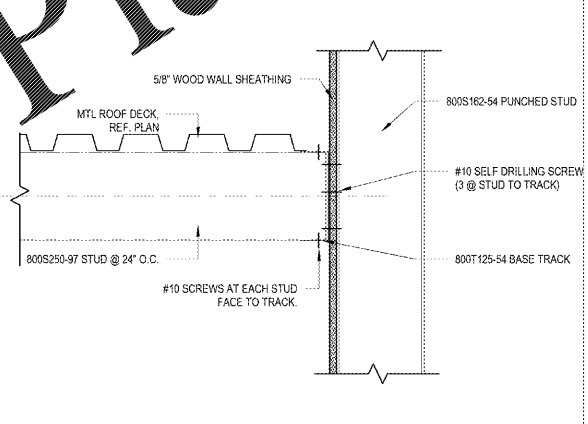
6 LIGHT GAUGE WALL OPENING FRAMING
S7.3 1/2" = 1'-0"



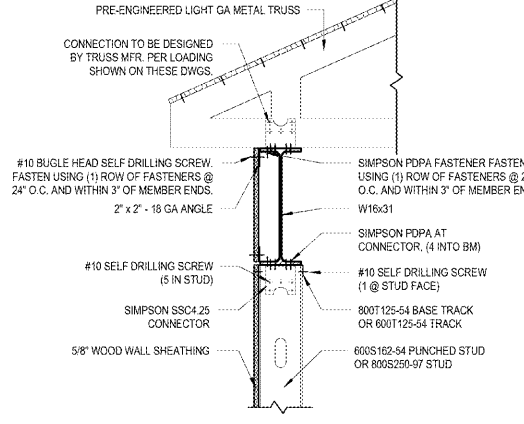
2 TOWER LIGHT GAUGE FRAMING AT TOP OF WALL
S7.3 1" = 1'-0"



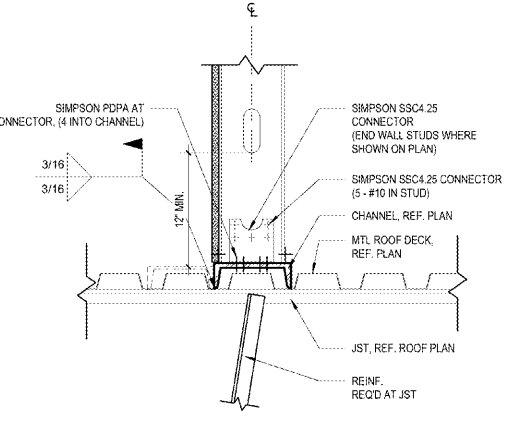
13 HSS TOWER TO W BEAM CONNECTION
S7.3 1 1/2" = 1'-0"



9 OVERHANG FRAMING CONNECTION TO WALL
S7.3 1 1/2" = 1'-0"



5 TOWER LIGHT GAUGE FRAMING AT TOP OF WALL GRIDLINE F
S7.3 1" = 1'-0"



1 TOWER LIGHT GAUGE FRAMING CORNER HOLD-DOWN CONNECTION
S7.3 1 1/2" = 1'-0"

Order Plans @

CLIENT NAME
WAWA
260 W. BALTIMORE PIKE
WAWA, PA 19063

PROJECT NAME
U45-VA v2018 01-MA
STORE #8647 - PHM
PARRAM RD & THREE CHOPT RD,
HENRICO, VA
SHEET TITLE
FRAMING DETAILS

Revision Schedule	No.	Description	Date
PERMIT SET	A		09/11/2018
REV			01/29/2019
BID SET			01/29/2019

PROJECT NO.
7180130
DATE
09-11-2018
DRAWN
RC
CHECKED
JJ

S7.3