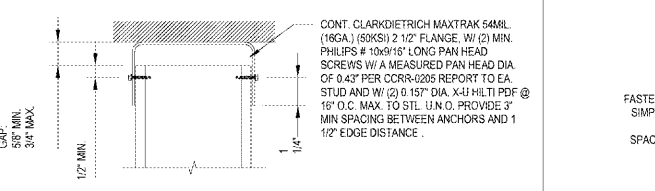
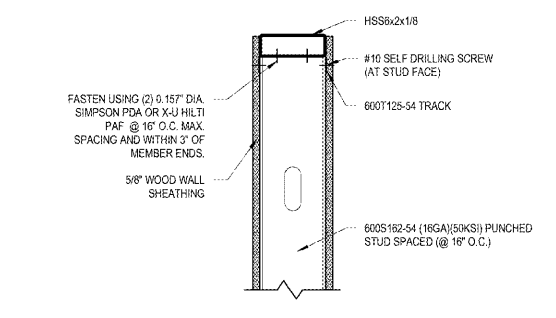


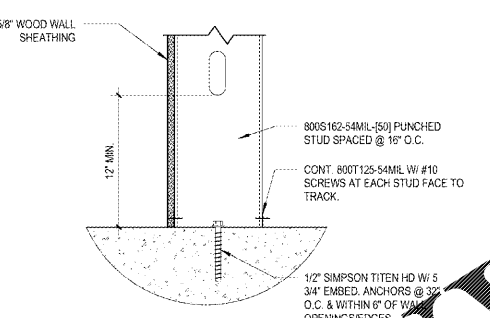
- FRAMING NOTES:**
- SCREWS SHALL PENETRATE ALL FRAMING COMPONENTS.
 - SCREWS SHALL HAVE A MINIMUM OF THREE EXPOSED THREADS EXTENDING THROUGH THE STEEL BEYOND ALL FRAMING COMPONENTS CONNECTED.
 - PROVIDE 12" MIN. EDGE DIST. AND 3/4" MIN. SPAC. FOR #10 AND #12 SELF DRILLING SCREWS.
 - PROVIDE 12" MIN. EDGE DIST. AND 1" MIN. SPACING FOR PDF INTO STEEL (TYP.) PDF ARE TO FULLY PENETRATE THE STRUCTURAL STEEL AND SHOULD HAVE A KNURLED SHANK.
 - PROVIDE 3" MIN. EDGE DIST. AND 4" MIN. SPACING FOR 0.157" DIA. HILTI X-U PDF INTO CONC. (TYP.)
 - STUD PUNCHOUTS TO BE AT LEAST 10" FROM END OF STUD.



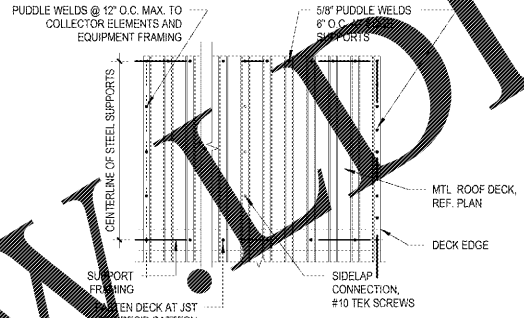
17 MAXTRAK DEFLECTION TRACK SECTION
S7.2 3/4" = 1'-0"



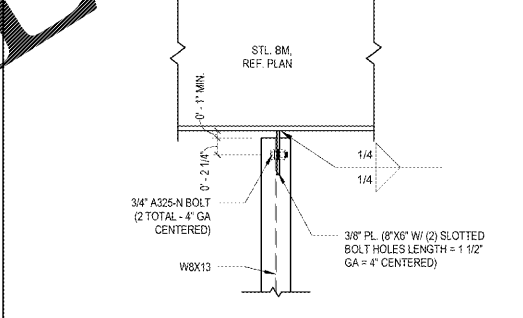
14 INFILL AT TOP OF PARAPET CONNECTION
S7.2 1 1/2" = 1'-0"



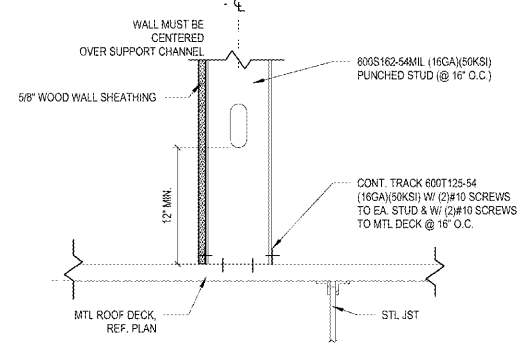
10 LIGHT GAUGE INFILL WALL BASE CONNECTION
S7.2 1 1/2" = 1'-0"



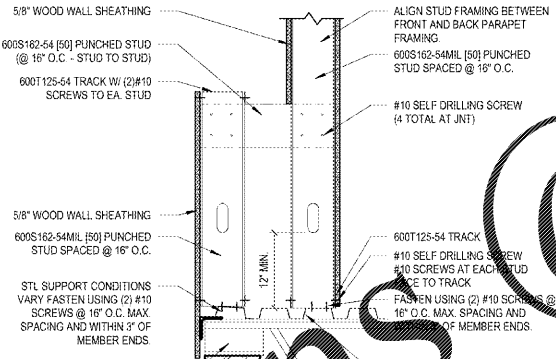
6 METAL DECK FASTENING
S7.2 3/4" = 1'-0"



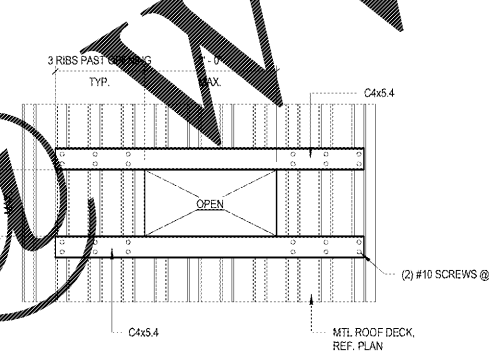
3 WIND GIRTS SUPPORT COLUMN TO BEAM CONNECTION
S7.2 1" = 1'-0"



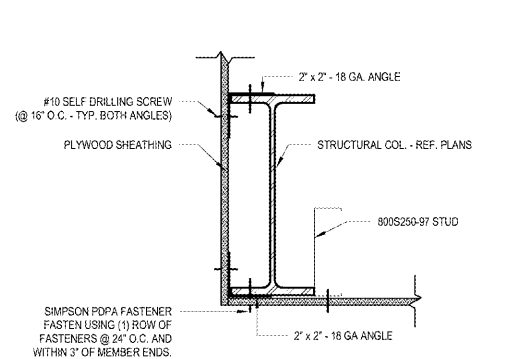
16 TOWER LIGHT GAUGE FRAMING BASE CONNECTION
S7.2 1 1/2" = 1'-0"



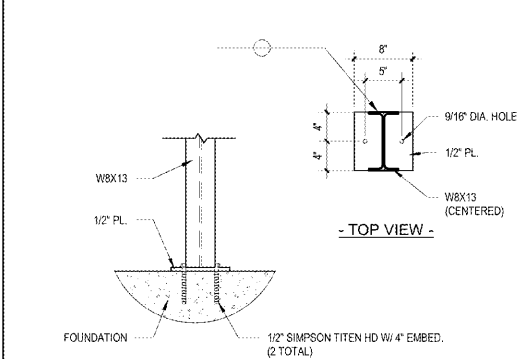
13 PARAPET INFILL FRAMING
S7.2



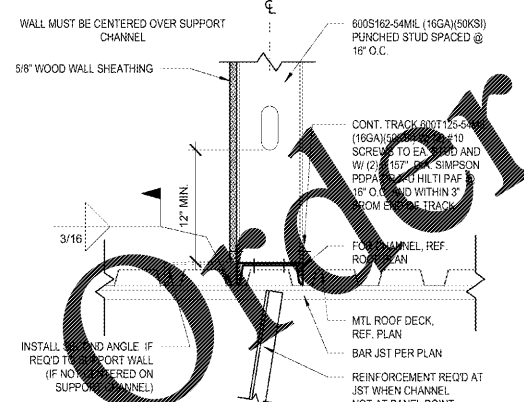
9 METAL DECK PENETRATIONS FOR OPENINGS TO 24\"/>



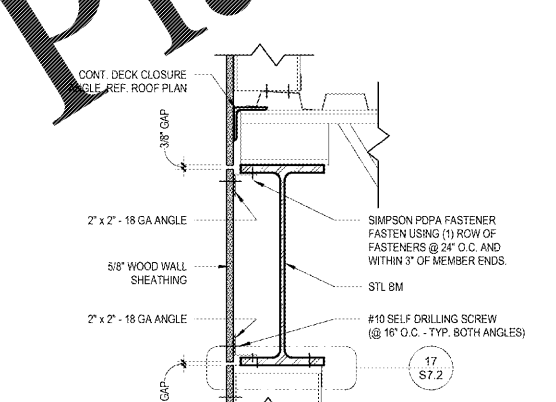
5 PLYWOOD TO COLUMN CONNECTION DESIGN
S7.2 1 1/2" = 1'-0"



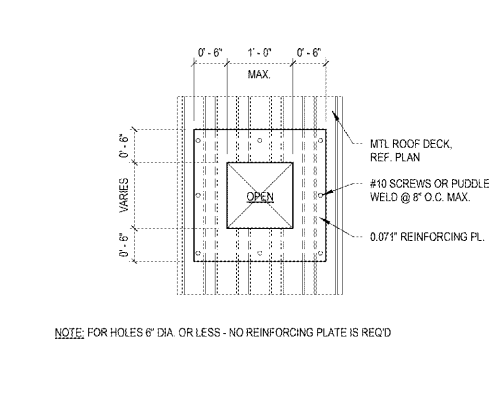
2 WIND GIRTS SUPPORT COLUMN TO FOUNDATION
S7.2 1" = 1'-0"



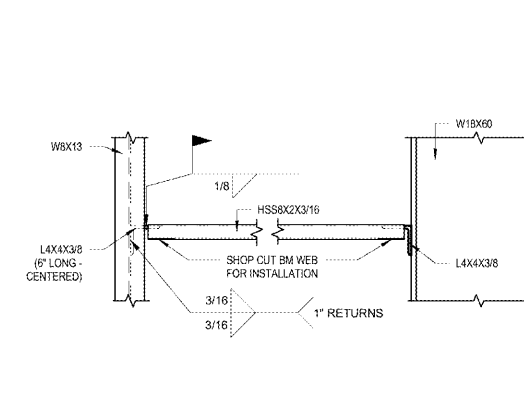
15 TOWER LIGHT GAUGE FRAMING BASE CONNECTION
S7.2 1 1/2" = 1'-0"



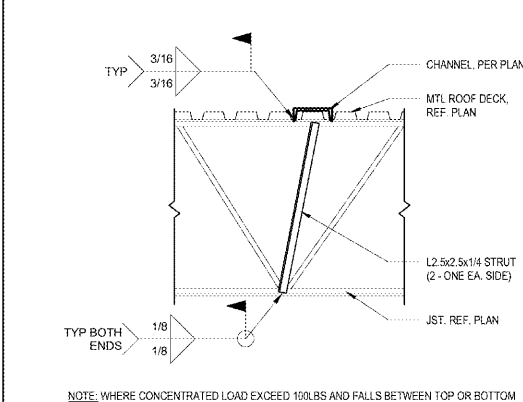
12 INFILL FRAMING AT SUPPORT BEAMS
S7.2 1 1/2" = 1'-0"



8 METAL DECK PENETRATIONS FOR OPENINGS TO 12\"/>



4 HSS WIND GIRTS TO COLUMN CONNECTIONS
S7.2 1" = 1'-0"



1 JOIST CONCENTRATED LOAD SUPPORT
S7.2 3/4" = 1'-0"

- GENERAL SHEET NOTES:**
- SEE GENERAL NOTES AND SPECIFICATIONS FOR ADDITIONAL REQUIREMENTS NOT SHOWN HERE TO INCLUDE PAINTING / COATING REQUIREMENTS.
 - DETAILS FOR CONNECTIONS ARE SCHEMATIC. STEEL FABRICATOR SHALL PROVIDE FINAL CONNECTION DESIGN. LIGHT GAUGE METAL SUPPLIER SHALL ADOPT REQUIRED COMPONENTS AS SHOWN IN THE DETAILS AND ADJUST TO SPECIFIC FIELD CONDITIONS.

Order Plans

WWW.LDLine.com

1925 Prospect Ave.
Owensboro, KY 40314
(407) 663-1100
(407) 663-9101
www.ldline.com

4
Chabaci & Peterson
Architects Planners

CLIENT NAME
WAWA
260 W. BALTIMORE PIKE
WAWA, PA 19063

PROJECT NAME
U45-VA v2018.01-MA
STORE #8647 - PHM
PARRAM RD & THREE CHOPT RD,
HENRICO, VA

Revision Schedule	No.	Description	Date
PERMIT SET	09/21/2018		
REV V2018.01	01/29/2019		
BID SET	01/29/2019		

Project No.	Date	Drawn	Checked
7180130	09-21-2018	RC	JJ

S7.2