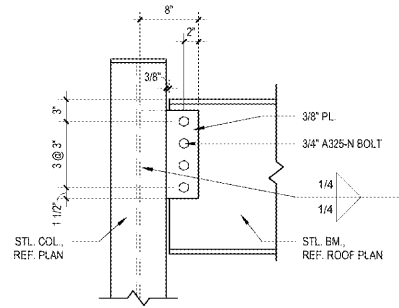


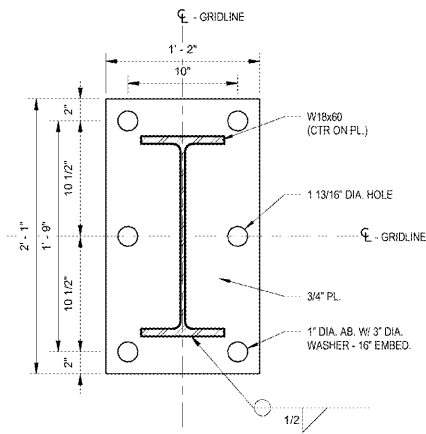
GENERAL SHEET NOTES:

- SEE GENERAL NOTES AND SPECIFICATIONS FOR ADDITIONAL REQUIREMENTS NOT SHOWN HERE TO INCLUDE PAINTING / COATING REQUIREMENTS.
- DETAILS FOR CONNECTIONS ARE SCHEMATIC. STEEL FABRICATOR SHALL PROVIDE FINAL CONNECTION DESIGN. LIGHT GAUGE METAL SUPPLIER SHALL ADOPT REQUIRED COMPONENTS AS SHOWN IN THE DETAILS AND ADJUST TO SPECIFIC FIELD CONDITIONS.

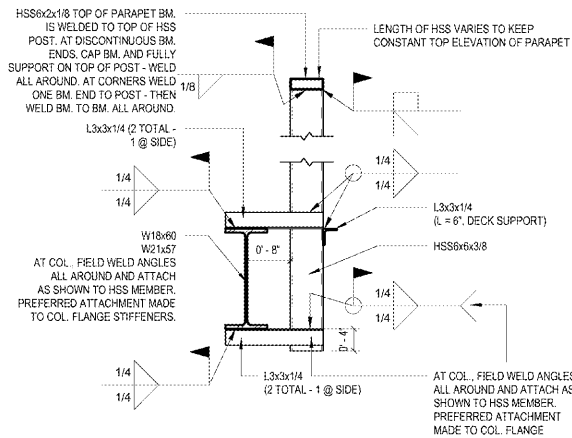
16 W21 BEAM TO W18 COLUMN CONNECTION
S7.1 1" = 1'-0"



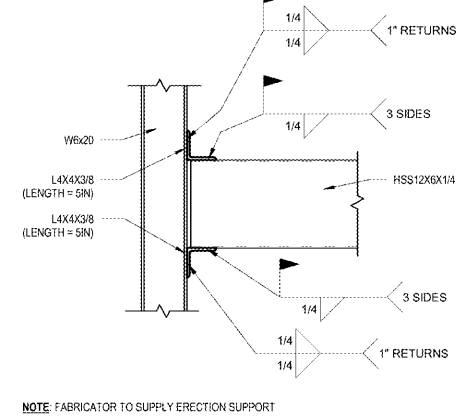
12 W18X60 BASE PLATE (BP1)
S7.1 1 1/2" = 1'-0"



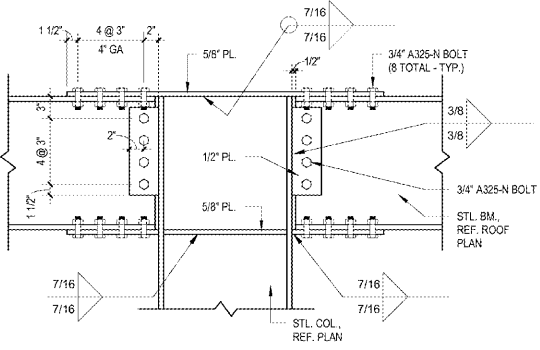
8 PARAPET FRAMING
S7.1 3/4" = 1'-0"



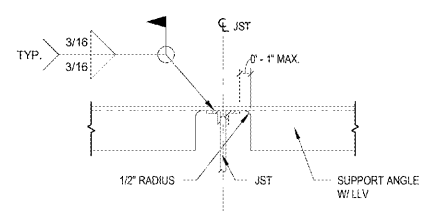
4 HSS12 BEAM TO W6 COLUMN CONN.
S7.1 1" = 1'-0"



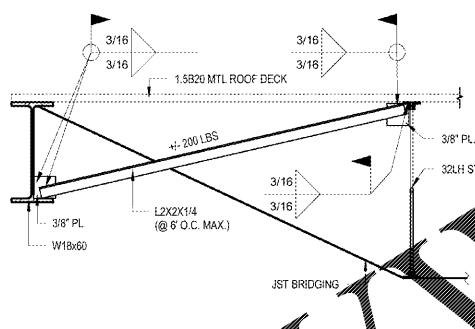
15 MOMENT CONNECTION AT FRAME INTERIOR - TYPICAL
S7.1 1" = 1'-0"



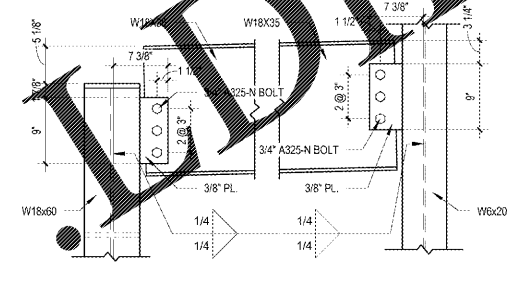
11 MECHANICAL SUPPORT ANGLE MID-SPAN CONNECTION - TYPICAL
S7.1 1 1/2" = 1'-0"



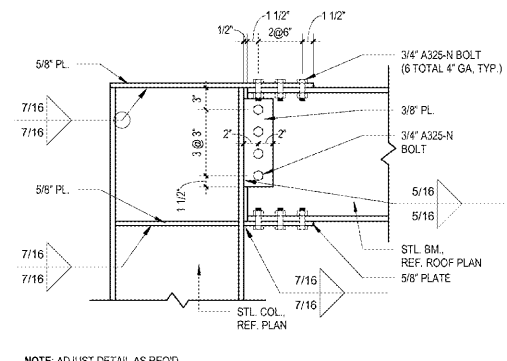
7 W18 ROOF CONNECTION
S7.1 3/4" = 1'-0"



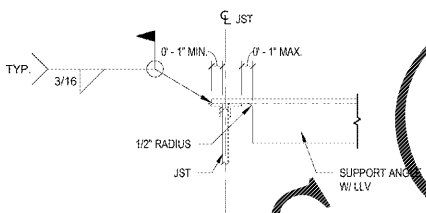
3 W18 BEAM TO W18 COLUMN CONNECTION
S7.1 1" = 1'-0"



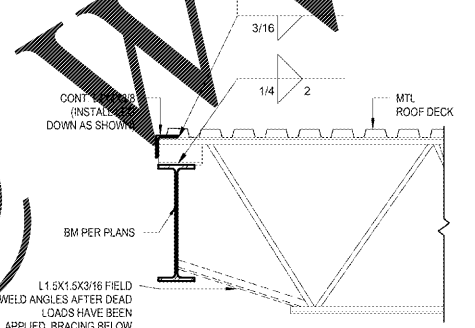
14 MOMENT CONNECTION AT FRAME ENDS - TYPICAL
S7.1 1" = 1'-0"



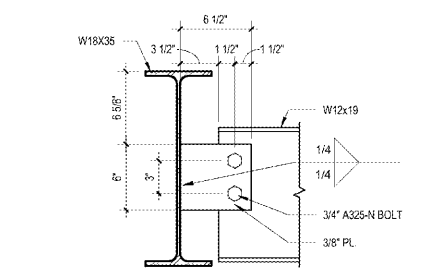
10 MECHANICAL SUPPORT ANGLE EDGE CONNECTION - TYPICAL
S7.1 1 1/2" = 1'-0"



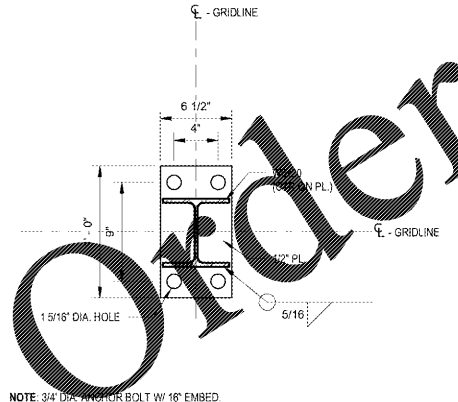
6 LH JOIST TO BEAM CONN
S7.1 3/4" = 1'-0"



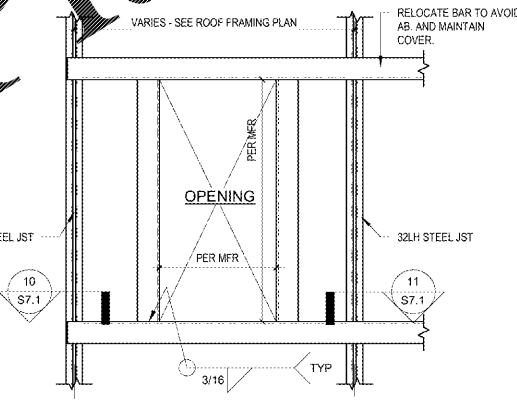
2 W12 BEAM TO W18 BEAM CONNECTION
S7.1 1 1/2" = 1'-0"



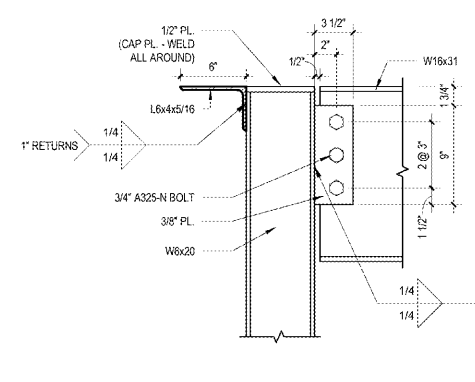
13 W6 BASE PLATE (BP2)
S7.1 1 1/2" = 1'-0"



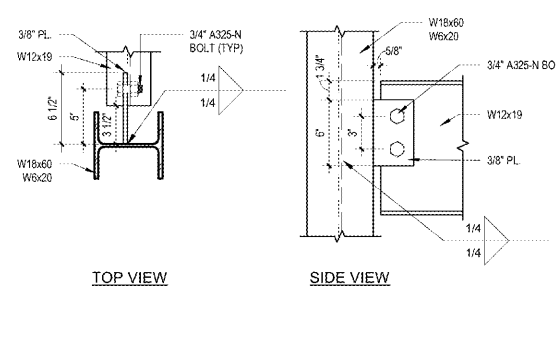
9 JOIST MECHANICAL UNIT SUPPORT
S7.1 3/4" = 1'-0"



5 W16 BEAM TO W6 COLUMN CONNECTION
S7.1 1 1/2" = 1'-0"



1 W12 BEAM TO W COLUMN CONNECTION
S7.1 1 1/2" = 1'-0"



1925 Prospect Ave.
Oxford, MD 21651-32814
(410) 666-1100
(410) 666-9101
www.c-p.com

CP
Chhaci & Peterson
Architects Engineers Planners

CLIENT NAME
WAWA
260 W. BALTIMORE PIKE
WAWA, PA 19063

PROJECT NAME
U45-VA v2018 01-MA
STORE #8647 - PHM
PARRAM RD & THREE CHOPT RD,
HENRICO, VA

No.	Description	Date
1	PERMIT SET	09/21/2018
2	REV 2018.01	01/29/2019
3	BID SET	01/29/2019

REVISION SCHEDULE
No. Description Date
DATE 09-21-2018
DRAWN RC
CHECKED JI

SHEET TITLE
FRAMING DETAILS

S7.1