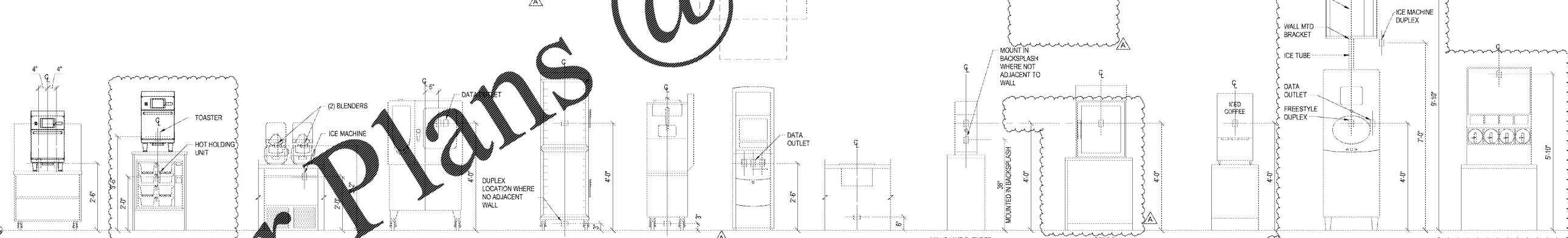
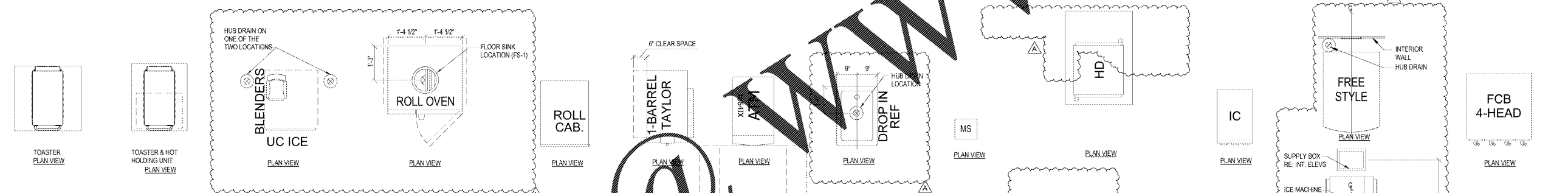


**CUSTOMER ACCESS TERMINAL ELEVATION VIEW**  
**REFRIGERATED SANDWICH STATION ELEVATION VIEW** B12  
**HOT FOOD TABLE ELEVATION VIEW** B9.1, B48  
**RETHERMALIZER ELEVATION VIEW** B12.2  
**ESPRESSO ELEVATION VIEW** B40  
**COFFEE BREWER ELEVATION VIEW** B26.2  
**CAPPUCCINO ELEVATION VIEW** B28.1  
**UNDER COUNTER REFRIGERATOR / FREEZER ELEVATION VIEW** B30.1, B30.2  
**DOUBLE CONVECTION OVEN ON STAND ELEVATION VIEW** B32  
**REFRIGERATED FOOD PREP UNIT ELEVATION VIEW** B24  
**DRAWER WARMERS ELEVATION VIEW** B45  
**CAT LOCK/UNLOCK ELEVATION VIEW**  
**POWER REQ:** 120V, 13A  
**OUTLET TYPE:** (2) QUAD  
**PLUMBING REQ:** N/A  
**POWER REQ:** 120V, 13A  
**OUTLET TYPE:** SPECIAL PURPOSE RECEPTACLE TWIST LOCK L5-20P, L5-20R  
**PLUMBING REQ:** HUB DRAIN (INDIRECT)  
**POWER REQ:** 208V, 3PH 23.8A  
**OUTLET TYPE:** L15-30R COVER  
**PLUMBING REQ:** 1/2" HW W/ 3/4" COPPER HOSE CONNECTION FLOOR SINK (INDIRECT)  
**HOT HOLDING:**  
**POWER REQ:** 120V, 13A, 1.6W  
**OUTLET TYPE:** WP/GFI DUPLEX  
**POWER REQ:** 208V, 3PH 900W  
**30A BREAKER**  
**OUTLET TYPE:** L15-30R, L15-30R COVER  
**PLUMBING REQ:** 1/2" HW FLOOR SINK (INDIRECT)  
**POWER REQ:** 208V, 1PH 5300W  
**OUTLET TYPE:** SPECIAL PURPOSE RECEPTACLE, TWIST LOCK, L6-30R  
**PLUMBING REQ:** (1/2" CSRX) HUB DRAIN (INDIRECT)  
**POWER REQ:** 208V, 1PH 28A  
**40A BREAKER**  
**OUTLET TYPE:** SPECIAL PURPOSE RECEPTACLE L14-50-R  
**PLUMBING REQ:** (1/2" CSRX)  
**POWER REQ:** 120V, 1.8KW  
**20A**  
**OUTLET TYPE:** GFI DUPLEX  
**PLUMBING REQ:** (1/2" CSRX)  
**POWER REQ:** 120V, 1.8KW  
**20A**  
**OUTLET TYPE:** GFI DUPLEX  
**PLUMBING REQ:** (1/2" CSRX)  
**POWER REQ:** 208V, 3PH 2.2A  
**30A BREAKER**  
**OUTLET TYPE:** L15-30R  
**PLUMBING REQ:** N/A  
**POWER REQ:** 115V, 1/3 HP, 9A  
**OUTLET TYPE:** GFI DUPLEX  
**PLUMBING REQ:** HUB DRAIN (INDIRECT)  
**POWER REQ:** 120V, 1.015W, 8.5A  
**OUTLET TYPE:** WP/GFI DUPLEX  
**PLUMBING REQ:** N/A  
**POWER REQ:** (1) DUPLEX  
**PLUMBING REQ:** N/A



**TOASTER ON FRONT LINE W/ ROLLING CABINET ELEVATION VIEW** B14.2  
**TOASTER ON TERMINAL CABINET W/ HOT HOLDING UNIT BELOW ELEVATION VIEW** B14.2  
**TOASTER & HOT HOLDING UNIT ELEVATION VIEW** B14.2  
**UNDER W/ ICE MACHINES BELOW ELEVATION VIEW** B17.1  
**ROLL OVEN ELEVATION VIEW** B12  
**ROLL CABINET ELEVATION VIEW** B41  
**TAYLOR BARREL ELEVATION VIEW** B30.1  
**ATM ELEVATION VIEW** C11  
**DROP IN REFRIGERATOR ELEVATION VIEW** B41  
**MILKSHAKE BLENDER ELEVATION VIEW** B49  
**ICED COFFEE DISPENSER ELEVATION VIEW** C20  
**FREE STYLE W/ ICE MACHINE ELEVATION VIEW** C22, C28  
**FROZEN CARBONATOR BEVERAGES ELEVATION VIEW** C23  
**POWER REQ:** 208V, 1PH, 1500W  
**30A BREAKER**  
**OUTLET TYPE:** SPECIAL PURPOSE RECEPTACLE TWIST LOCK L6-30R  
**PLUMBING REQ:** N/A  
**POWER REQ:** 120V, 1PH, 1500W  
**30A BREAKER**  
**OUTLET TYPE:** SPECIAL PURPOSE RECEPTACLE TWIST LOCK L6-30R  
**PLUMBING REQ:** N/A  
**POWER REQ:** 120V, 10A, 20A BREAKER  
**ICE MACHINE:** 120V, 7.4A, 20A BREAKER  
**OUTLET TYPE:** (2) GFI DUPLEX  
**PLUMBING REQ:** (1/2" CSRX) HUB DRAIN (INDIRECT)  
**POWER REQ:** 208V, 3PH, 11.1Kw  
**40A BREAKER**  
**OUTLET TYPE:** L15-30P, L15-30R  
**PLUMBING REQ:** 3/4" CW (1/2" CSRX) FLOOR SINK (INDIRECT)  
**POWER REQ:** 120V  
**OUTLET TYPE:** GFI DUPLEX  
**PLUMBING REQ:** N/A  
**POWER REQ:** 208V, 3PH, 4.4kW  
**30A BREAKER**  
**OUTLET TYPE:** L15-30P, L15-30R  
**PLUMBING REQ:** N/A  
**POWER REQ:** 120V  
**OUTLET TYPE:** (2) DUPLEX  
**PLUMBING REQ:** N/A  
**POWER REQ:** 120V, 1/2 HP, 10.7A  
**OUTLET TYPE:** GFI DUPLEX  
**PLUMBING REQ:** HUB DRAIN (INDIRECT)  
**POWER REQ:** 120V  
**OUTLET TYPE:** GFI DUPLEX  
**PLUMBING REQ:** N/A  
**POWER REQ:** 120V  
**OUTLET TYPE:** DUPLEX  
**PLUMBING REQ:** N/A  
**POWER REQ:** 120V, 4A  
**OUTLET TYPE:** DUPLEX  
**PLUMBING REQ:** N/A  
**POWER REQ:** 120V, 8A, 15A BREAKER  
**ICE MACHINE:** 120V, 10.3HP, 7A, 20A BREAKER  
**OUTLET TYPE:** (2) DUPLEX  
**PLUMBING REQ:** C22 - 1/2" CSRX C28 - 1/2" FILTERED WATER 3" HUB DRAIN (INDIRECT)  
**POWER REQ:** 208V, 1PH, 30A  
**BREAKER**  
**OUTLET TYPE:** L6-30R  
**PLUMBING REQ:** (1/2" CSRX) HUB DRAIN (INDIRECT)

1 TYPICAL EQUIPMENT DETAILS  
 EQ2 1/2" = 1'-0"

1925 Prospect Ave.  
 Oakton, VA 22124  
 (407) 668-1100  
 (407) 668-9101  
 www.c-p.com

**Chalaci & Peterson**  
 Architects Engineers Planners

**CLIENT NAME**  
**WAWA**  
 280 W. BALTIMORE PIKE  
 WAWA, PA 19083

**PROJECT NAME**  
 U45-VA V2018 01-NA  
 STORE #8647-PIHM  
 PARRHAM RD. & THREE CHOFT RD.  
 HENRICO, VA

**SHEET TITLE**  
 TYPICAL EQUIPMENT DETAILS

Revision Schedule	No.	Description	Date
PERMIT SET	A	REV V2018 01	09/21/2018
BID SET	B	REV V2018 01	01/28/2019
		BID SET	01/28/2019

PROJECT NO.  
 2180130  
 DATE  
 09-21-2018  
 DRAWN  
 CR  
 CHECKED  
 RS

EQ2