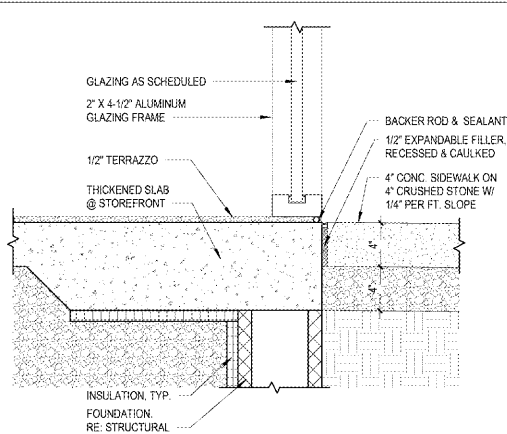
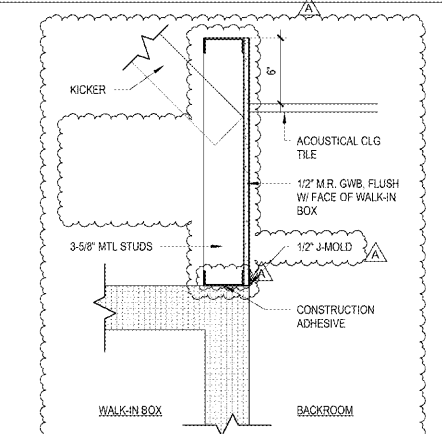


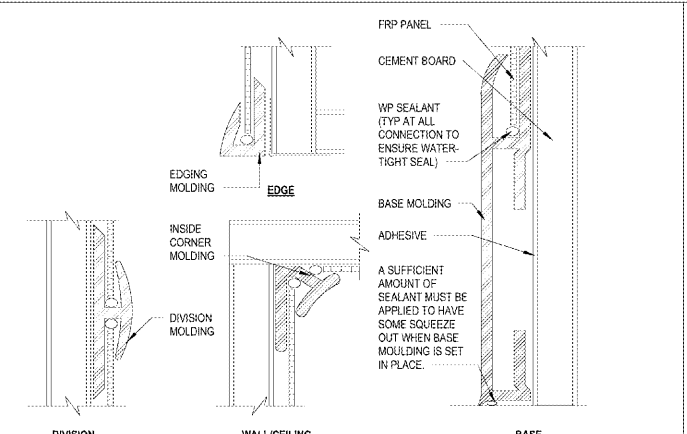
5 SURGE TANK SHELF DETAIL
A11 1/2" = 1'-0"



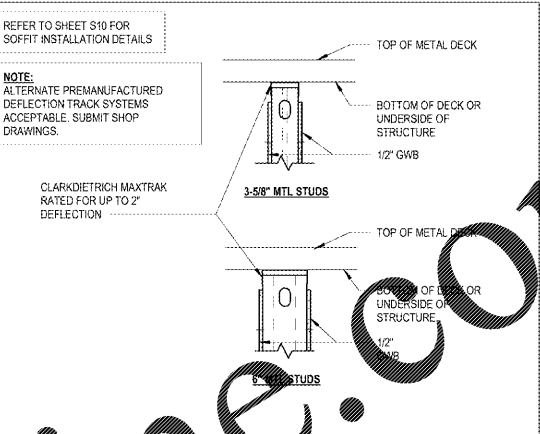
4 SECTION @ STOREFRONT GLAZING
A11 1 1/2" = 1'-0"



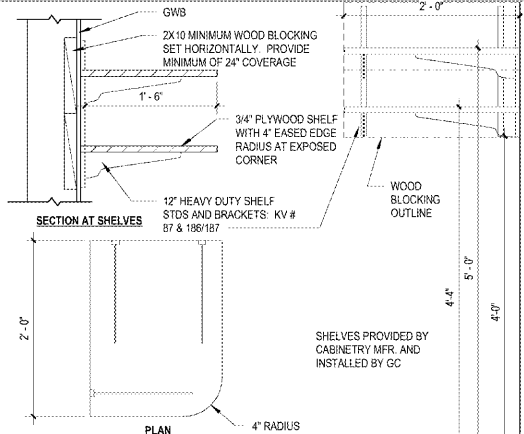
3 FASCIA AT WALK-IN REFRIGERATOR / FREEZER
A11 1 1/2" = 1'-0"



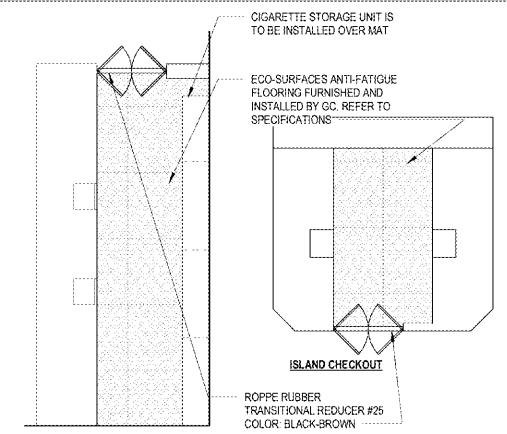
2 FRP DETAILS
A11 12" = 1'-0"



1 DEFLECTION TRACK @ INT. WALL
A11 1" = 1'-0"



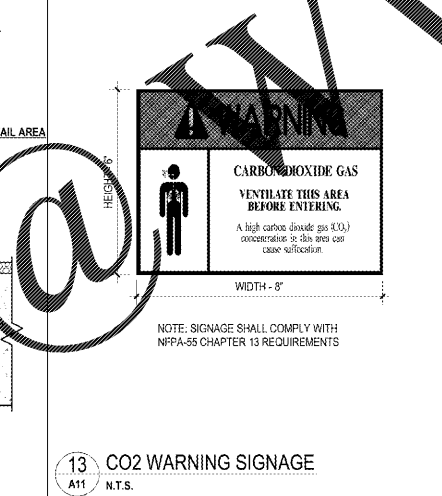
10 OFFICE SHELVING DETAIL
A11 1" = 1'-0"



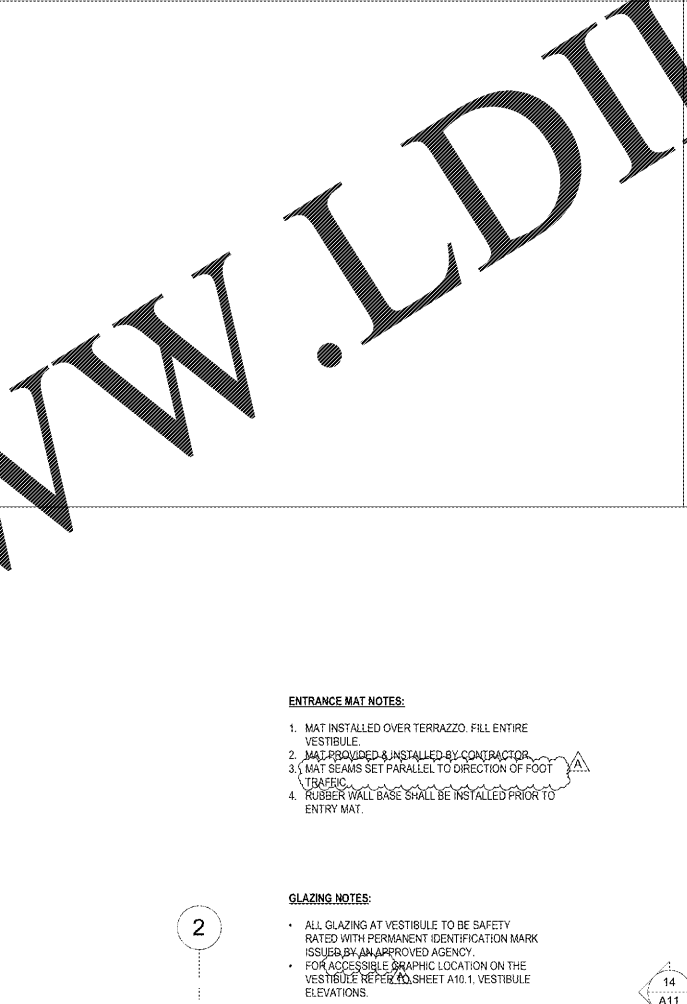
9 CHECKOUT FLOORING DETAIL
A11 1/4" = 1'-0"



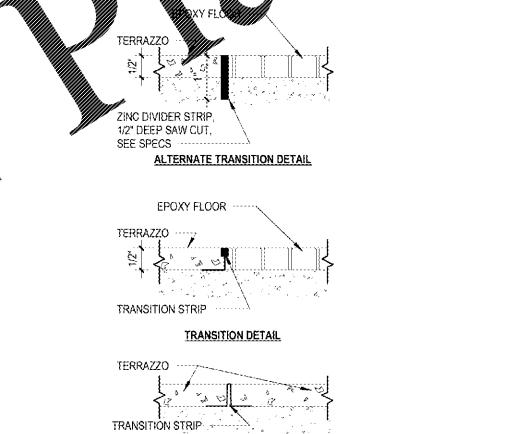
14 ENTRANCE MAT DETAIL
A11



13 CO2 WARNING SIGNAGE
A11 N.T.S.



17 FRONT VESTIBULE MAT DETAIL
A11 1/2" = 1'-0"



19 TERRAZZO DETAILS
A11 6" = 1'-0"

Order Plans

1925 Prospect Ave.
Owensboro, KY 40314
(407) 668-1100
(407) 668-9101
www.c-p.com

4
Chalaci & Peterson
Architects Engineers Planners

CLIENT NAME
WAWA
280 W. BALTIMORE PIKE
WAWA, PA 19083

PROJECT NAME
U45-VA V2018 01-MA
STORE #8647-PHM
PARRHAM RD. & THREE CHOPT RD.
HENRICO, VA

SHEET TITLE
INTERIOR DETAILS

Revision Schedule	No.	Description	Date
	1	PERMIT SET	09/21/2018
	A	REV V2018 01	01/29/2019
		BID SET	01/29/2019

PROJECT NO.
2180130
DATE
09-21-2018
DRAWN
OR
CHECKED
RS

A11