

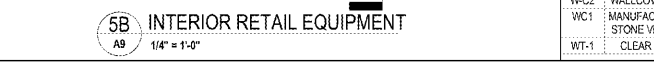
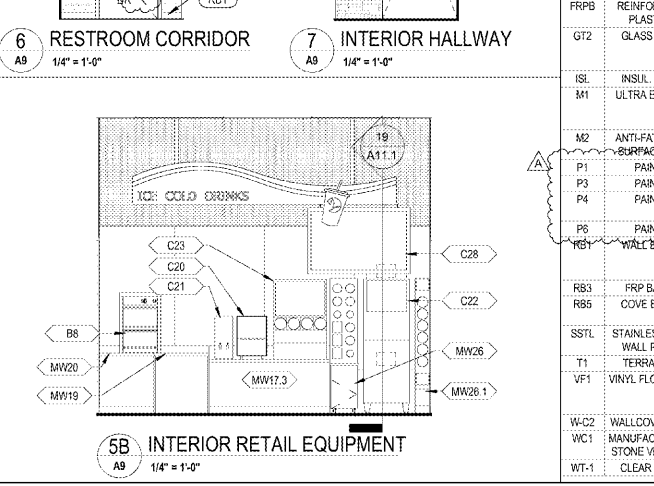
GENERAL NOTES

- MITER CUT ALL TRIM - NO BUTT JOINTS
- PROVIDE CORNER COVE BASE AT ALL CORNERS
- NO FINGER JOINTED WOOD TRIM

ROOM NAME	NO.	WALL		CEILING		DOOR		FLOOR	BASE
		MATERIAL	FINISH	MATERIAL	FINISH	STEEL	FRAME		
RETAIL AREA	1	GWB	PTDIACRC	ACT1	-	ACRC	ACRC	TERRAZZO	RB1
FRONT VESTIBULE	2	GWB / BRAKE MTL	PTDIACRC	GWB	PTD	-	-	MAT OVER TERRAZZO	RB1
FOOD SERVICE	3	MR GWB	TILE	ACT1	-	-	-	TERRAZZO	RB5
COFFEE	4	MR GWB	TILE	ACT1	-	-	-	TERRAZZO	RB5
OFFICE	5	GWB	PTDIACRC	ACT2	-	ACRC	ACRC	TERRAZZO	RB1
HALLWAY	6	GWB	PTDIACRC	ACT1	-	ACRC	ACRC	TERRAZZO	RB1
WOMEN'S RESTROOM	7	MR GWB	PTDIACRC	MR GWB	PTD	ACRC	ACRC	EF-1	EF-1
MEN'S RESTROOM	8	MR GWB	PTDIACRC	MR GWB	PTD	ACRC	ACRC	EF-1	EF-1
RETAIL WALK-IN REFRIG	9	INS. MTL. PANELS	-	INS. MTL. PANELS	-	-	-	TERRAZZO	RB1
FOOD SERVICE WALK-IN FREEZER	10	INS. MTL. PANELS	-	INS. MTL. PANELS	-	-	-	TERRAZZO	RB1
FOOD SERVICE WALK-IN REFRIG.	11	INS. MTL. PANELS	-	INS. MTL. PANELS	-	-	-	TERRAZZO	RB1
WASH ROOM	12	MR GWB	FRP	ACT1	-	-	-	TERRAZZO	RB3/RB1
ASSOCIATE AREA	14	GWB	PTDIACRC	ACT2	-	ACRC/PTD	ACRC/PTD	TERRAZZO	RB1
DELIVERY STAGING	15	GWB	FRP	ACT1	-	PTD	PTD	TERRAZZO	RB1
JANITOR RM	16	MR GWB	FRP	ACT2	-	ACRC	ACRC	TERRAZZO	RB3
ELECTRICAL ROOM	17	PLYWOOD	PTD	ACT2	-	PTD	PTD	TERRAZZO	RB1
METER ROOM	18	PLYWOOD	FRP	GWB	PTD	PTD	PTD	SEALED CONCRETE	RB1
BACKROOM	19	MR GWB	FRP	ACT1	-	PTD	PTD	TERRAZZO	RB1
SELF SERVICE WALK-IN REFRIG	20	INS. MTL. PANELS	-	INS. MTL. PANELS	-	-	-	VINYL OVER TERRAZZO	RB1
REAR VESTIBULE	21	GWB	PTDIACRC	ACT2	-	ACRC/PTD	ACRC/PTD	TERRAZZO	RB1

INTERIOR FINISH SCHEDULE

WT	MATERIAL	MFR	COLOR	REMARKS	NOTES	SUPPLIED BY
ACRC	ACROVYN	IMPACT SPECIALTIES	IRISH CREAM	CLASS 1000 36"X36" SHEETS	USE AT DOORS, FRAMES AND WALLS AS NOTED. APPLY SHEETS VERTICALLY. CONTACT: 988-348-8877	GC
ACT1	ACUSTICAL CEILING TILE	ARMSTRONG	COLOR: WHITE	HEALTH ZONE ULTIMA #1935	ORDER SPECIFIC SPECIALTIES COOK FOR DOORS AND FRAMES. CONTACT: TALLMAN MCM LIFE BY (SEE SPECIFICATIONS)	HJC
ACT2	ACUSTICAL CEILING TILE	ARMSTRONG	COLOR: WHITE	#770 CORTEGA	SQUARE LAY-IN 24" X 24" X 3/4" (SCRUBBLE) ARMSTRONG PRELUDE 1516" EXPOSED TEE SYSTEM. COLOR: WHITE SEE SPECIFICATIONS	HJC
ACT3	ACUSTICAL CEILING TILE	ARMSTRONG	COLOR: HAZE	CIRRUS BEVELED TEGULAR #699	SQUARE LAY-IN 24" X 24" X 3/4" WITH SUPRAPHINE 916" EXPOSED TEE SUSPENSION SYSTEM. COLOR: HAZE	HJC
ACY	ACRYLIC PANEL	EVONK INDUSTRIES	WHITE	ACRYLITE HI-GLOSS	TO BE USED AT SELF-SERVE BEVERAGE AREA WALLS. CONTACT: LAURA HESCOCK (973)929-8307	GC
CT1	CERAMIC TILE	GRANIT FIANDRE (RIS CERAMICA)	754960 CALX ECRU	4X 12", 1/16" GROUT JOINT, 1/3 RUNNING PATTERN	TO BE USED AT FOOD SERVICE. GROUT: LATICRETE SPECTRALOCK PRO PREMIUM EPOXY (SANDED). COLOR: #04 NATURAL GREY. SILICONE SEALANT TO BE USED AT INNER CORNERS & PERIMETERS. CORNERS: SCHLUTER STRIP, COLOR: SATIN NICKEL.	HJC
CT2	CERAMIC TILE	GRANIT FIANDRE (RIS CERAMICA)	752286 YEOREMA CAFFE TLE	10" X 18", 1/8" GROUT JOINT, 1/3 RUNNING PATTERN	TO BE USED AT COFFEE AREA & SPECIALTY BEVERAGE AREA. GROUT: LATICRETE PERMACOLOR CEMENT GROUT (SANDED), COLOR: #30 MOCHA. LATICRETE LATA SILICONE SEALANT TO BE USED AT INNER CORNERS & PERIMETERS. CORNERS: SCHLUTER STRIP, COLOR: SATIN NICKEL.	HJC
CT3	CERAMIC TILE	STONEPEAK CERAMICS INC.	USH1212002 HONEY HONED	12" X 12", 1/8" GROUT JOINT, GROUT FLUSH WITH TILE, 1/3 RUNNING BOND PATTERN	RESTROOM WALLS. GROUT: LATICRETE SPECTRALOCK PRO PREMIUM EPOXY (SANDED). COLOR: #40 LATTE. LATICRETE LATA SILICONE SEALANT TO BE USED AT INNER CORNERS & PERIMETERS. CORNERS: SCHLUTER STRIP, COLOR: LIGHT BEIGE.	HJC
CT4	GLASS TILE - ACCENT	CROSSVILLE	GLASS BLOX BLENDS: G802 ORANGE SIZZLE/ FLAME/DAZZLE RED	12" X 12", MESH MOUNTED, 1/8" GROUT JOINT, GROUT FLUSH WITH TILE	RESTROOM WALLS. GROUT: LATICRETE SPECTRALOCK PRO PREMIUM EPOXY (SANDED). COLOR: #40 LATTE. LATICRETE LATA SILICONE SEALANT TO BE USED AT INNER CORNERS & PERIMETERS. CORNERS: SCHLUTER STRIP, COLOR: LIGHT BEIGE.	HJC
EF-1	EPOXY FLOOR	KEY RESIN CO	WAWA CUSTOM BLEND RE-SPECS.	1/4" THICK W/ 6" HIGH INTEGRAL FORMED BASE	TRANSITION TO 1/2" TERRAZZO OVER 20' DISTANCE. SEE SPECS. PERMAFLOR REP CONTACT: HOWARD ACKERMAN (877)823-5667 OR (800)959-4208.	GC
EPX1	EPOXY WALL FINISH	BENJAMIN MOORE	GLACIER WHITE #0C-37	SEE SPECS	TRASH COMPOUND, INTERIOR OF CMU WALL. RE. SHEET A12	GC
EPX2	CONC. SEALER	BENJAMIN MOORE	POLYAMIDE EPOXY CLEAR	SEE SPECS	SEE MFR. SPECS. USE ON CONCRETE FLOOR @ TRASH COMPOUND, ELECTRICAL ROOM, AND METER ROOM	GC
FRPB	REINFORCED PLASTIC	CRANE COMPOSITES	BEIGE #0070	CLASS C 49" X 96" SHEETS	APPLY SHEETS VERTICALLY, NO SEAMS. USE FRP ACCORDING TO FINISH FRP CORNERS TO MATCH COLOR.	HJC
G72	GLASS TILE	DALTILE	CAPRICE WHISPER GREEN #F165	12" X 12", MESH MOUNTED, 1/8" GROUT JOINT	TO BE USED AT RETAIL WALK-IN REFRIG. & SELF-SERVE BEVERAGE AREA. GROUT: LATICRETE PERMACOLOR CEMENT GROUT (SANDED), COLOR: #44 BRIGHT WHITE. LATICRETE LATA SILICONE SEALANT TO BE USED AT INNER CORNERS & PERIMETERS. CORNERS: SCHLUTER STRIP, COLOR: SATIN NICKEL.	HJC
ISL	INSUL. PNL.	REF. CO. MATS INC.	BASE COLOR: GRAY BASE WITH CHARCOAL SPLASH	3/8" THICK	INTERIOR MAT OVER TERRAZZO PROVIDED AND INSTALLED BY G.C. VENDOR CONTACT MATS INC., MARY CRANE, PHONE: (781) 573-0265. MCRANE@MATSINC.COM	KYSOR GC
M2	ANTI-FATIGUE SURFACES-PB	ECOR-AX	JAILHOUSE ROCK	SEE SPEC.	INSTALLED OVER TERRAZZO WITH ACCESSIBLE COMPLIANT REDUCER STRIP BY ROPPER CORPORATION	GC
P1	PAINT	BENJAMIN MOORE	MUSLIN #1037	EGGSHELL	GYPSON BOARD WALLS AND BOTTOMS OF SOFFITS, U.N.O. PRIMER/SEALER AND FINISH COAT AS SPECIFIED.	GC
P3	PAINT	BENJAMIN MOORE	ARTISAN BROWN	SEMIGLOSS	TO BE USED AT ACCENT WALLS. PRIMER: ULTRASPEC 500 INTERIOR LATEX N634. PAINT: ULTRASPEC 500 N638	GC
P4	PAINT	BENJAMIN MOORE	MUSLIN #1037	SEMIGLOSS	GYPSON BOARD WALLS AND CEILINGS IN THE RESTROOMS, WOOD TRIM, INTERIOR SURFACES OF EXTERIOR DOORS AND FRAMES, INTERIOR DOORS AND FRAMES AS NOTED, AND ACCESS PANELS. PRIMER/SEALER AND FINISH COAT AS SPECIFIED.	GC
P6	PAINT	BENJAMIN MOORE	STORM GRAY #AF-700	SEMIGLOSS	FOR ELECTRICAL WALLS, PRIMER/SEALER AND FINISH COAT AS SPECIFIED.	GC
WB1	WALL BASE	SCORPIONITE	RUBBER BASE (COVERED, BLACK 40)	SEE SPEC.	1/2" STRAIGHT LENGTHS WITH 1/2" COVERED RUBBER FACTORY FLOORING. DO NOT USE CONTRACTOR'S WITH "RETURN" OR "DISH" MARKET 980 COVE BASE ADHESIVE (POROUS SURFACES) OR TARKETT 946 PREMIUM CONTACT ADHESIVE (NON-POROUS SURFACES) APPLIED PER MANUFACTURER'S STANDARD RECOMMENDATION AND INSTALLATION INSTRUCTIONS	GC
RB3	FRP BASE	MARLITE	BLACK	16 GAUGE	TO BE USED BEHIND HEAT PRODUCING EQUIPMENT AT THE BACK OF HOUSE. SEE DETAIL 20/A11.1	GC
RB5	COVE BASE	SCHLUTER SYSTEMS	DILEX-APKA 80AE SATIN ANODIZED ALUMINUM BRUSHED FINISH	16 GAUGE	WILL NEED CONNECTORS: 2-WAY INSIDE CORNERS AND ENDCAPS	HJC
SSTL	STAINLESS STL WALL PNL'S			1/2" THICK	ALL FLOOR AREAS EXCEPT RESTROOMS & FREEZERS U.N.O	GC
T1	TERRAZZO			1/2" THICK	VINYL FLOORING BY OWNER IN SELF-SERVE WALK-IN REFRIGERATOR. GC TO PROVIDE COVE BASE AND TRANSITION STRIP (JOHNSONITE-8CTA-1XX) AT DOOR. COLORS TO MATCH FLOORING	GC
VF1	VINYL FLOORING	SHAW	FORMULA #7 STYLE: QUIET COVER 2000 COLOR: 1600 #0070	1/2" THICK	VINYL FLOORING BY OWNER IN SELF-SERVE WALK-IN REFRIGERATOR. GC TO PROVIDE COVE BASE AND TRANSITION STRIP (JOHNSONITE-8CTA-1XX) AT DOOR. COLORS TO MATCH FLOORING	WAWA
W-C2	WALLCOVERING				SUPPLIED AND INSTALLED BY WAWA VENDOR	OMEGA
WC1	MANUFACTURED STONE VENEER	BORAL STONE		PRO-FIT LEDGESTONE	TO BE USED AT ACCENT WALL FOR WALL CHECKOUT	GC
WT-1	CLEAR PINE			PAINTED P-1	FOR 1X2 TRIM. SEE DETAIL 6/A11.2	GC



Order Plans @ WWW.WNDLINE.COM

1925 Prospect Ave.  
Owensboro, KY 40301  
(407) 668-1100  
(407) 668-9101  
www.wndline.com

**WAWA**  
280 W. BALTIMORE PIKE  
WAWA, PA 19083

PROJECT NAME: U45-VA V2018 01-MA STORE #6647-PHM  
PARHAM RD. & THREE CHOPT RD. HENRICCO, VA

Revision Schedule  
No. Description Date  
A PERMIT SET 09/21/2018  
REV V2018 01 01/29/2019  
BID SET 01/28/2019

PROJECT NO: 2180130  
DATE: 09-21-2018  
DRAWN BY: [Blank]  
CHECKED BY: [Blank]  
DATE: [Blank]

RETAIL ELEVATIONS & SCHEDULES

A9