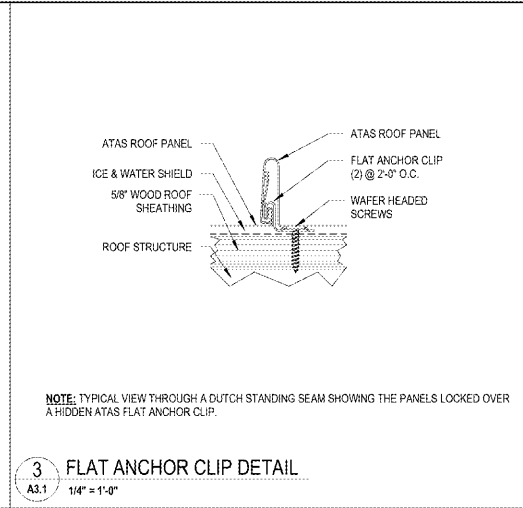
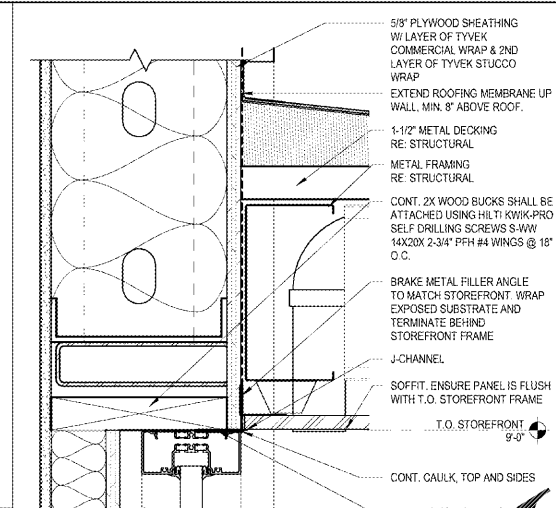


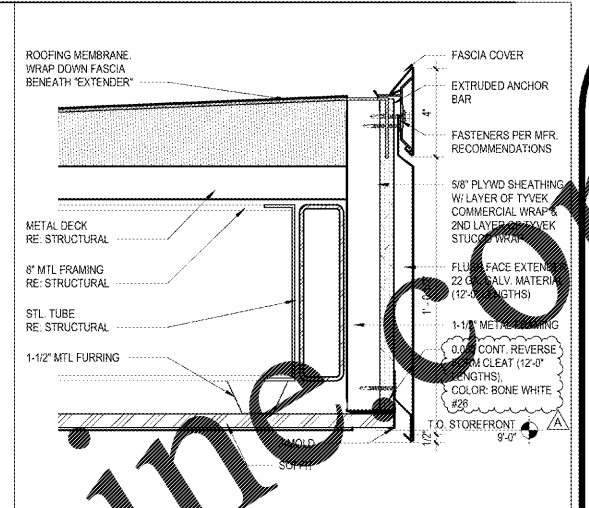
5 TOWER EAVE DETAIL
A3.1 3" = 1'-0"



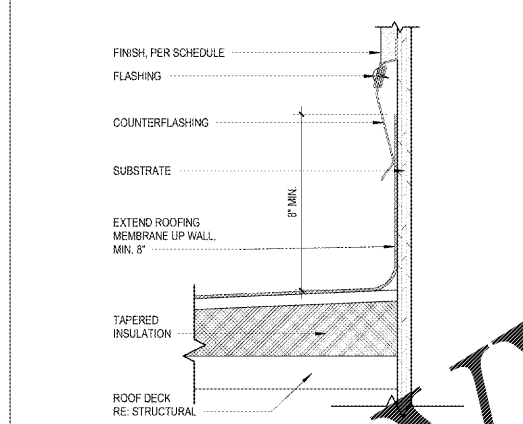
3 FLAT ANCHOR CLIP DETAIL
A3.1 1/4" = 1'-0"



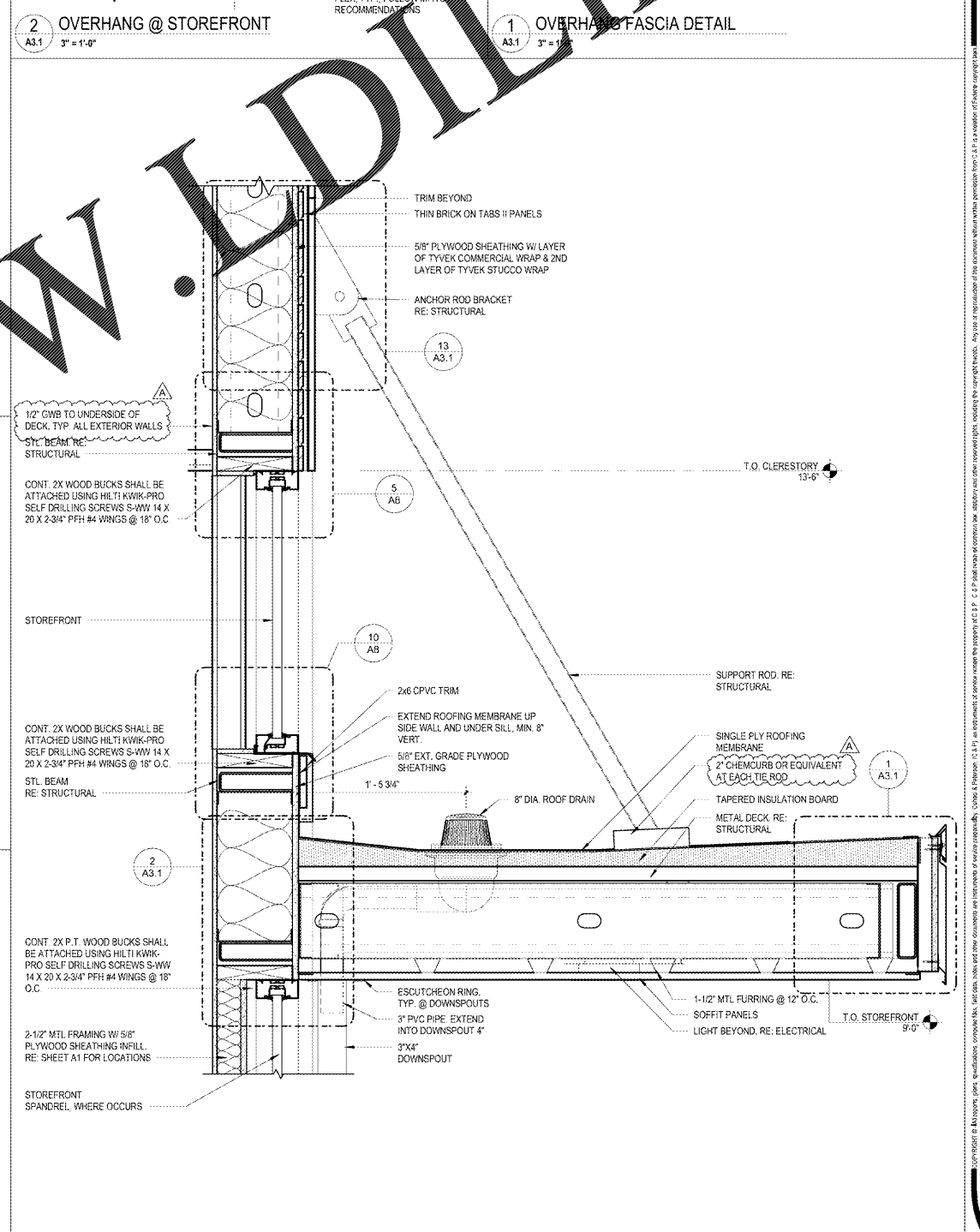
2 OVERHANG @ STOREFRONT
A3.1 3" = 1'-0"



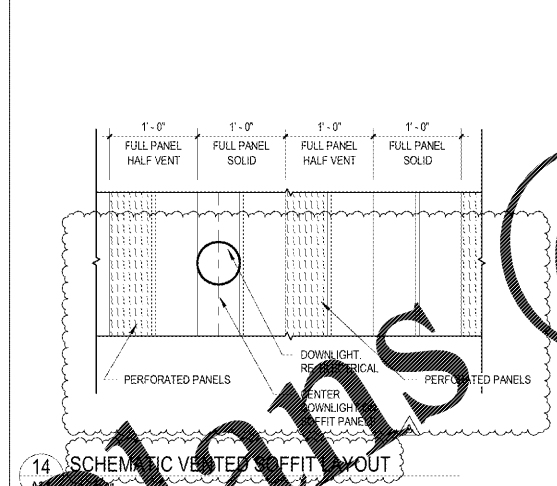
1 OVERHANG @ FASCIA DETAIL
A3.1 3" = 1'-0"



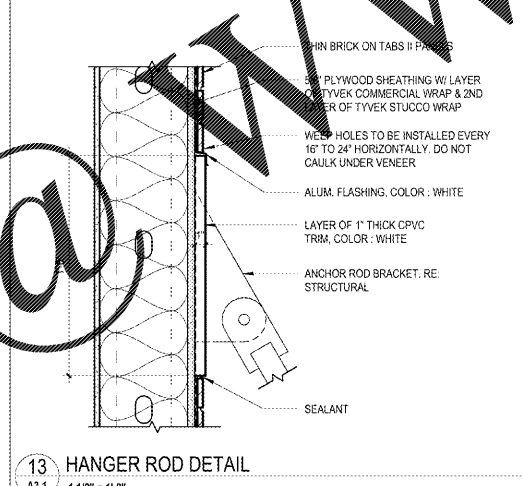
8 TRANSITION AT ROOFING/EXTERIOR FINISH
A3.1 3" = 1'-0"



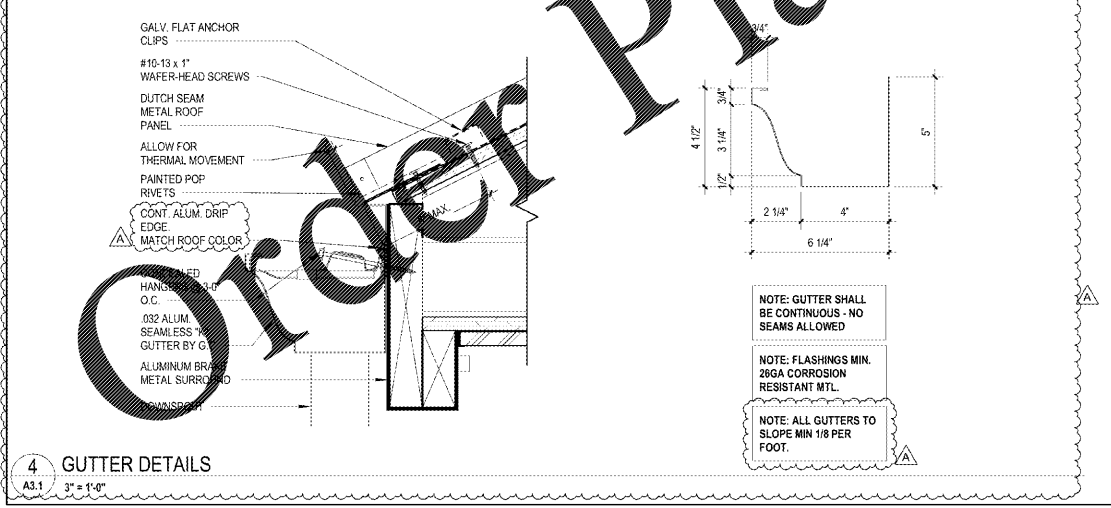
17 PORCH OVERHANG SECTION
A3.1 1 1/2" = 1'-0"



14 SCHEMATIC VENTED SOFFIT LAYOUT
A3.1 3" = 1'-0"



13 HANGER ROD DETAIL
A3.1 1 1/2" = 1'-0"



4 GUTTER DETAILS
A3.1 3" = 1'-0"

1925 Prospect Ave.
Owensboro, KY 40301
(407) 668-1100
(407) 668-9101
www.c-p.com

Chahaci & Peterson
Architects Engineers Planners

CLIENT NAME
WAWA
280 W. BALTIMORE PIKE
WAWA, PA 19083

PROJECT NAME
U45-VA V2018 01-MA
STORE #8647-PHM
PARRHAM RD. & THREE CHOFT RD.
HENRICO, VA

SHEET TITLE
ROOF DETAILS

Revision Schedule	No.	Description	Date
PERMIT SET	A	REV V2018 01	09/21/2018
BID SET	A	REV V2018 01	01/28/2019
		BID SET	01/28/2019

PROJECT NO.
2180133

DATE
09-21-2018

DRAWN
OR

CHECKED
RS

A3.1