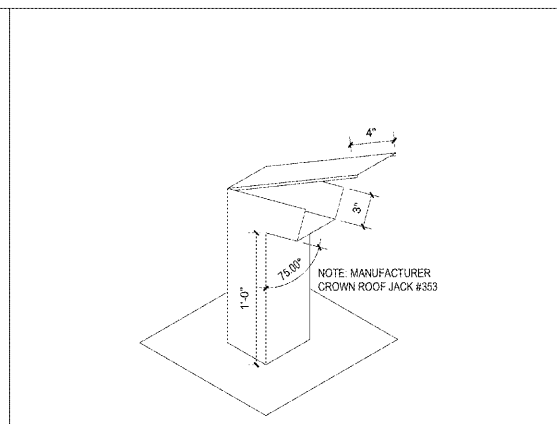
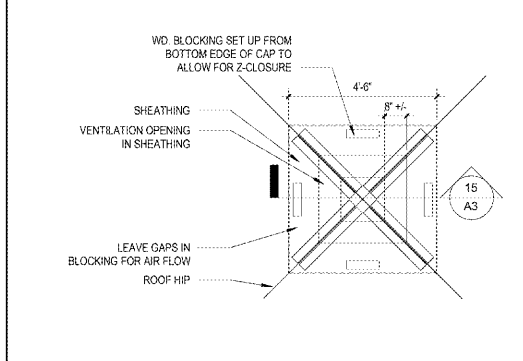


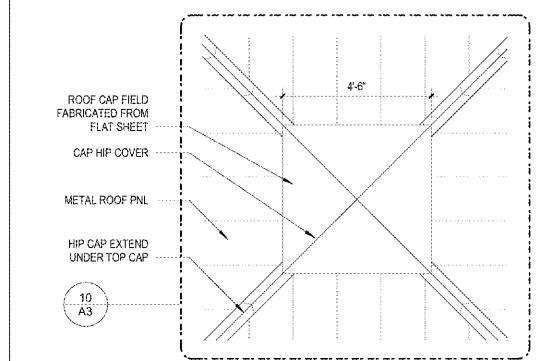
5 TOWER ATTIC PLAN
A3 3/16" = 1'-0"



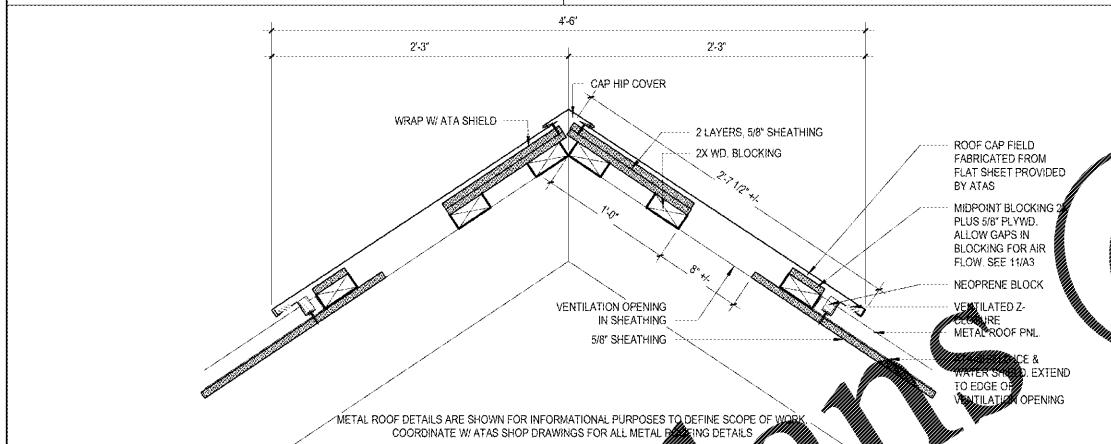
4 LINE JACK DETAIL
A3 1 1/2" = 1'-0"



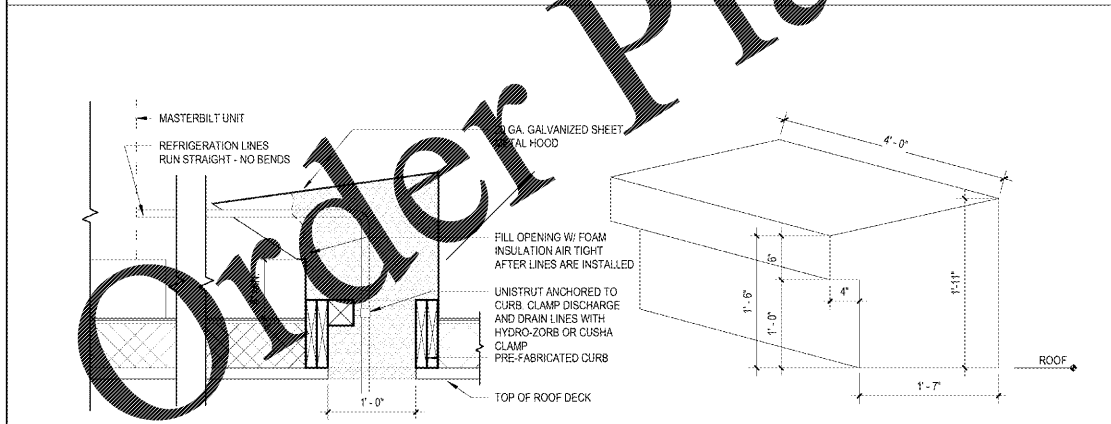
10 ROOF CAP BLOCKING PLAN
A3 3/8" = 1'-0"



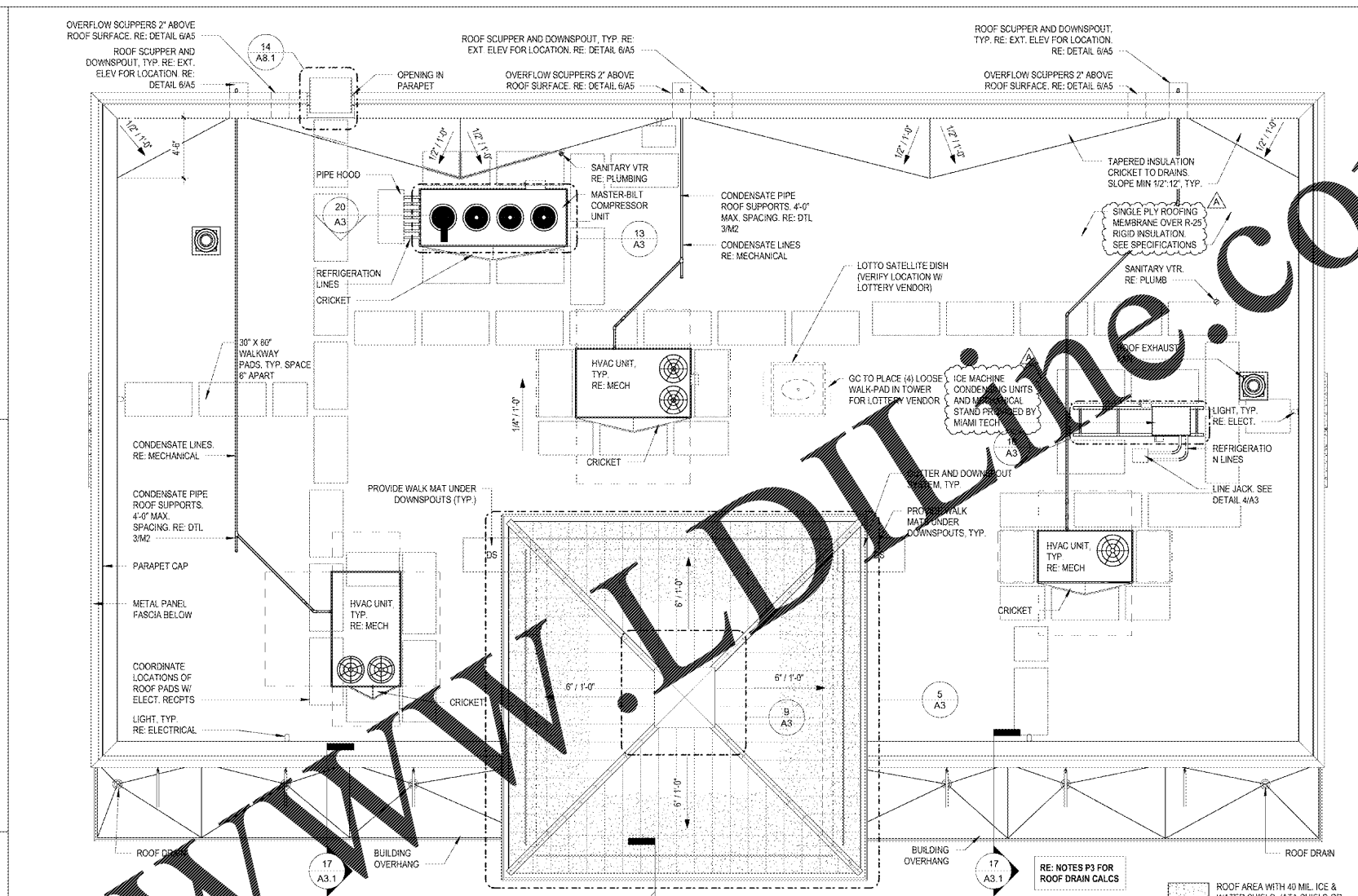
9 ROOF CAP PLAN VIEW
A3 3/8" = 1'-0"



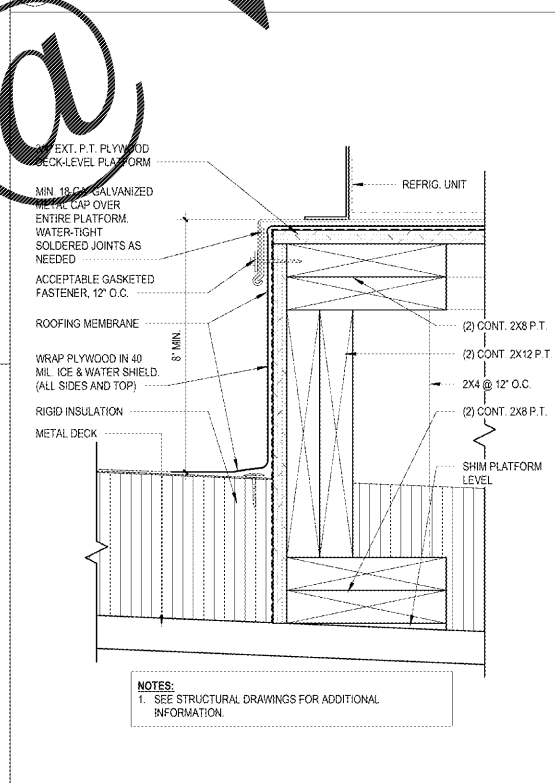
15 TOWER CAP HIP DETAIL
A3 1 1/2" = 1'-0"



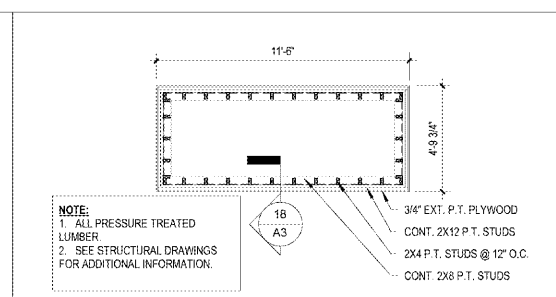
20 PIPE HOOD DETAIL
A3 1" = 1'-0"



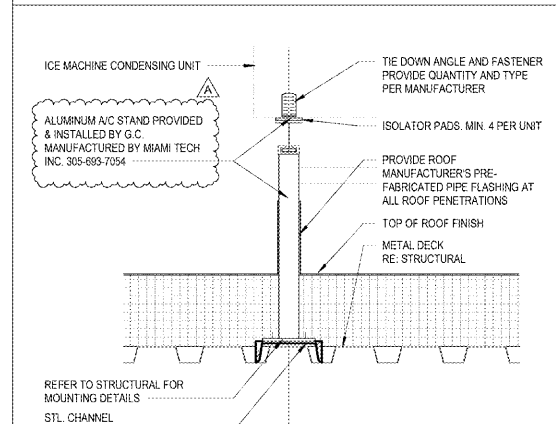
1 ROOF PLAN
A3 3/16" = 1'-0"



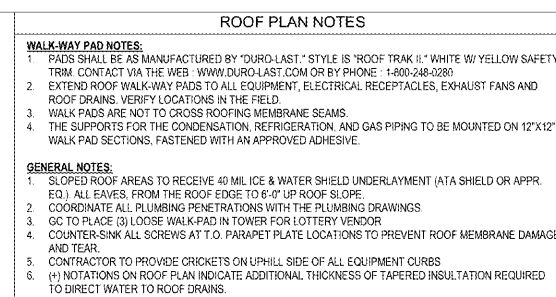
18 COMPRESSOR PLATFORM DETAIL
A3 3" = 1'-0"



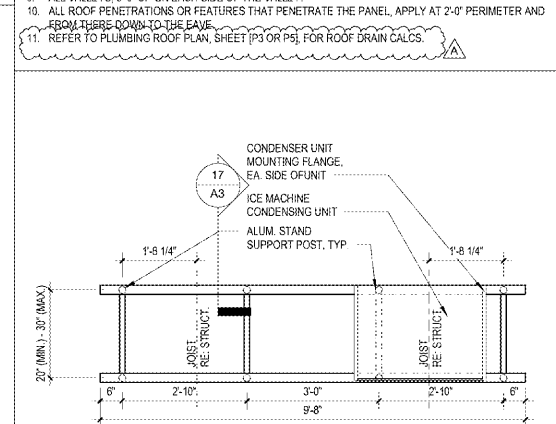
13 COMPRESSOR PLATFORM PLAN
A3 1/4" = 1'-0"



17 CONDENSING UNIT ROOFTOP SUPPORT DETAIL
A3 1 1/2" = 1'-0"



16 ICE MACHINE CONDENSER DETAIL
A3 1/2" = 1'-0"



16 ICE MACHINE CONDENSER DETAIL
A3 1/2" = 1'-0"

Order Plans @

1925 Respect Ave.
Owensboro, KY 40314
(407) 668-1100
(407) 668-9101
www.c-p.com

4

Chalaci & Peterson
Architects Engineers Planners

CLIENT NAME
WAWA
280 W. BALTIMORE PIKE
WAWA, PA 19083

PROJECT NAME
U45-VA V2018 01-MA
STORE #8647-PHM
PARRHAM RD. & THREE CHOFT RD.
HENRICO, VA

REVISIONS

No.	Description	Date
1	PERMIT SET	09/21/2018
2	REV V2018 01	01/29/2019
3	BID SET	01/28/2019

PROJECT NO.
2180130

DATE
09-21-2018

DRAWN
OR

CHECKED
RS

A3