

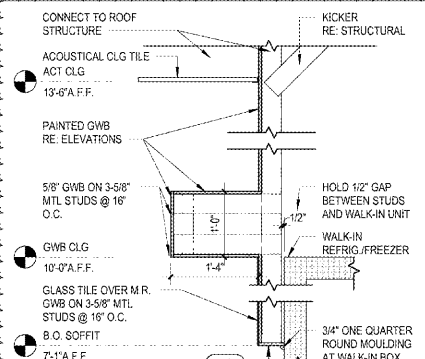
1 REFLECTED CEILING PLAN  
A2 1/4" = 1'-0"

REFLECTED CEILING PLAN LEGEND

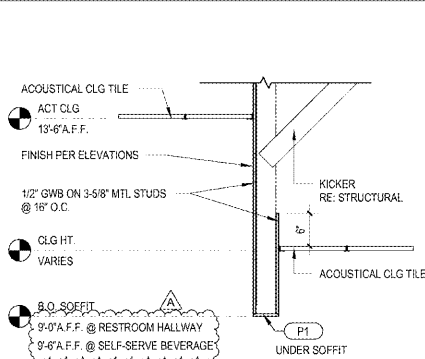
- (M) CEILING MOUNTED MUSIC SPEAKERS
- 1-WAY DIFFUSER
- 2-WAY DIFFUSER - CORNER
- 3-WAY DIFFUSER - OPPOSITE
- (P2) SUPERIOR FINISH TAG SHEET AS FOR FINISH SCHEDULE

GENERAL NOTES

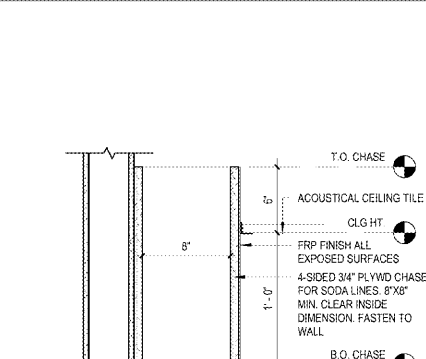
1. REFER TO SHEET E2 FOR LIGHTING FIXTURE INFORMATION.
2. INSTALL 3/4" QUARTER ROUND MOLDING TO COMPLETELY SEAL THE JOINT BETWEEN THE SOFFIT WALK-IN AND WALK-IN REFRIGERATOR. PAINT MOLDING. COLOR: P1.
3. ANY EXPOSED GWB CEILINGS TO BE PAINTED. COLOR: MUSLIN, P2 U.N.O.
4. GWB CONSTRUCTION: 8" 16 GA. METAL STUDS @ 24" O.C. INSULATED, U.N.O.
5. REFER TO SHEET "M1" FOR AIR DIFFUSERS AND RETURN AIR GRILLES INFORMATION.
6. DO NOT INSTALL ACCESS PANELS IN WALK-IN FREEZERS OR REFRIGERATORS. REFER TO INTERIOR FINISH SCHEDULE, SHEET A9 FOR CEILING SPECIFICATIONS.



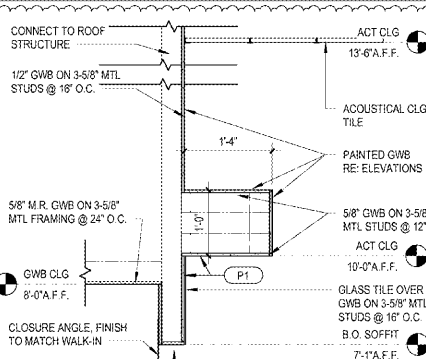
2 PERIMETER FASCIA DETAIL  
A2 3/4" = 1'-0"



3 FASCIA DETAIL  
A2 3/4" = 1'-0"

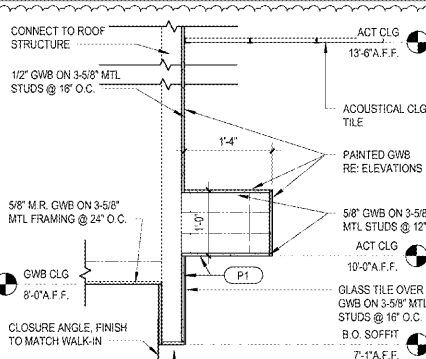


5 SODA CHASE DETAIL  
A2 1 1/2" = 1'-0"



6 FASCIA @ REACH-IN FREEZER  
A2 3/4" = 1'-0"

7 PERIMETER FASCIA DETAIL @ BEER COOLER  
A2 3/4" = 1'-0"



7 PERIMETER FASCIA DETAIL @ BEER COOLER  
A2 3/4" = 1'-0"

1925 Prospect Ave.  
Owensboro, KY 40314  
(407) 668-1100  
(407) 668-9101  
www.c-p.com

**4**  
**Chalaci & Peterson**  
Architects Engineers Planners

CLIENT NAME  
**WAWA**  
280 W. BALTIMORE PIKE  
WAWA, PA 19083

PROJECT NAME  
**U45-VA V2018 01-MA**  
**STORE #6647-PHM**  
PARRHAM RD. & THREE CHOPT RD.  
HENRICO, VA

SHEET TITLE  
**REFLECTED CEILING PLAN**

Revision Schedule	No.	Description	Date
	A	PERMIT SET	09/21/2018
	B	REV V2018 01	01/29/2019
	C	BID SET	01/29/2019

PROJECT NO. 2180130  
DATE 09-21-2018  
DRAWN OR  
CHECKED  
RS

A2