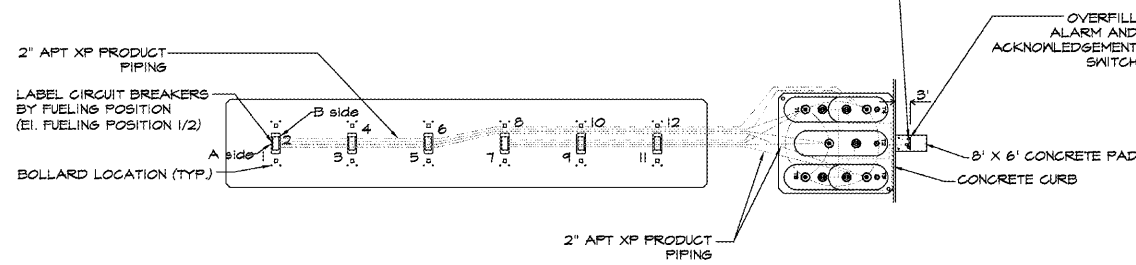
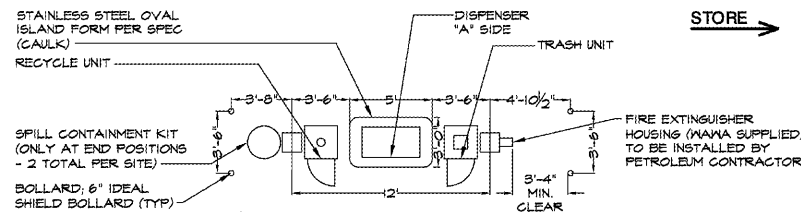


VENT LINES 3" GALVANIZED VENT STACK FOR GASOLINE (2" GALVANIZED VENT STACK FOR DIESEL) ABOVE GRADE, 3" RIGID DOUBLE WALL FIBERGLASS FOR GASOLINE (2" FOR DIESEL) BELOW GRADE. PER MANUFACTURER'S INSTRUCTIONS, TERMINATE SECONDARY W/ FRP TERMINATION FITTING. SET MIN. 3' BEHIND CURB. INSTALL (2) 6" IDEALSHIELD BOLLARDS IN FRONT OF VENT STACK IN PVC SLEEVE (PER SPEC). SET IN 8' X 6' CONCRETE PAD.



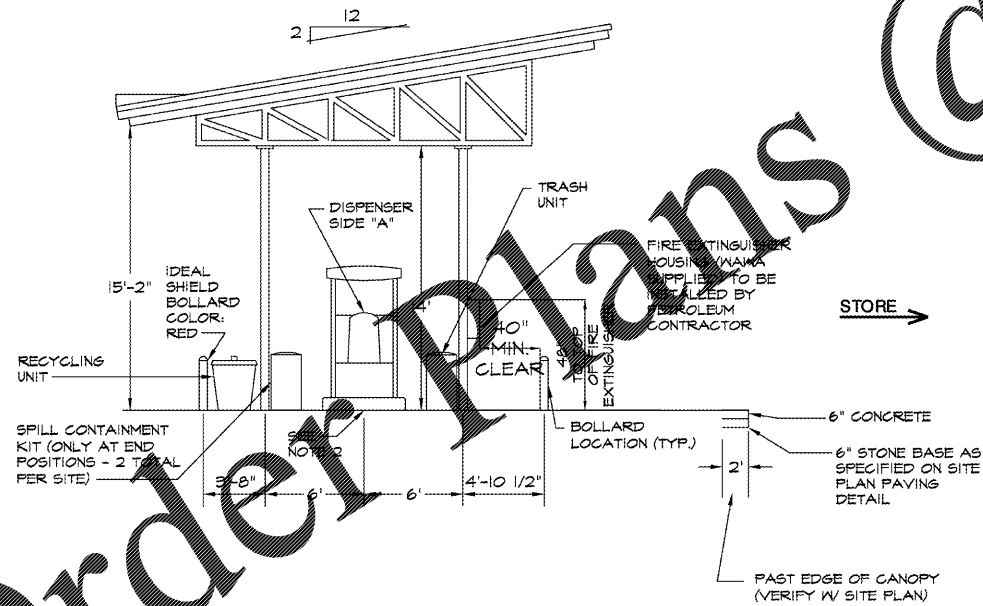
**A** TYPICAL PIPING RUNS  
6-3 SCALE: 1" = 30'-0"

NOTES:  
1) TYPICAL LAYOUT FOR APT XP PRODUCT PIPING - SEE SITE PLAN FOR TANK/CANOPY LAYOUTS; LOCATE PIPING RUNS ACCORDINGLY.  
2) FINAL LOCATION OF DIESEL DISPENSERS TO BE VERIFIED WITH WAWA PROJECT MANAGER. SEE SITE PLAN FOR SPECIFIC DIESEL FUELING LOCATIONS. ALL MPDs IN FLORIDA SHALL BE 3+1 DISPENSERS.  
3) VERIFY ALL PIPING WITH WAWA PROJECT MANAGER PRIOR TO INSTALLATION.



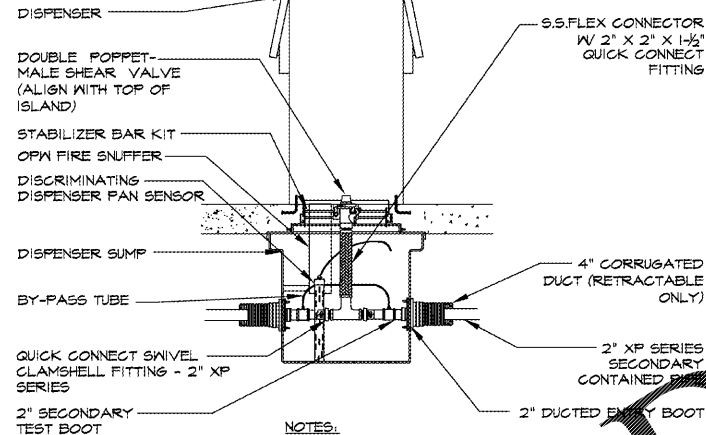
**B** ISLAND PLAN  
6-3 SCALE: 3/16" = 1'-0"

NOTES:  
1. VERIFY WITH BUILDING/ CANOPY DRAWINGS BY ARCHITECT (NOT FOR CONSTRUCTION)  
2. BOLLARDS BETWEEN DISPENSERS SHALL BE PROVIDED AT END POSITIONS ONLY (VERIFY PLAN WITH LAYOUT).



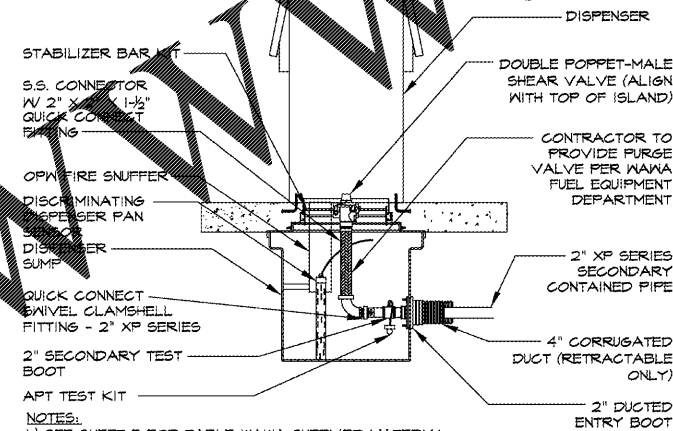
**C** CANOPY ELEVATION  
6-3 SCALE: 3/16" = 1'-0"

NOTES:  
1. REFER TO BUILDING/ CANOPY DRAWINGS BY ARCHITECT (NOT FOR CONSTRUCTION)  
2. CURB REVEAL TO BE 6" AT CENTER OF ISLAND FORM (NO MORE, NO LESS)  
3. BOLLARDS BETWEEN DISPENSERS SHALL BE PROVIDED AT END POSITIONS ONLY (VERIFY PLAN WITH LAYOUT).



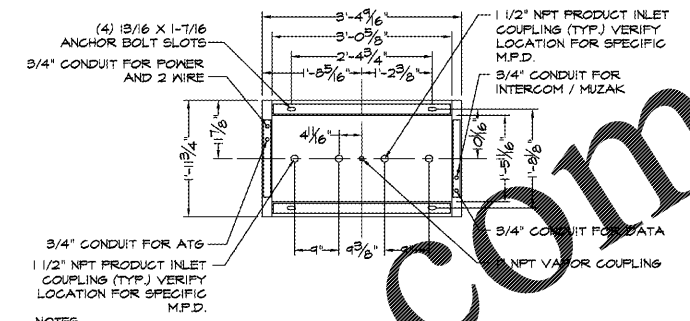
**D** SIDE VIEW DISPENSER SUMP - INLINE  
6-3 SCALE: 3/4" = 1'-0"

NOTES:  
1) SEE SHEET 5 FOR TABLE WAWA SUPPLIED MATERIAL FOR SPECIFIC PART IDENTIFICATION.



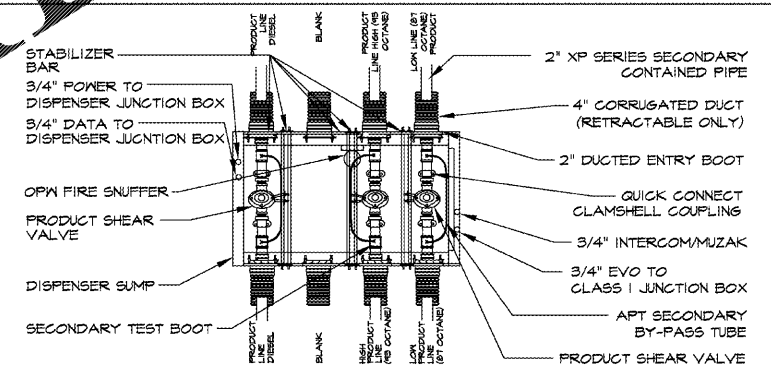
**E** SIDE VIEW DISPENSER SUMP - TERMINATING  
6-3 SCALE: 3/4" = 1'-0"

NOTES:  
1) SEE SHEET 5 FOR TABLE WAWA SUPPLIED MATERIAL FOR SPECIFIC PART IDENTIFICATION.



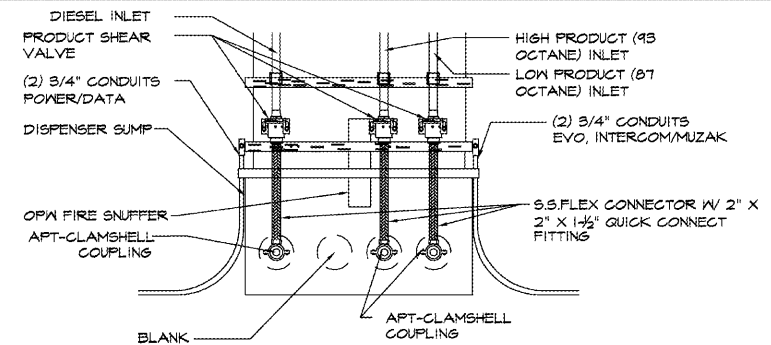
**F** DISPENSER BASE DIMENSIONS  
6-3 SCALE: 3/4" = 1'-0"

NOTES:  
1. CONTRACTOR IS RESPONSIBLE FOR CORRECT ORIENTATION OF THE STUB- UPS TO THE DISPENSER.  
2. "STUB - UP" FROM HEADERS MUST MATCH LOCATION SHOWN IN THIS PLAN TO MATCH DISPENSER'S INTERNAL CONFIGURATION.  
3. CONTRACTOR TO VERIFY DIESEL DISPENSER ORIENTATION WITH WAWA FUEL DEPARTMENT.  
4. DIMENSIONS SHOWN IN THIS VIEW ARE TO BE USED FOR SIZING UNDER DISPENSER CONTAINMENT AND CONCRETE CURB CLEARANCE.  
5. USE CONDUIT KICKOUT METAL SUMP TOP FOR PLACEMENT OF DISPENSER CONDUITS.  
6. VERIFY ALL PRODUCT INLETS FOR SPECIFIC TYPE OF DISPENSER BEING INSTALLED PRIOR TO DRILLING SUMP ENTRY BOOT ACCESS HOLES.



**G** PLAN VIEW DISPENSER SUMP DETAIL - INLINE (3+1)  
6-3 SCALE: 3/4" = 1'-0"

NOTES:  
1) SEE SHEET 5 FOR TABLE WAWA SUPPLIED MATERIAL FOR SPECIFIC PART IDENTIFICATION.  
2) VERIFY ALL PRODUCT INLETS FOR SPECIFIC TYPE OF DISPENSER BEING INSTALLED PRIOR TO DRILLING SUMP ENTRY BOOT ACCESS HOLES.



**H** DISPENSER SUMP - SECTION VIEW (3+1)  
6-3 SCALE: 3/4" = 1'-0"

NOTES:  
1) INSTALL DISPENSER IN ACCORDANCE WITH MANUFACTURER'S INSTRUCTIONS.  
2) VERIFY ALL PRODUCT INLETS FOR SPECIFIC TYPE OF DISPENSER BEING INSTALLED PRIOR TO DRILLING SUMP ENTRY BOOT ACCESS HOLES  
3) SEE SHEET 5 FOR TABLE WAWA SUPPLIED MATERIAL FOR SPECIFIC PART IDENTIFICATION.

NO.	DATE	REVISION	BY
7.	08/15/18	GENERAL REVISION	A.M.T.
6.	01/07/18	GENERAL REVISION	A.M.T.
5.	06/02/17	GENERAL REVISION	J.C.F.
4.	04/11/17	GENERAL REVISION	L.D.K.

SCALE	DATE	DRAWN BY	CHECKED BY
AS NOTED	4/01/14	DCV	REK

**GASOLINE DETAILS**  
PENNSYLVANIA / VIRGINIA  
STRAIGHT 6  
SLOPED ROOF

**Wawa**  
280 WEST BALTIMORE PKE  
WAWA, PA 8063  
PHONE 610.268.8000 FAX 610.268.8885

3.5  
DRAWING NO.  
3 OF 5  
SHEET NO.