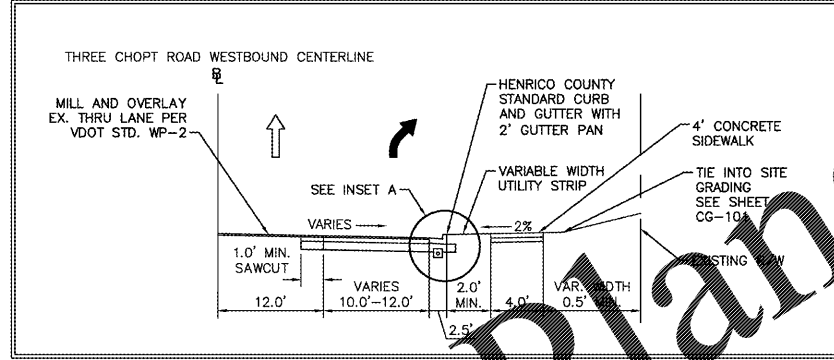
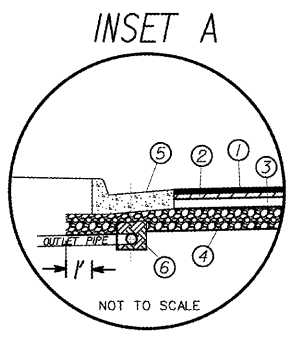
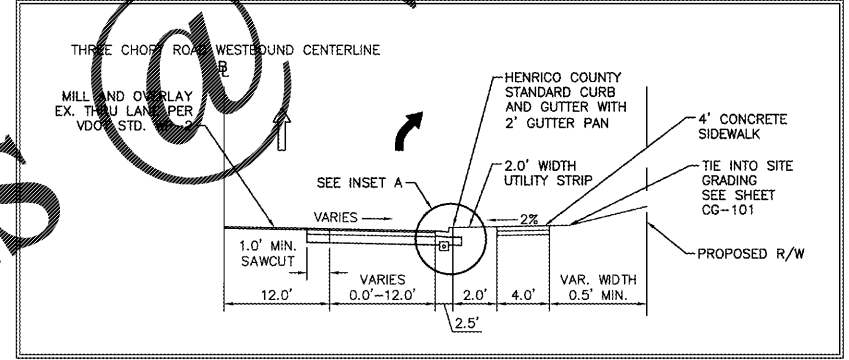


THREE CHOPT ROAD
TYPICAL SECTION: STA 11+95.91 TO STA 12+82.17

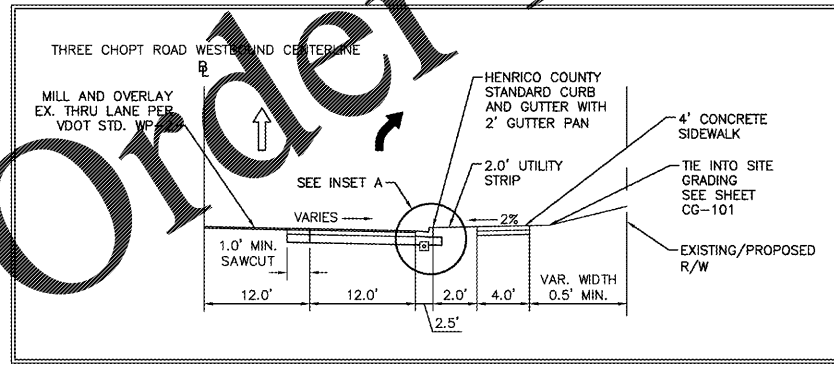


THREE CHOPT ROAD
TYPICAL SECTION: STA 14+79.28 TO STA 15+82.24



NOTE: PAVEMENT SECTION SHOWN FOR BIDDING PURPOSES ONLY. CONTRACTOR TO MATCH EXISTING PAVEMENT SECTION AT TIME OF CONSTRUCTION. CORING MAY BE REQUIRED.

THREE CHOPT ROAD
TYPICAL SECTION: STA 12+82.17 TO STA 14+79.28



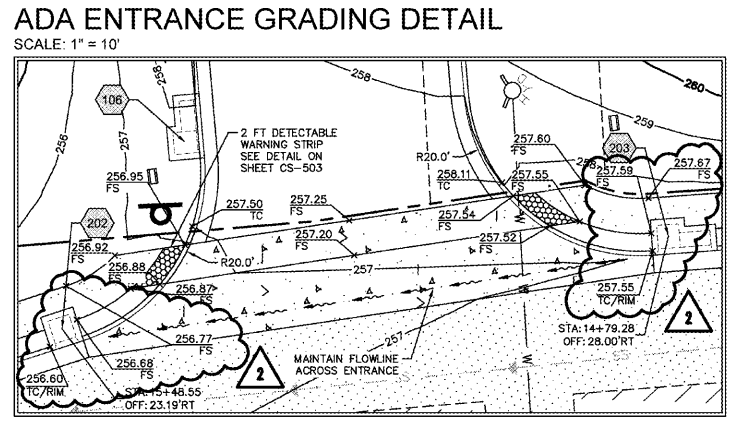
LEGEND AND NOTES

LEGEND

- PROPOSED PAVEMENT (SEE INSET A)
- MILL & OVERLAY PER VDOT STD. WP-2
- STORM STRUCTURE CALLOUT

NOTES

- SEE SHEET CS-503 FOR VDOT STANDARD DETAILS.
- VDOT STD. PM-3 PAVEMENT MARKINGS ARE REQUIRED. SEE DETAIL ON SHEET CS-503.



No.	REVISIONS	DATE	BY
1	OIL WATER SEPARATION	11/07/18	RRP
2	ORIGINALLY CHANGED TO 12" AGGREGATE	12/02/18	RRP
3	UNDERGROUND PIPE CONNECTIONS	01/03/19	RRP
4	PHASE II EAS REVISIONS	01/14/19	RRP
5	BID SET REVISIONS	01/17/19	RRP

Kimley»Horn

© 2018 KIMLEY-HORN AND ASSOCIATES, INC.
1700 WILLOW LAWN DR., SUITE 200, RICHMOND, VA 23230
PHONE: 804-673-3822
WWW.KIMLEY-HORN.COM

PROFESSIONAL ENGINEER

RYAN R. PERKINS
Lic. No. 046585
11/09/2018

THREE CHOPT RIGHT
TURN LANE PLAN

WAWA AT PARHAM
AND THREE CHOPT
PREPARED FOR
REBEEK CO.

HENRICO COUNTY
VIRGINIA

SHEET NUMBER
CR-101

POD# 2018-00101 & 00196