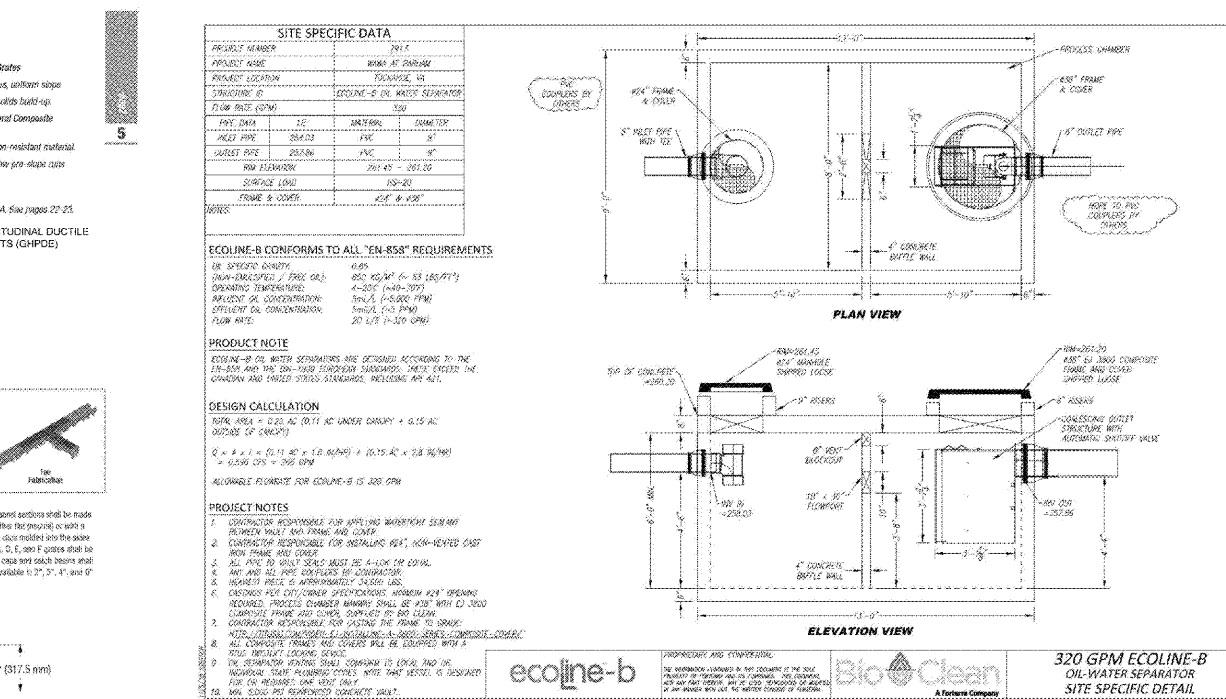
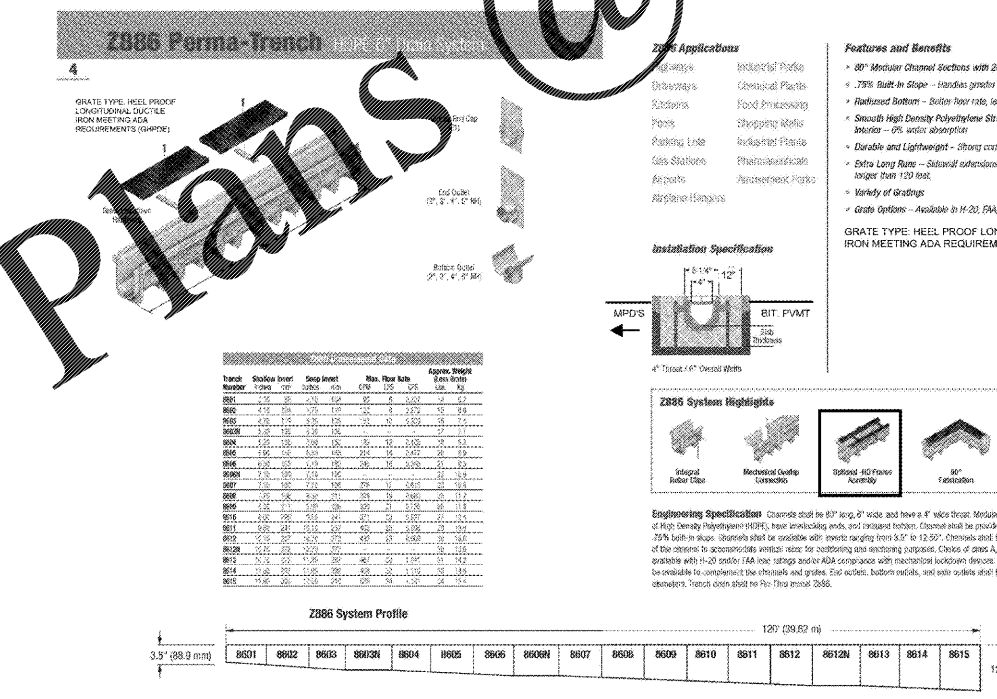
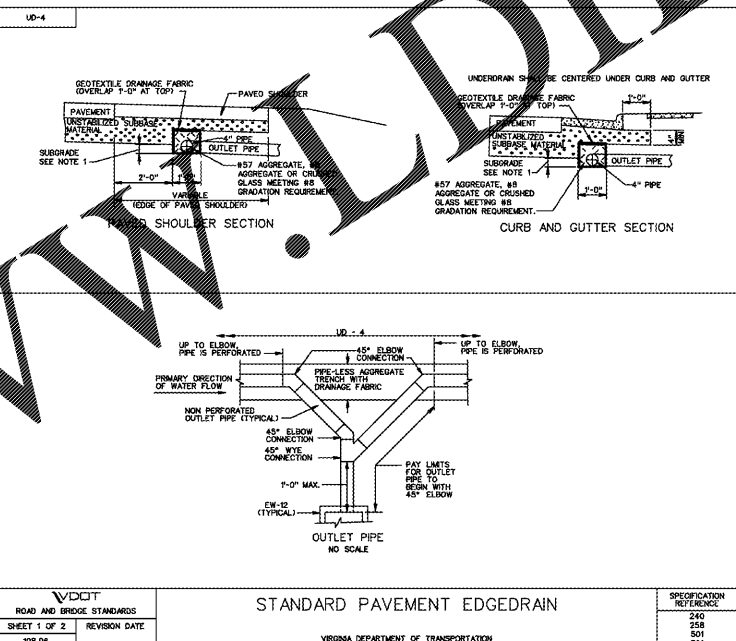
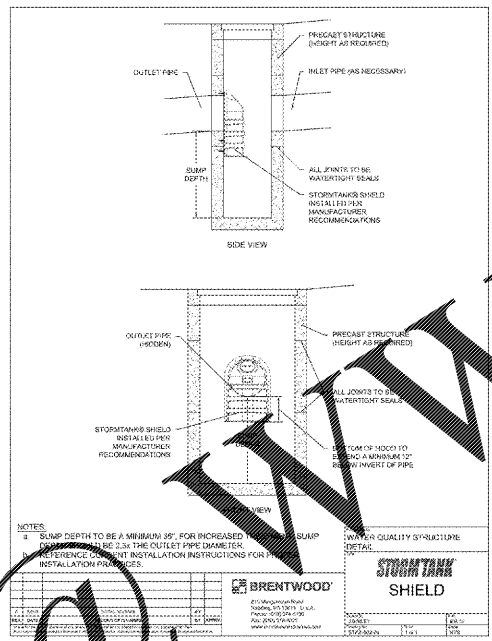
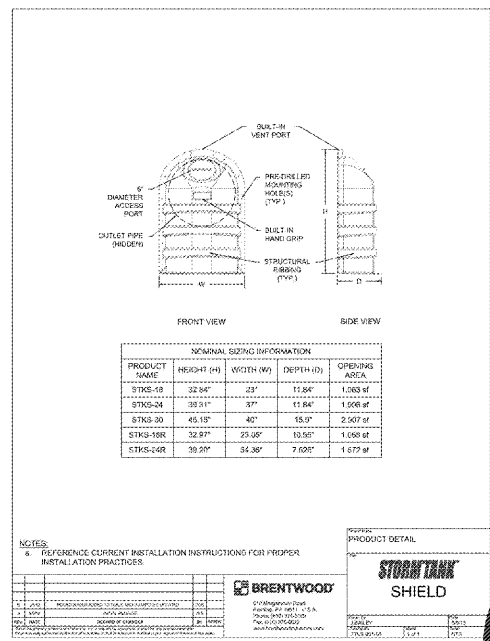


NOTE: ALL DI-2 AND DI-3 INLETS ARE TO HAVE TRASH RACK WITH MAXIMUM 2" SPACED EPOXY COATED REBAR PER HENRICO COUNTY CONSTRUCTION STANDARDS.



STORMTANK Module Maintenance Guidelines

General:
 The StormTank™ Stormwater Storage Module is a component in a stormwater collection system providing storage for the detention or infiltration of runoff. No two systems are the same, with varying shapes, sizes and configurations. Some include pre-treatment to remove sediments and/or contaminants prior to entering the storage area and some do not. Systems without pre-treatment require greater attention to system functionality and may require additional maintenance.

In order to sustain system functionality Brentwood offers the following general maintenance guidelines:

Prevention:

- Prior to & during Construction - Sitation prevention of the stormwater system.
 - Conform to all local, state and federal regulations for sediment and erosion control during construction.
 - Install site erosion and sediment BMP's (Best Management Practices) required to prevent siltation of the stormwater system.
 - Inspect and maintain erosion and sediment BMP's during construction.
- Post Construction - Prior to commissioning the StormTank™ system.
 - Remove and properly dispose of construction erosion and sediment BMP's per all local, state and federal regulations. Care should be taken during removal of the BMP's as not to allow collected sediment or debris into the stormwater system.
 - Flush the StormTank™ system to remove any sediment or construction debris immediately after the BMP's removal. Follow the maintenance procedure outlined.

Inspection:
 Follow all local, state, and federal regulations regarding stormwater BMP inspection requirements.

Brentwood Industries makes the following recommendations:

1. Frequency

- During the first service year a visual inspection should be completed during and after each major rainfall event, in addition to semi-annual, to establish a pattern of sediment and debris buildup.
 - Each stormwater system is unique and multiple criteria can affect maintenance frequency such as:
 - System Design: pre-treatment/no-pre-treatment, inlet protection, stand alone device.
 - Surface Area Collecting from (hardscapes, gravel, soil).
 - Adjacent Area: soil runoff, gravel, trails.
 - Seasonal Changes: fall-leaves, winter-wind-blown.
- Second year plus: establish an annual inspection frequency based on the information collected during the first year. At a minimum an inspection should be performed semi-annually.
- Seasonal change: regional areas affected by seasonal change (spring, summer, fall, winter) may require additional inspections at the change of seasons in addition to semi-annually.

2. Inspect:

- Inspection points.
- Inflow and outflow points including the inlet/manhole and pipes.
- Discharge area.

3. Identify and Report maintenance required:

- sediment and debris accumulation.
- System backing up.
- Flow rate change.

Maintenance Procedures:

- Conform to all local, state and federal regulations.
- Determine if maintenance is required per permit device, standard, follow manufacturer recommendations.
- Using a vacuum or other device remove debris from the inlet and outflow points.
 Flush the system with clean water using debris from the system. Take care to avoid extreme direct water pressure when using the system.
 Repeat steps 3 and 4 until debris is removed.

Maintenance guidelines were written by Brentwood Industries, Inc. with the express purpose of providing helpful hints. These guidelines are not to be construed as the only Brentwood approved method for system maintenance or the final authority in system maintenance. Check with the stormwater system owner/project engineer for their contract/specification requirements and/or recommendations. Contact your local StormTank™ distributor or Brentwood Industries for additional technical support if required.

WAWA AT PARHAM AND THREE CHOPT
 PREPARED FOR
REBEC CO.
 HENRICO COUNTY VIRGINIA

Kimley»Horn
 © 2018 KIMLEY-HORN AND ASSOCIATES, INC.
 1700 WILLOW LAWN DR, SUITE 200, RICHMOND, VA 23230
 PHONE: 804-673-3822
 WWW.KIMLEY-HORN.COM

COMMONWEALTH OF VIRGINIA
 RYAN R. PERKINS
 Lic. No. 046685
 1/09/2018
 PROFESSIONAL ENGINEER

DRAINAGE DETAILS

Order Plans

ecoline-b **Bio-Clean**

320 GPM ECOLINE-B OIL-WATER SEPARATOR SITE SPECIFIC DETAIL

SHEET NUMBER
CG-501

11/07/18 RPP
 07/02/19 RPP
 01/03/19 RPP
 01/14/19 RPP
 01/17/19 RPP

1. OIL WATER SEPARATOR REVISIONS
 2. UNDERGROUND PIPE CONNECTIONS REVISIONS
 3. PHASE II EAS REVISIONS
 4. BID SET REVISIONS

NO. DATE BY

POD# 2018-00101 & 00196