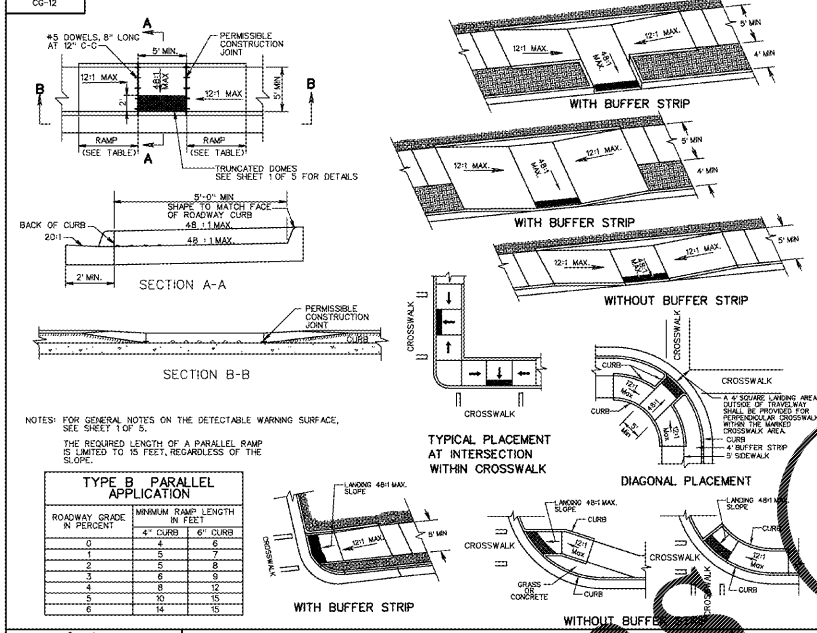
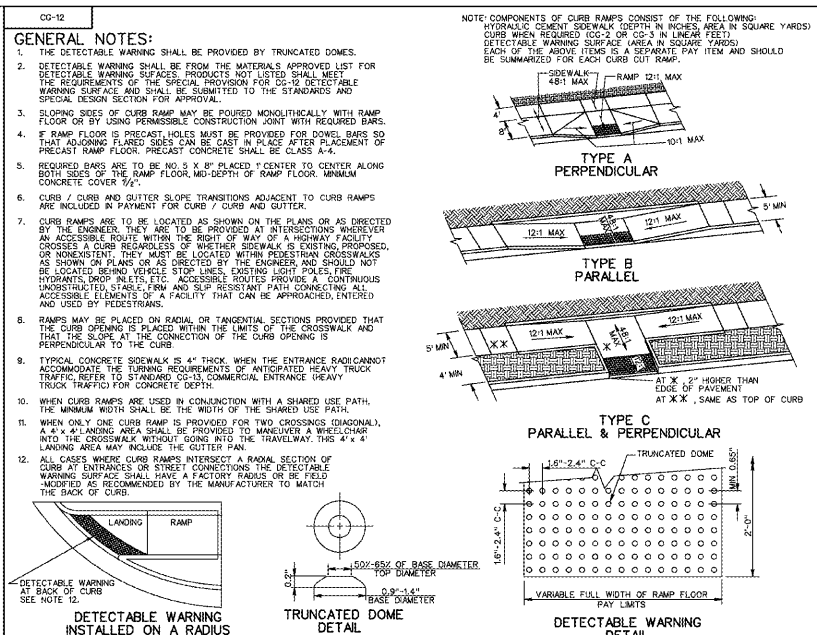


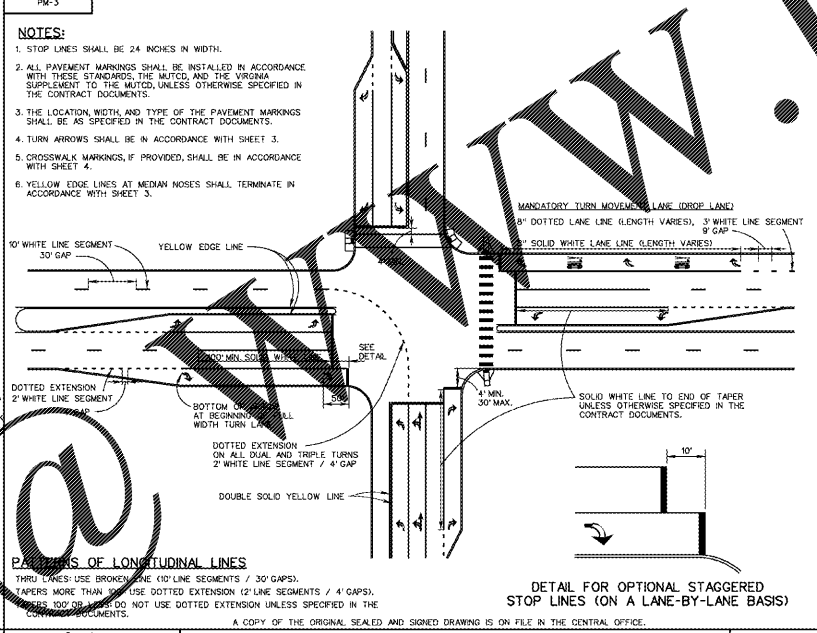
ROAD AND BRIDGE STANDARDS	REVISION DATE	SPECIFICATION REFERENCE
203.03	07/15	502



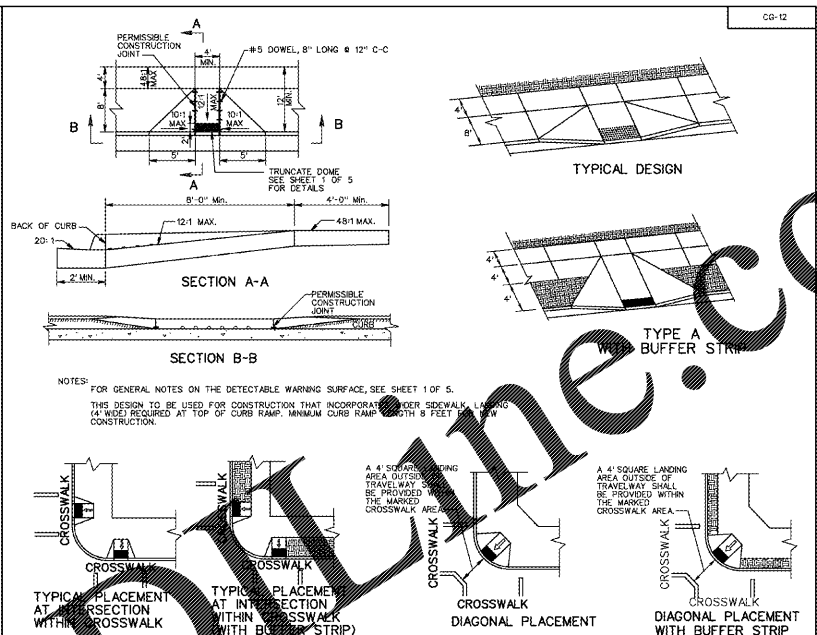
ROAD AND BRIDGE STANDARDS	REVISION DATE	SPECIFICATION REFERENCE
203.07	07/16	105 502



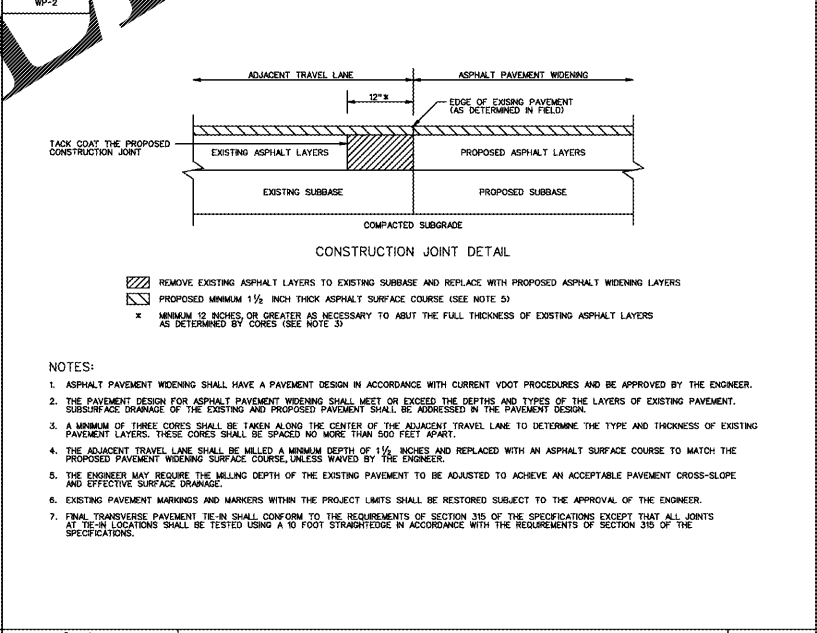
ROAD AND BRIDGE STANDARDS	REVISION DATE	SPECIFICATION REFERENCE
PK-3	07/15	704



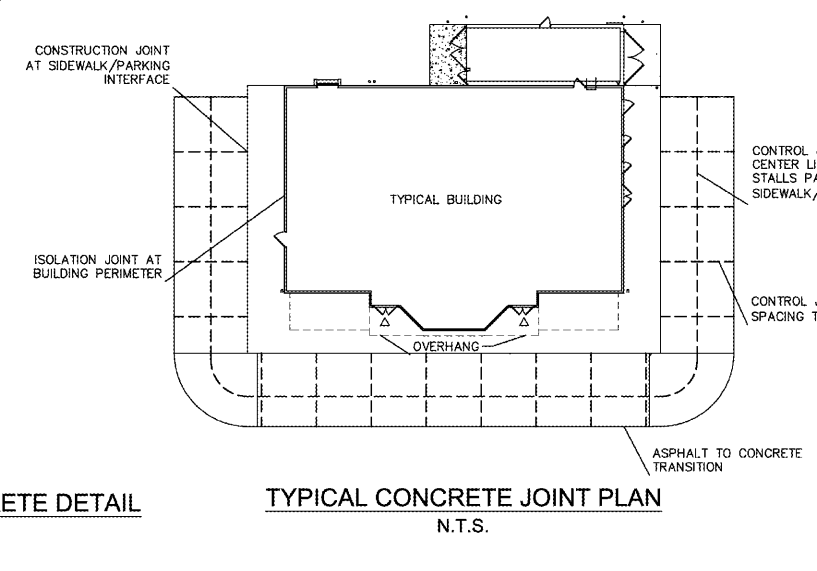
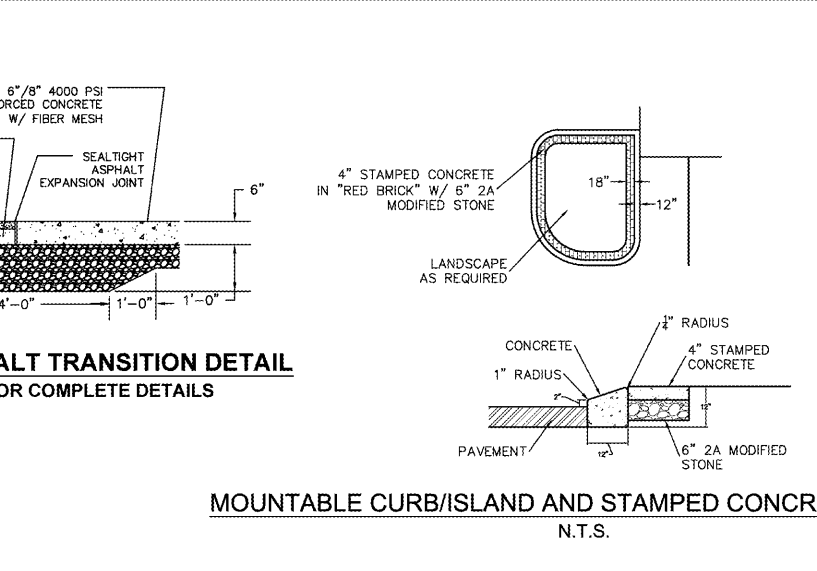
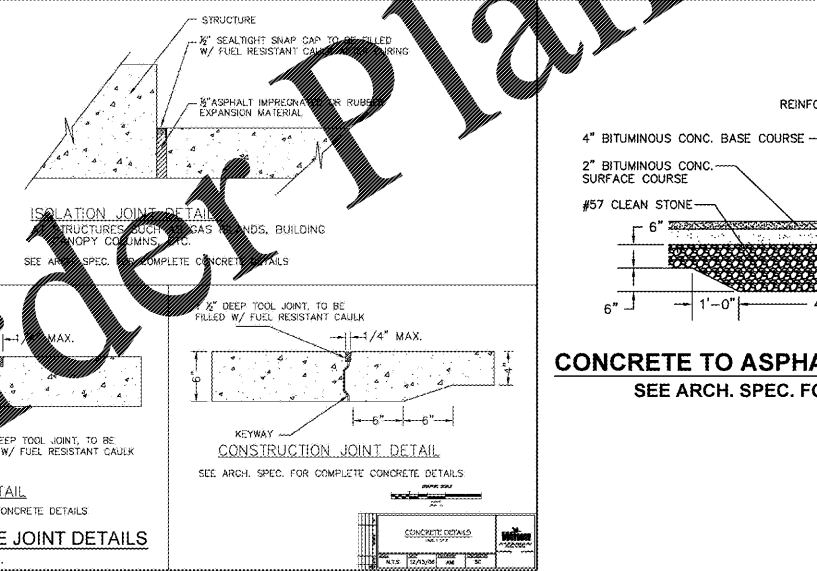
ROAD AND BRIDGE STANDARDS	REVISION DATE	SPECIFICATION REFERENCE
3330.31	07/16	704



ROAD AND BRIDGE STANDARDS	REVISION DATE	SPECIFICATION REFERENCE
WP-2	07/15	203.06

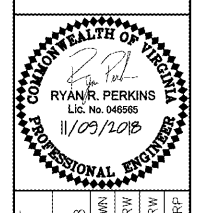


ROAD AND BRIDGE STANDARDS	REVISION DATE	SPECIFICATION REFERENCE
303.02		315



NO.	REVISIONS	DATE	BY
1	OIL WATER SEPARATOR REVISIONS	11/07/18	RRP
2	OIL WATER SEPARATOR REVISIONS	07/02/19	RRP
3	UNDERGROUND PIPE CONNECTION REVISIONS	01/03/19	RRP
4	PHASE II EAS REVISIONS	01/14/19	RRP
5	BID SET REVISIONS	01/17/19	RRP

Kimley»Horn
 © 2018 KIMLEY-HORN AND ASSOCIATES, INC.
 1700 WILLOW LAWN DR., SUITE 200, RICHMOND, VA 23220
 PHONE: 804-673-3882
 WWW.KIMLEY-HORN.COM



KHA PROJECT	DATE	DESIGNED BY	DRAWN BY	CHECKED BY
11.3160005	11/09/2018	AS SHOWN	KRW	RRP

SITE DETAILS

WAWA AT PARHAM AND THREE CHOPT
 PREPARED FOR
REBEEK CO.
 HENRICO COUNTY, VIRGINIA

SHEET NUMBER
CS-503

POD# 2018-00101 & 00196