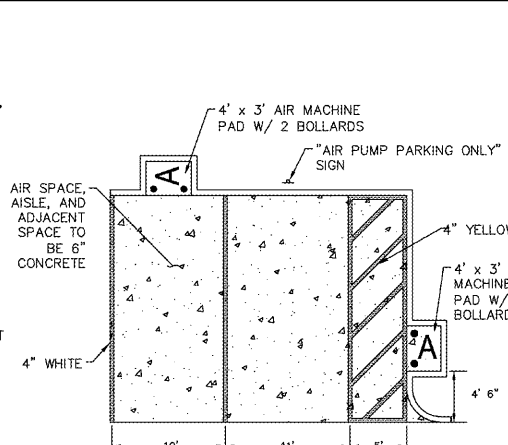
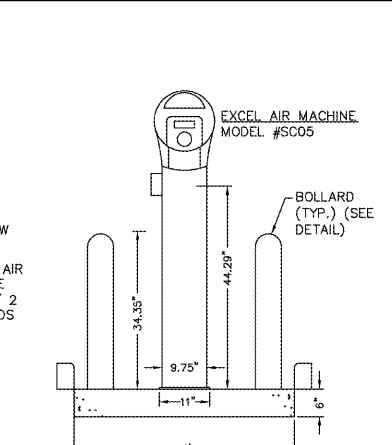


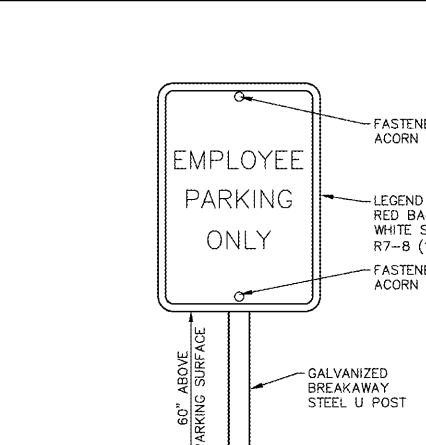
AIR PUMP SIDE ELEVATION
N.T.S.



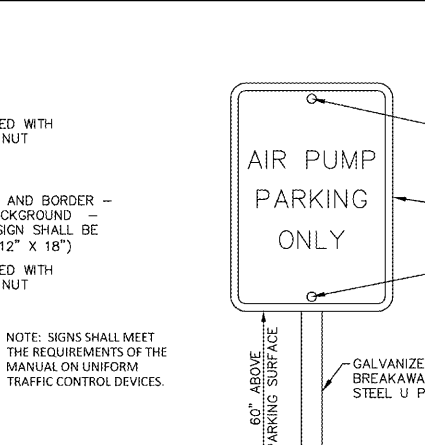
AIR PUMP PARKING DETAIL
N.T.S.



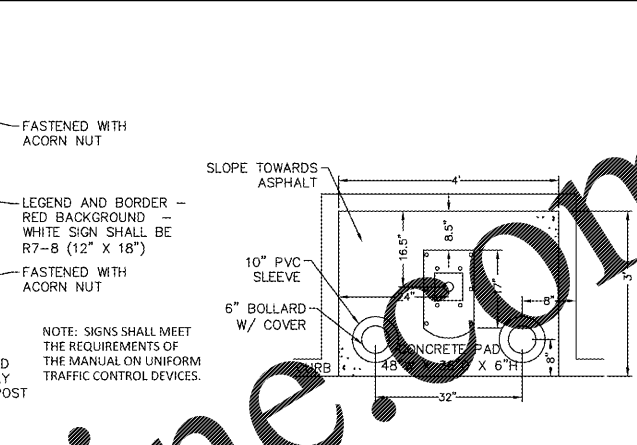
AIR PUMP FRONT ELEVATION
N.T.S.



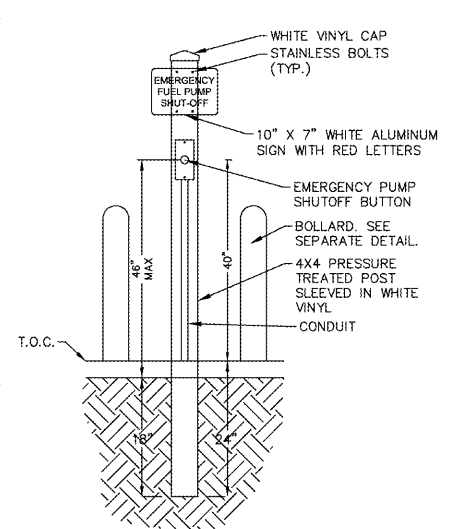
EMPLOYEE PARKING SIGN DETAIL
N.T.S.



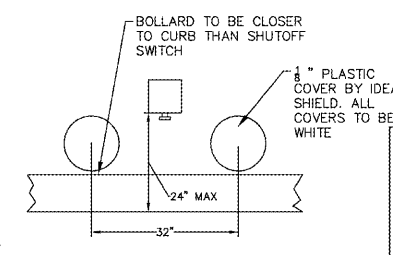
AIR PUMP PARKING SIGN DETAIL
N.T.S.



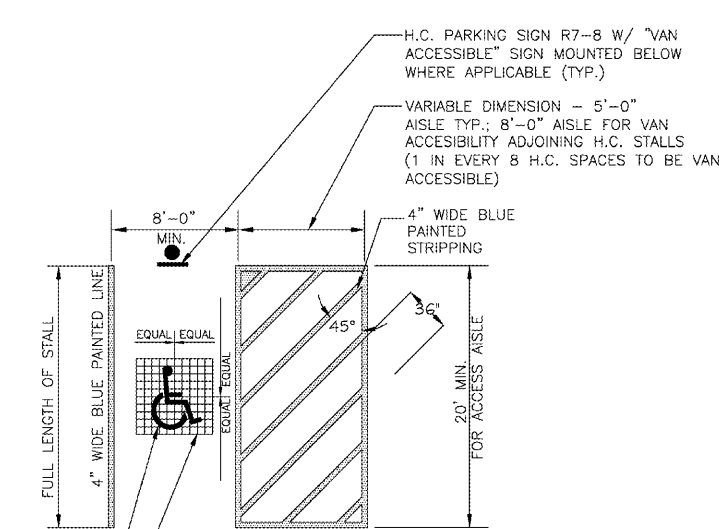
AIR PUMP PLAN VIEW DETAIL
N.T.S.



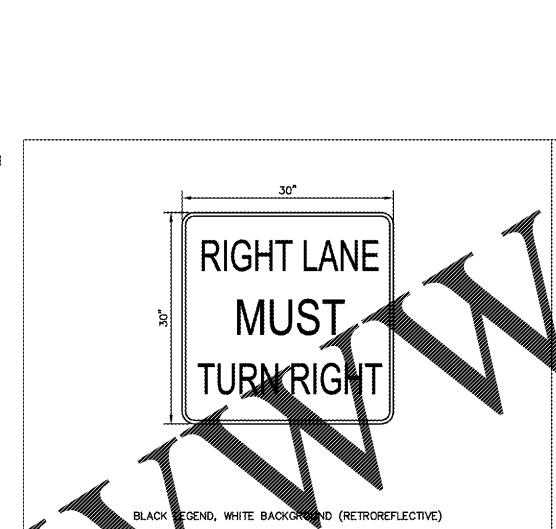
FRONT ELEVATION



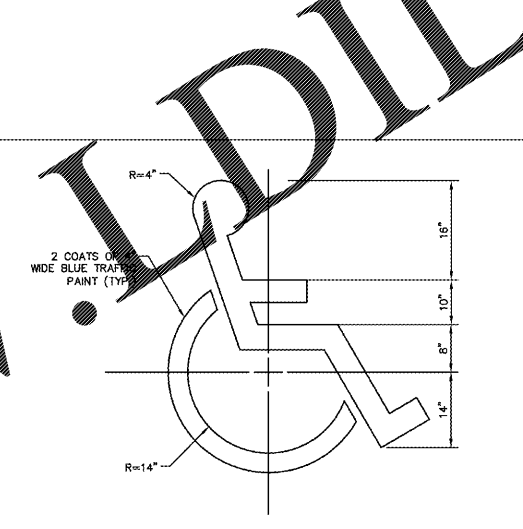
EMERGENCY PUMP SHUTOFF ("E-STOP) DETAIL
N.T.S.



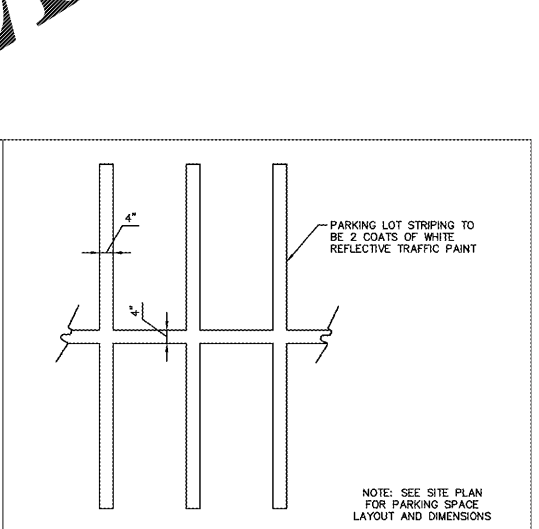
ADA PARKING SPACE STRIPING DETAIL
N.T.S.



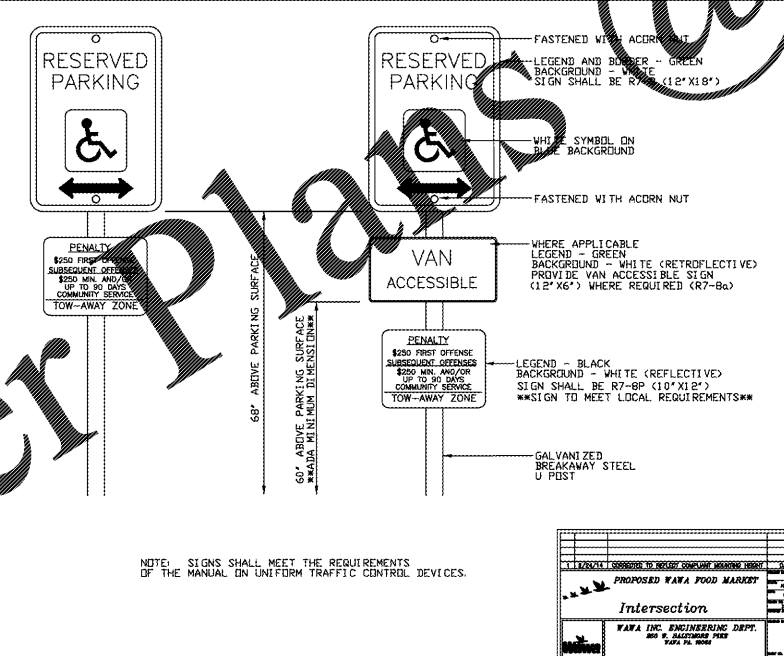
RIGHT LANE MUST TURN RIGHT (R3-7R)



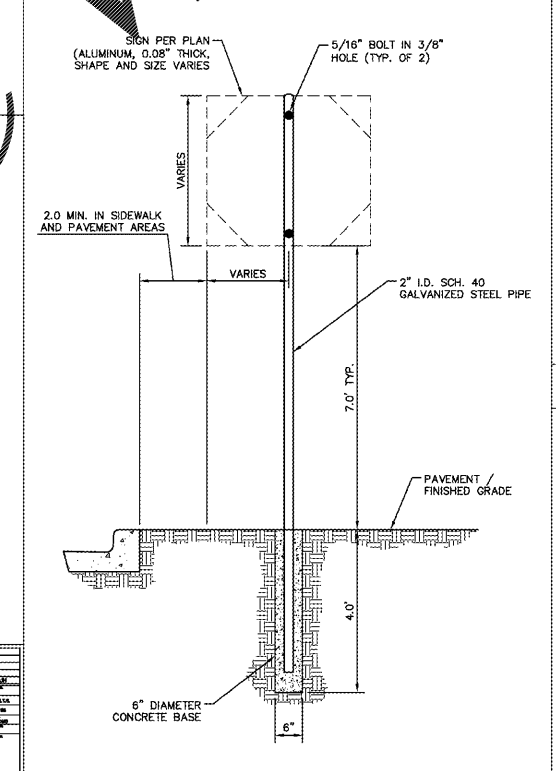
ADA PARKING SYMBOL



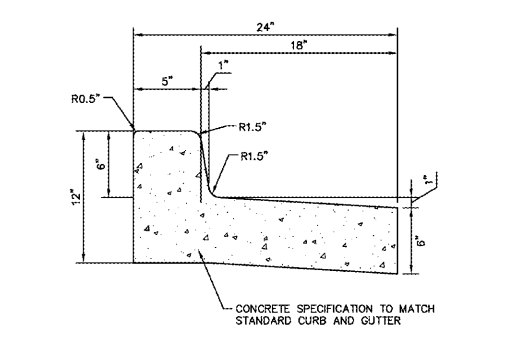
PARKING LOT STRIPING



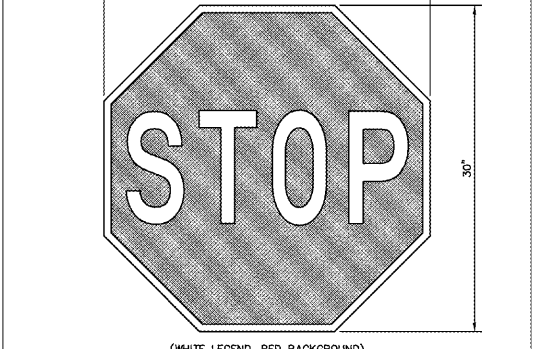
ADA PARKING SIGN DETAIL
N.T.S.



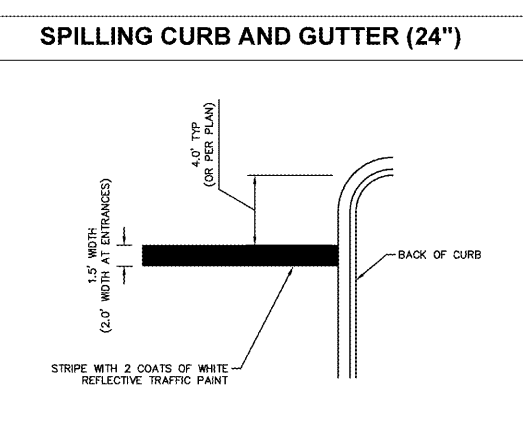
SIGN POST



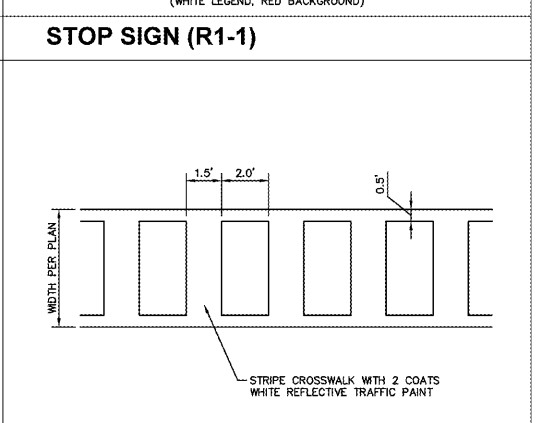
SPILLING CURB AND GUTTER (24")



STOP SIGN (R1-1)



STOP BAR STRIPING



CROSSWALK STRIPING

Order Plans @

Intersection
WAWA INC. ENGINEERING DEPT.
200 W. SAUNDERS PIKE
WAWA, VA 22686
(540) 962-2000

No.	REVISIONS	DATE	BY
1	OIL WATER SEPARATOR SIGNS	11/07/18	RRP
2	OIL WATER SEPARATOR REVISIONS	07/02/19	RRP
3	UNDERGROUND PIPE CONNECTIONS	07/03/19	RRP
4	PHASE II EAS REVISIONS	01/14/19	RRP
5	BID SET REVISIONS	07/17/19	RRP

Kimley»Horn
© 2018 KIMLEY-HORN AND ASSOCIATES, INC.
1700 WILLOW LAWN DR., SUITE 200, RICHMOND, VA 23230
PHONE: 804-673-3882
WWW.KIMLEY-HORN.COM

COMMONWEALTH OF VIRGINIA
RYAN R. PERKINS
Lic. No. 046585
11/09/2018
PROFESSIONAL ENGINEER

KHA PROJECT	DATE	SCALE	DESIGNED BY	DRAWN BY	CHECKED BY
113160005	11/09/2018	AS SHOWN	KRW	KRW	RRP

SITE DETAILS

WAWA AT PARHAM AND THREE CHOPT
PREPARED FOR
REBEEK CO.
HENRICO COUNTY VIRGINIA

SHEET NUMBER
CS-502

POD# 2018-00101 & 00196