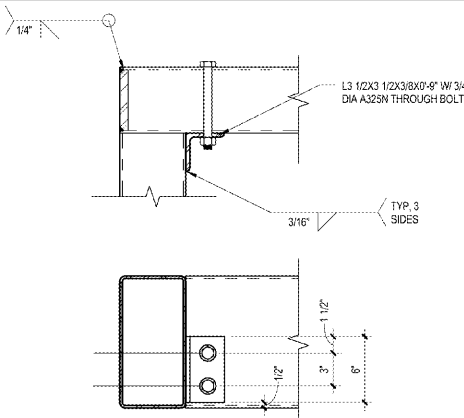
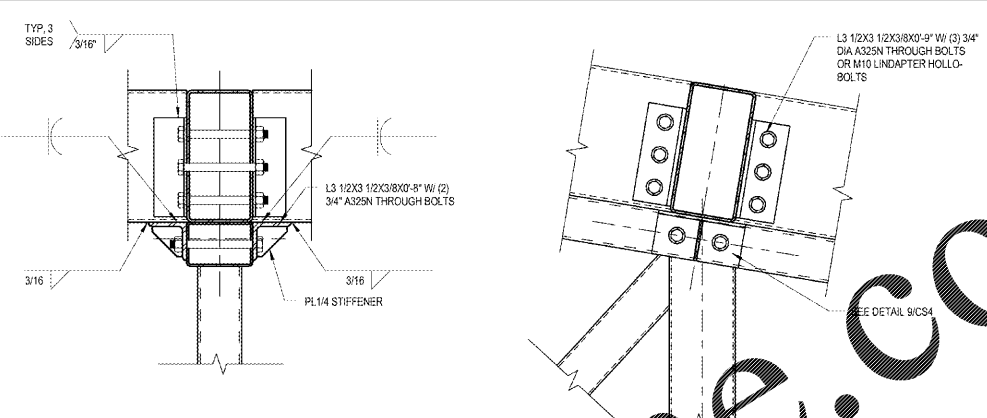


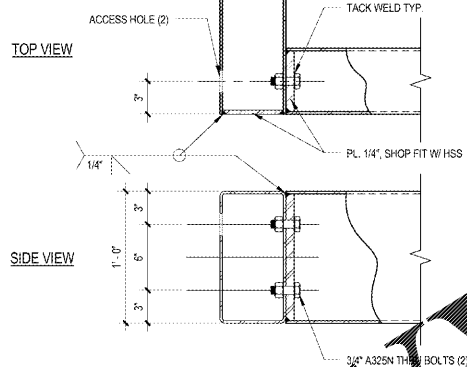
Order Plans @



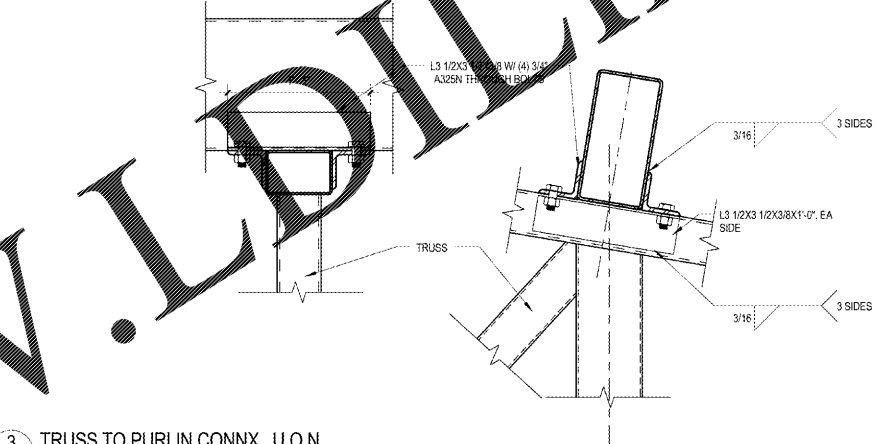
8 LOW ALT. HSS TO HSS CORNER CONNX.
 CS5 1'10" x 1'4"



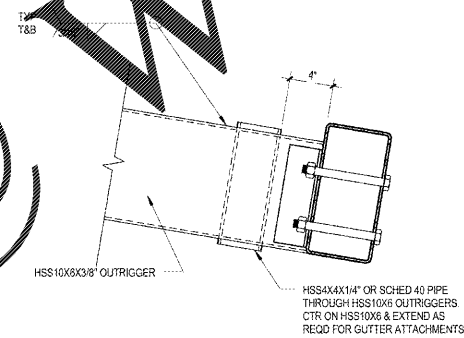
4 HIGH OUTRIGGER TO TRUSS CONNX.
 CS5 1'10" x 1'4"



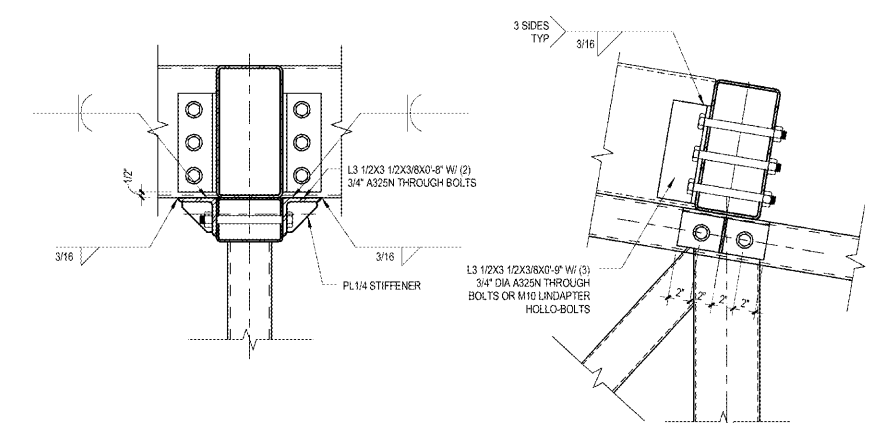
7 LOW HSS TO HSS CORNER CONNX.
 CS5 1'10" x 1'4"



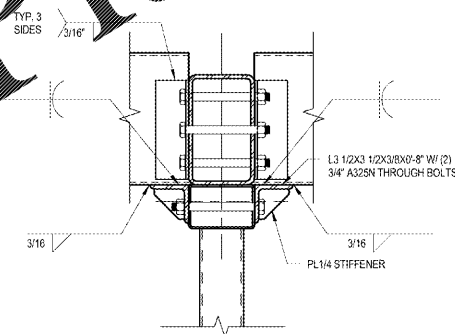
3 TRUSS TO PURLIN CONNX., U.O.N.
 CS5 1'10" x 1'4"



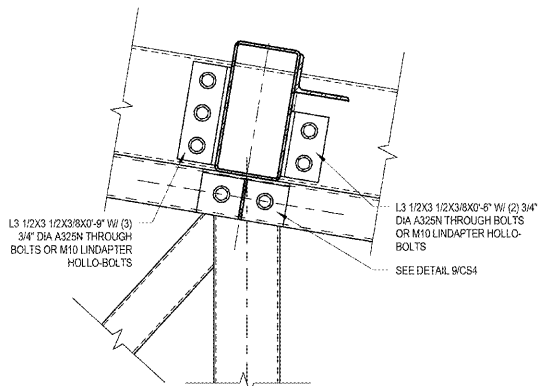
6 LOW REAR OUTRIGGER TO TRUSS CONNX.
 CS5 1'10" x 1'4"



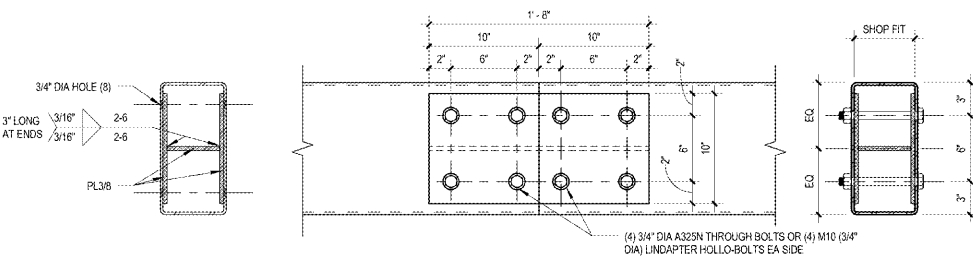
2 OUTRIGGER TO TRUSS CONNX.
 CS5 1'10" x 1'4"



5 LOW REAR OUTRIGGER TO TRUSS CONNX.
 CS5 1'10" x 1'4"



1 HSS FIELD SPLICE
 CS5 1'10" x 1'4"



1925 Prospect Ave.
 Oklawaha, FL 32814
 (407) 668-1100
 (407) 668-9101
www.c-p.com

Chiaci & Peterson
 Architects Engineers Planners

WAWA
 280 W. BALTIMORE PIKE
 WAWA, FL 19063

PROJECT NAME
 STRAIGHT 6 GAS CAN. 2017.01-1MA
STORE #8661- STO
 NEWTOWN RD & STONEY POINT ST
 NORFOLK, VA

CLIENT NAME
 WAWA

No.	Description	Date
1	PERMIT SET	05/11/2018
2	PRE-BID REVIEW SET	01/09/2019
3	BID SET	01/29/2019

PROJECT NO.
 270577
DATE
 05-11-2018
DRAWN BY
 RC
CHECKED BY
 JJ

CS5

DETAILS