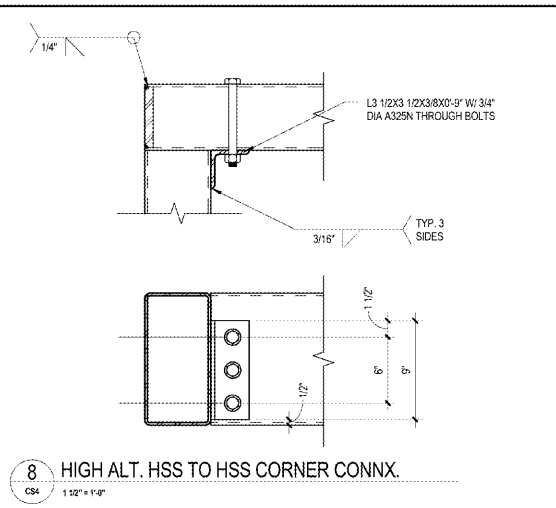
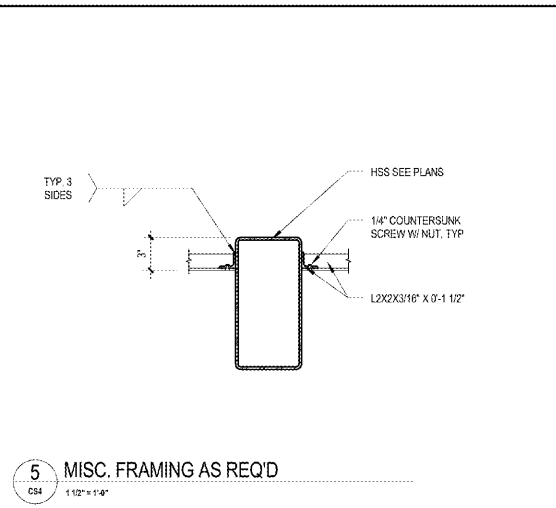


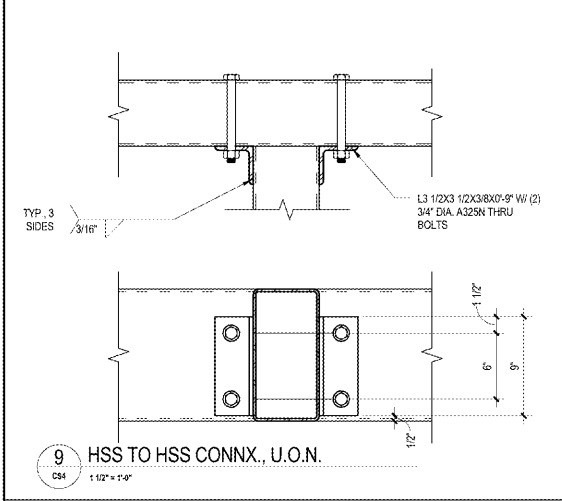
10 LOW HSS TO HSS CONNX.
CS4 1'-0" x 1'-0"



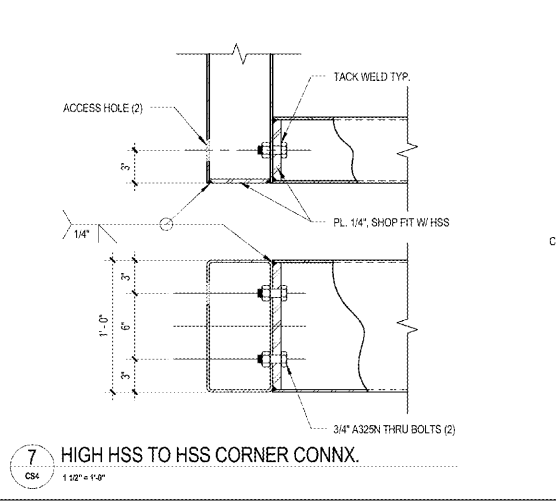
8 HIGH ALT. HSS TO HSS CORNER CONNX.
CS4 1'-0" x 1'-0"



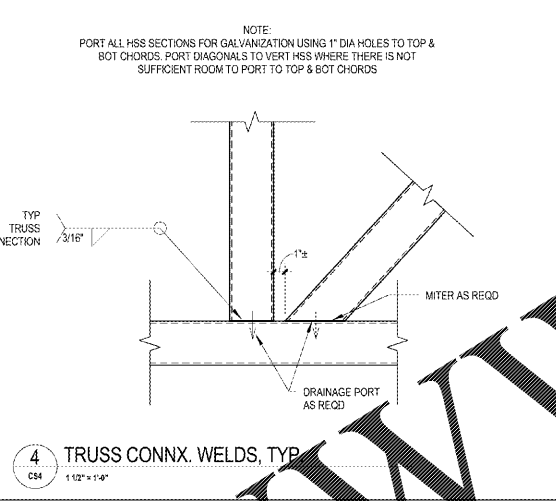
5 MISC. FRAMING AS REQ'D
CS4 1'-0" x 1'-0"



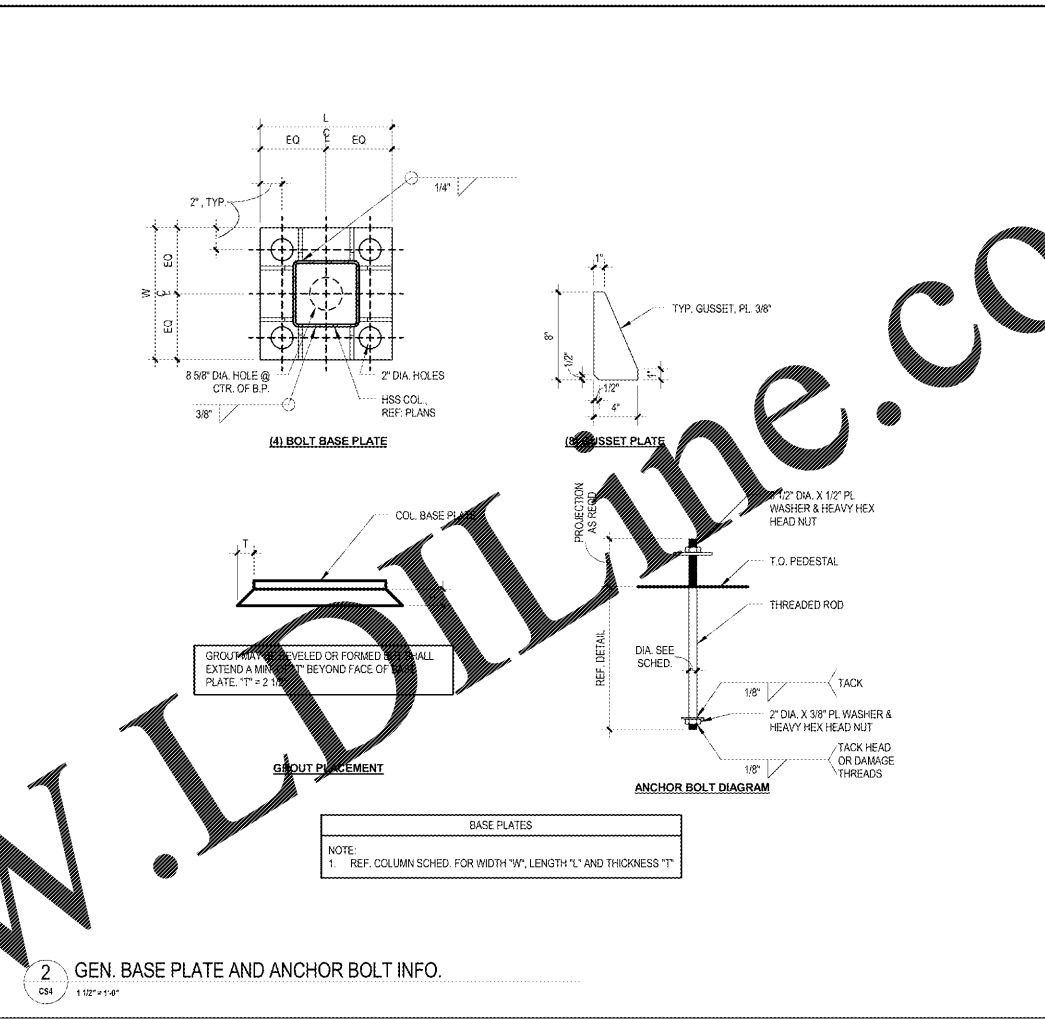
9 HSS TO HSS CONNX., U.O.N.
CS4 1'-0" x 1'-0"



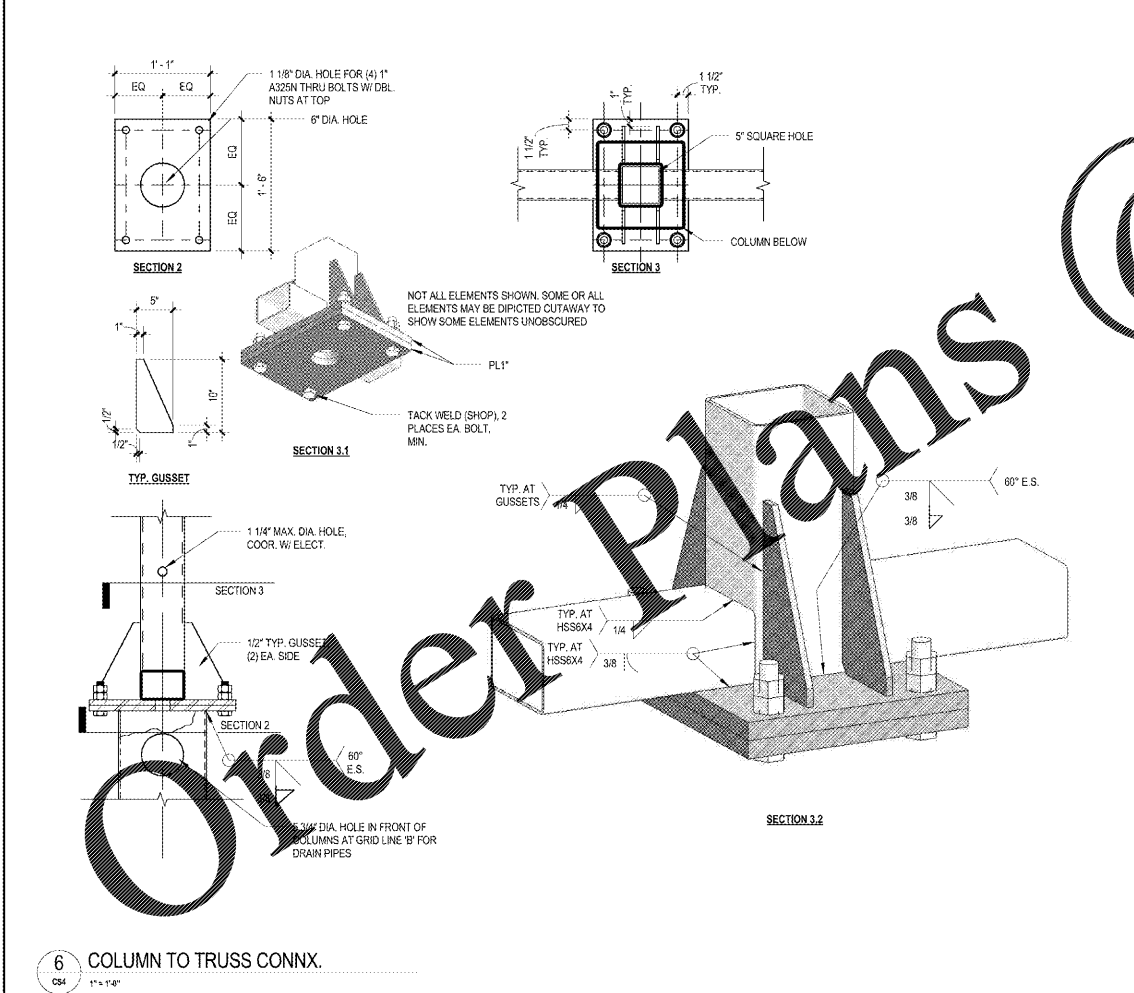
7 HIGH HSS TO HSS CORNER CONNX.
CS4 1'-0" x 1'-0"



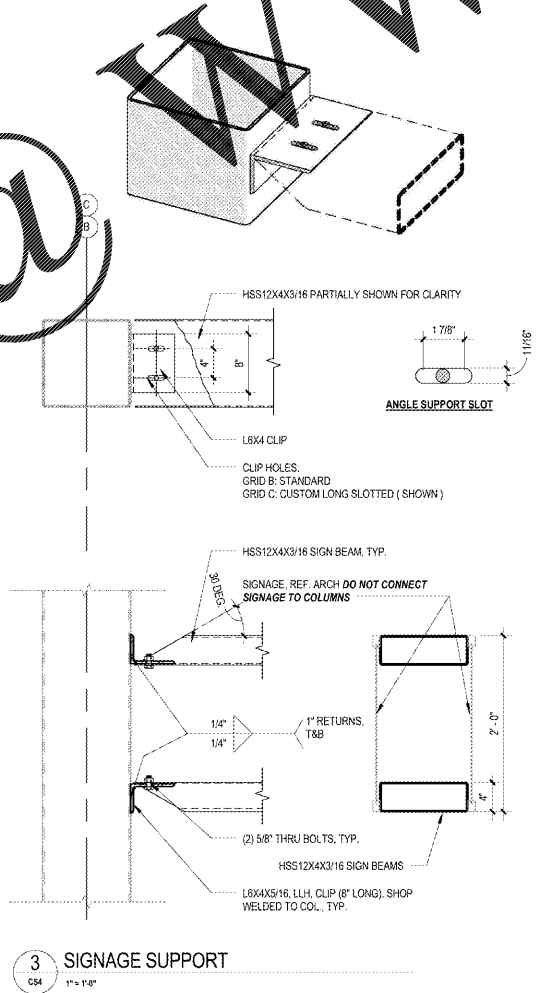
4 TRUSS CONNX. WELDS, TYP.
CS4 1'-0" x 1'-0"



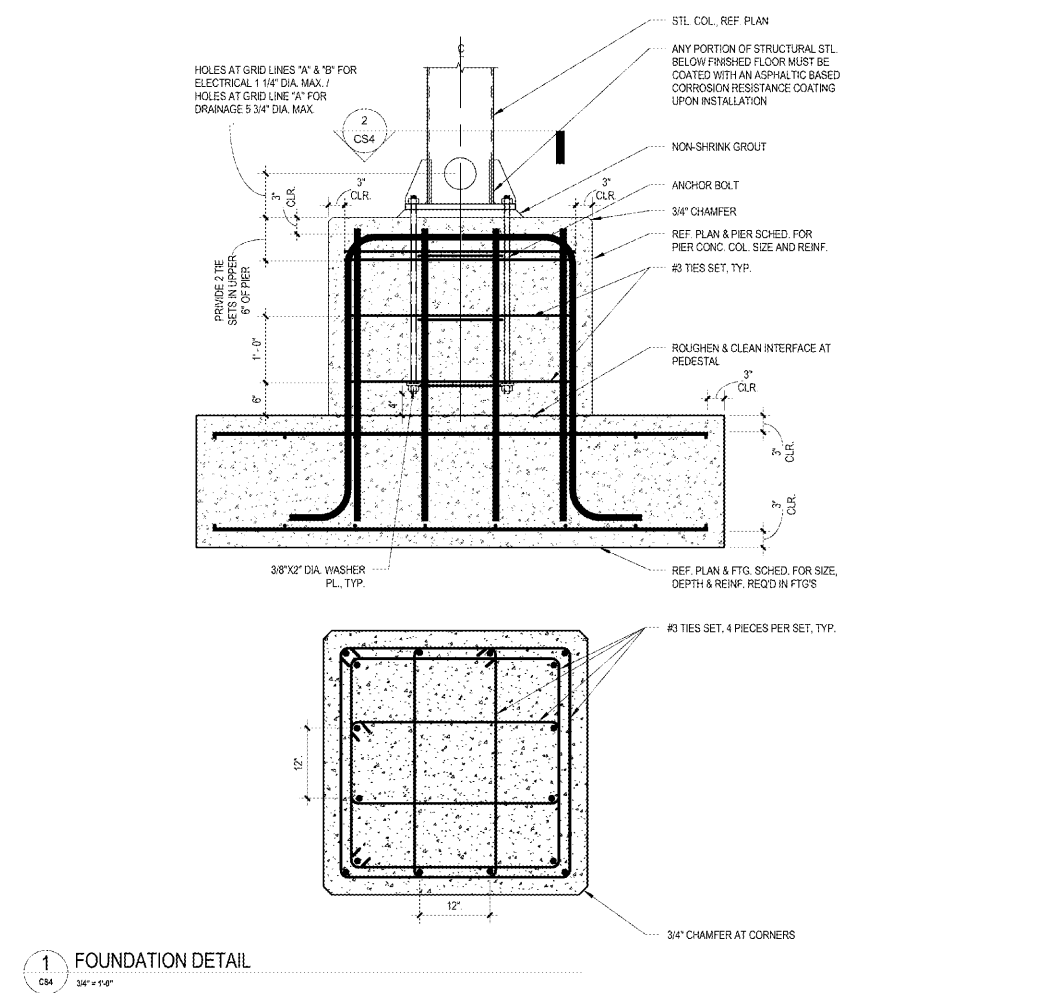
2 GEN. BASE PLATE AND ANCHOR BOLT INFO.
CS4 1'-0" x 1'-0"



6 COLUMN TO TRUSS CONNX.
CS4 1'-0" x 1'-0"

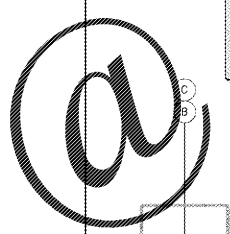
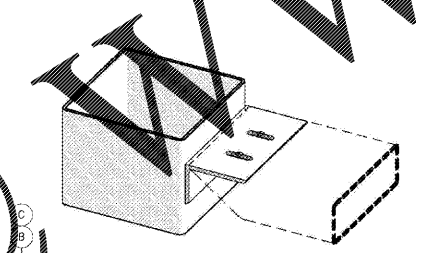


3 SIGNAGE SUPPORT
CS4 1'-0" x 1'-0"



1 FOUNDATION DETAIL
CS4 3'-0" x 1'-0"

Order Plans



www.lldonline.com

1925 Prospect Ave.
Owensboro, KY 40301
(407) 668-1100
(407) 668-9101
www.lld-p.com

4

Chulaci & Peterson

Architects Engineers Planners

WAWA
260 W. BALTIMORE PIKE
WAWA, VA 19063

PROJECT NAME
STRAIGHT 6 GAS CAN, 2017.01-MA
STORE #8661- STO
NEWTOWN RD & STONEY POINT ST
NORFOLK, VA

No.	Description	Date
1	PERMIT SET	05/17/2018
2	PRE-BID REVIEW SET	01/09/2019
3	BID SET	01/29/2019

PROJECT NO.
270577

DATE
05-11-2018

DRAWN
RC

CHECKED
JJ

CS4