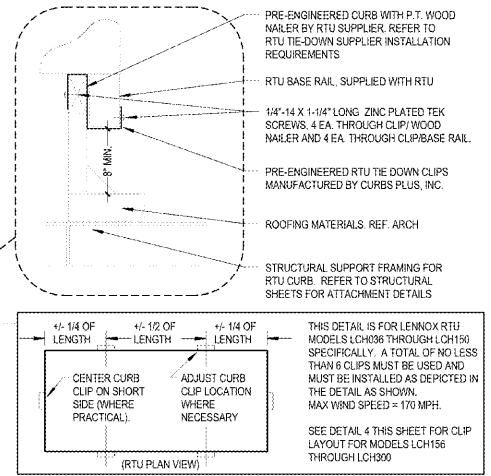
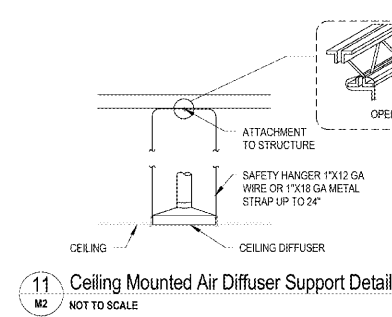


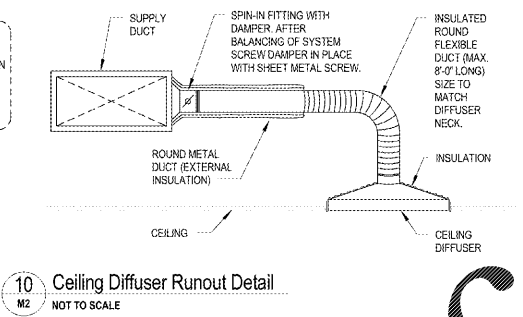
13 RTU Tie Down Detail
M2 NOT TO SCALE



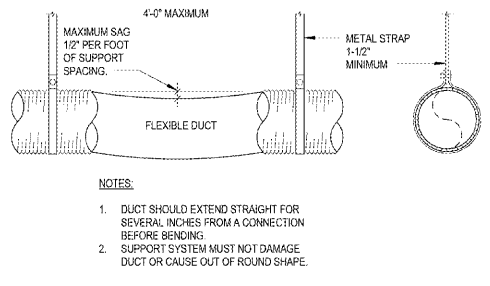
12 Splitter Detail
M2 NOT TO SCALE



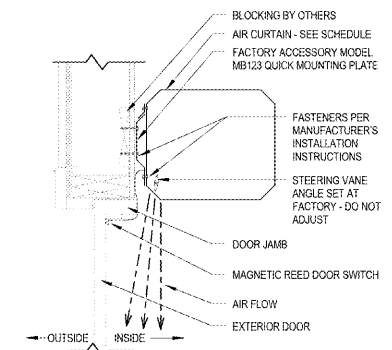
11 Ceiling Mounted Air Diffuser Support Detail
M2 NOT TO SCALE



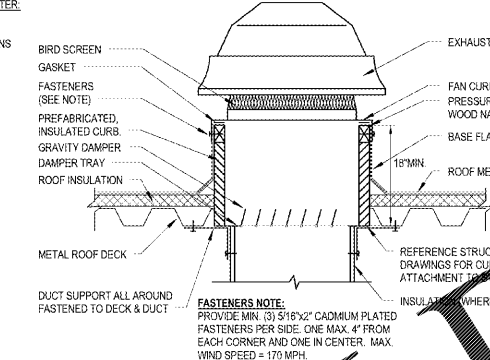
10 Ceiling Diffuser Runout Detail
M2 NOT TO SCALE



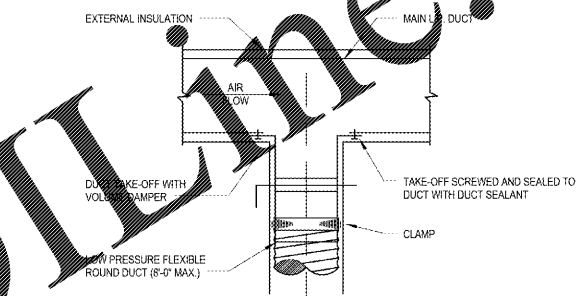
9 Flex Duct Support Detail
M2 NOT TO SCALE



8 Air Curtain Installation Detail
M2 NOT TO SCALE



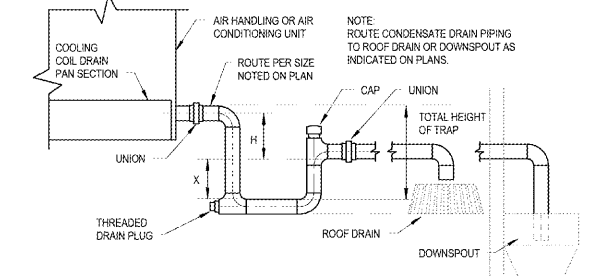
7 Roof Fan Mounting Detail
M2 NOT TO SCALE



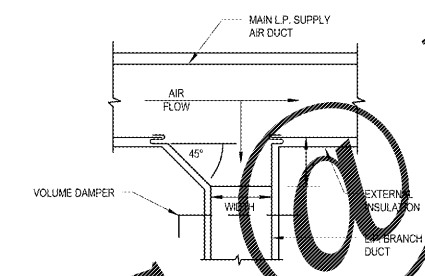
6 Supply Diffuser Take-Off Detail
M2 NOT TO SCALE

ROOF PLAN KEY NOTES

- FACTORY INSTALL SMOKE DETECTOR IN MAIN SUPPLY AND RETURN ROOF TOP UNIT.
- INSTALL ROOF MOUNTED EXHAUST FAN PER DETAIL ON SHEET M3. COORDINATE EXACT LOCATION OF FAN PENETRATION WITH ARCHITECTURAL ROOF PLAN. TRANSFER GALVANIZED DUCT WORK AS NECESSARY FROM FAN PENETRATION TO EXHAUST FAN DETAIL FOR CONTINUATION.
- PROVIDE FLEXIBLE CONNECTIONS BETWEEN ALL DUCT WORK AND MECHANICAL UNITS.
- ROUTE SCH. 40 PIPE CONDENSATE DRAIN PIPING ALONG ROOF. SUPPORT PIPING PER DETAIL ON SHEET M3.
- MAINTAIN A MINIMUM 10" CLEARANCE BETWEEN OUTSIDE AIR INTAKES AND EXHAUST TERMINATIONS ON ROOF.
- GOOD SERVICE REFRIGERATION EQUIPMENT PROVIDED BY OTHERS.
- GOOD SERVICE REFRIGERATION EQUIPMENT MOUNTED ON PRE-ENGINEERED RACK. SEE DETAIL ON SHEET A3.
- SPECIFIC WIND LOADING REQUIREMENTS NOT TO EXCEED 180 MPH. SEE STRUCTURAL DRAWINGS.



5 Condensate Drain Detail
M2 NOT TO SCALE

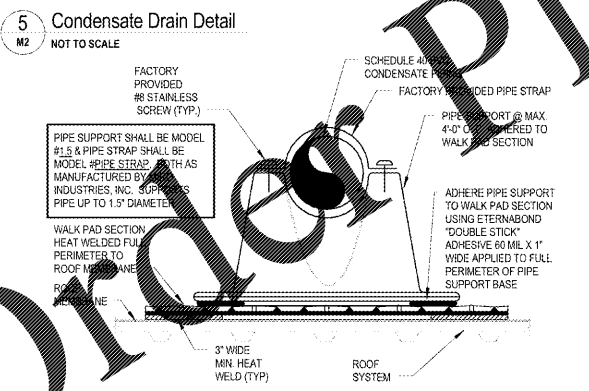


4 Low Pressure Supply Branch Duct Detail
M2 NOT TO SCALE

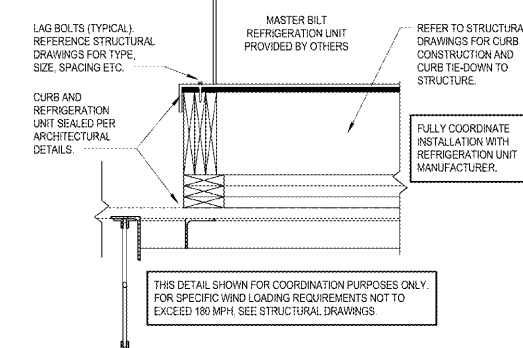
DRAIN TRAPPING HEIGHT		
FAN ARRANGEMENT	H	X
BLOW-THRU (POSITIVE STATIC PRESSURE)	A	B
DRAW-THRU (NEGATIVE STATIC PRESSURE)	D	C

TOTAL HEIGHT OF TRAP = X + H + (1.5 x PIPE DIAMETER) (WITHOUT INSULATION)

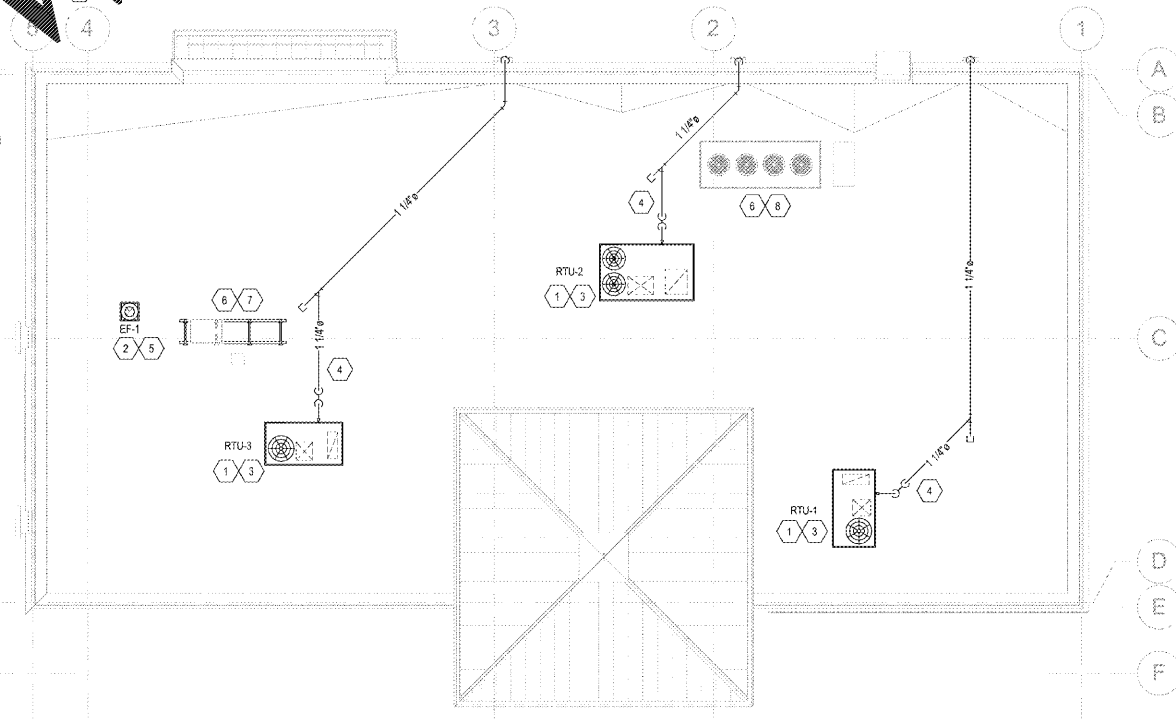
A = MINIMUM 1"
 B = AT LEAST 1" PLUS CASING STATIC PRESSURE
 C = 1/2 "D"
 D = AT LEAST 1" PLUS CASING STATIC PRESSURE



3 Condensate Pipe Roof Support Detail
M2 NOT TO SCALE



2 Master Bilt Mount Detail
M2 NOT TO SCALE



1 HVAC ROOF PLAN
M2 1/8" = 1'-0"

1925 Prospect Ave.
 Norfolk, VA 23214
 (407) 668-1100
 (407) 668-9101
 www.c-p.com

Chalaci & Peterson
 Architects Engineers Planners

WAWA
 260 W. BALTIMORE PIKE
 WAWA, VA 19063

WAWA L145-FB1-VA-M v2017.01
 STORE #8661-STO
 Newtown Rd. & Stony Point St.
 Norfolk, VA

No.	Description	Date
1	PERMIT SET	05/11/2018
2	PRE-BID REVIEW SET	01/09/2019
3	BID SET	01/29/2019

PROJECT NO. 270577
 DATE 05-11-18
 DRAWN PHK
 CHECKED JLO/JFK

M2