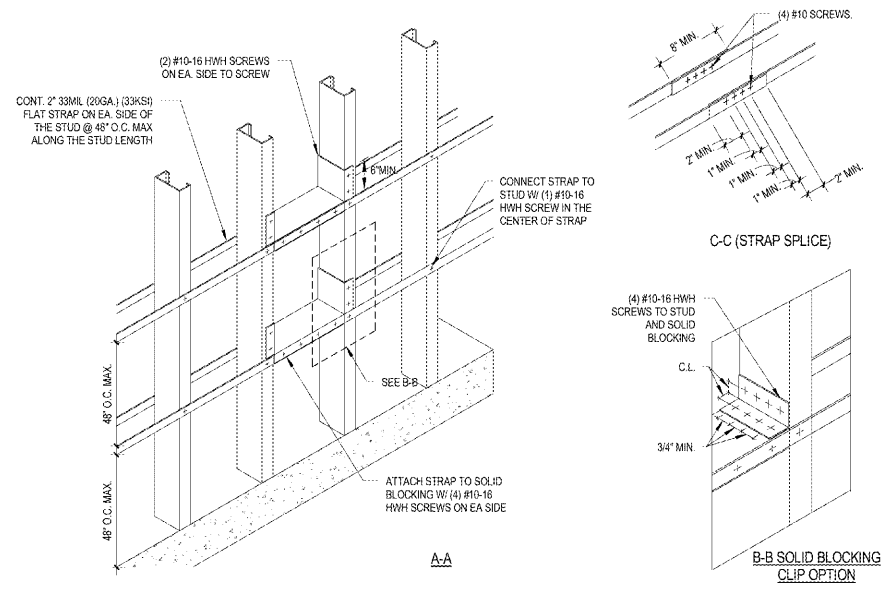
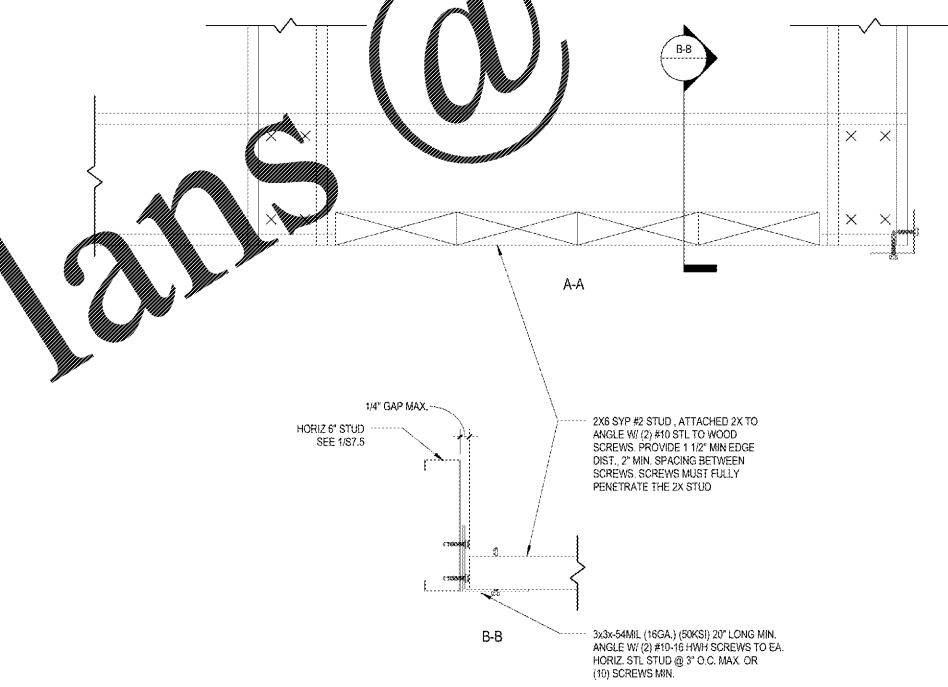


Order Plans @ WWW.WJDILINE.COM

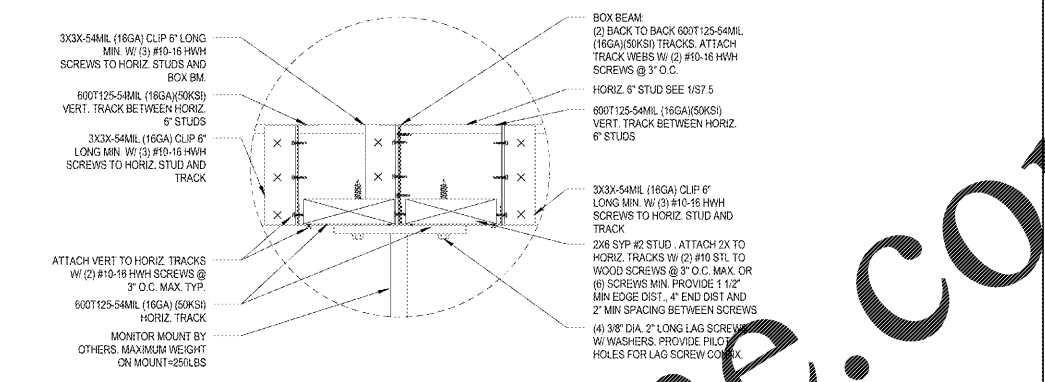


- FRAMING NOTES**
1. FASTEN SHEATHING TO COLD FORMED STEEL FRAMING, FLAT STRAP BRACING OR SOLID BLOCKING PER STRUCTURAL DWGS
 2. ALL PANEL EDGES SHOULD BE SUPPORTED BY FRAMING, FLAT STRAP BRACING OR SOLID BLOCKING.
 3. SCREWS SHALL PENETRATE ALL FRAMING COMPONENTS
 4. SCREWS SHALL HAVE A MIN. OF THREE EXPOSED THREADS EXTENDING THROUGH THE STEEL BEYOND ALL FRAMING COMPONENTS CONNECTED.
 5. PROVIDE 1/2" MIN. EDGE DIST. FOR #10 SELF DRILLING SCREWS OR NAILS INTO STRAP.
 6. PROVIDE 3/8" MIN. EDGE DIST. FOR #10 SELF DRILLING SCREWS OR NAILS INTO PLYWOOD.
 7. PROVIDE 1/2" MIN. EDGE DIST. & 3/4" MIN. SPAC. FOR #10 & #12 DRILLING SCREWS FOR TYP. FRAMING.
- SOLID BLOCKING INSTALLATION NOTES**
1. SOLID BLOCKING SHOULD BE PLACED @ 8'-0" O.C. MAX. AT EA. END OF WALLS AND ADJACENT TO OPENINGS.
 2. SOLID BLOCKING (TRACK OPTION ATTACHMENT) SHOULD BE THE SAME WIDTH OF THE WALL STUD AND 1/8" (3/16") (3/16") (3/16") TRACK SHOULD BE NOTCHED AND FLANGES BEHIND THE STUD.
 3. SOLID BLOCKING CLIP OPTION ATTACHMENT SHOULD BE 1/4" LESS THAN THE STUD WIDTH.

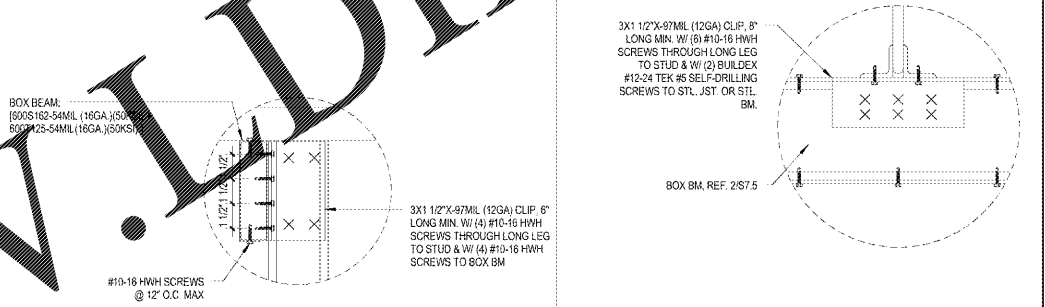
6 LATERAL BRACING DETAIL
S7.5 3/4" x 1/4"



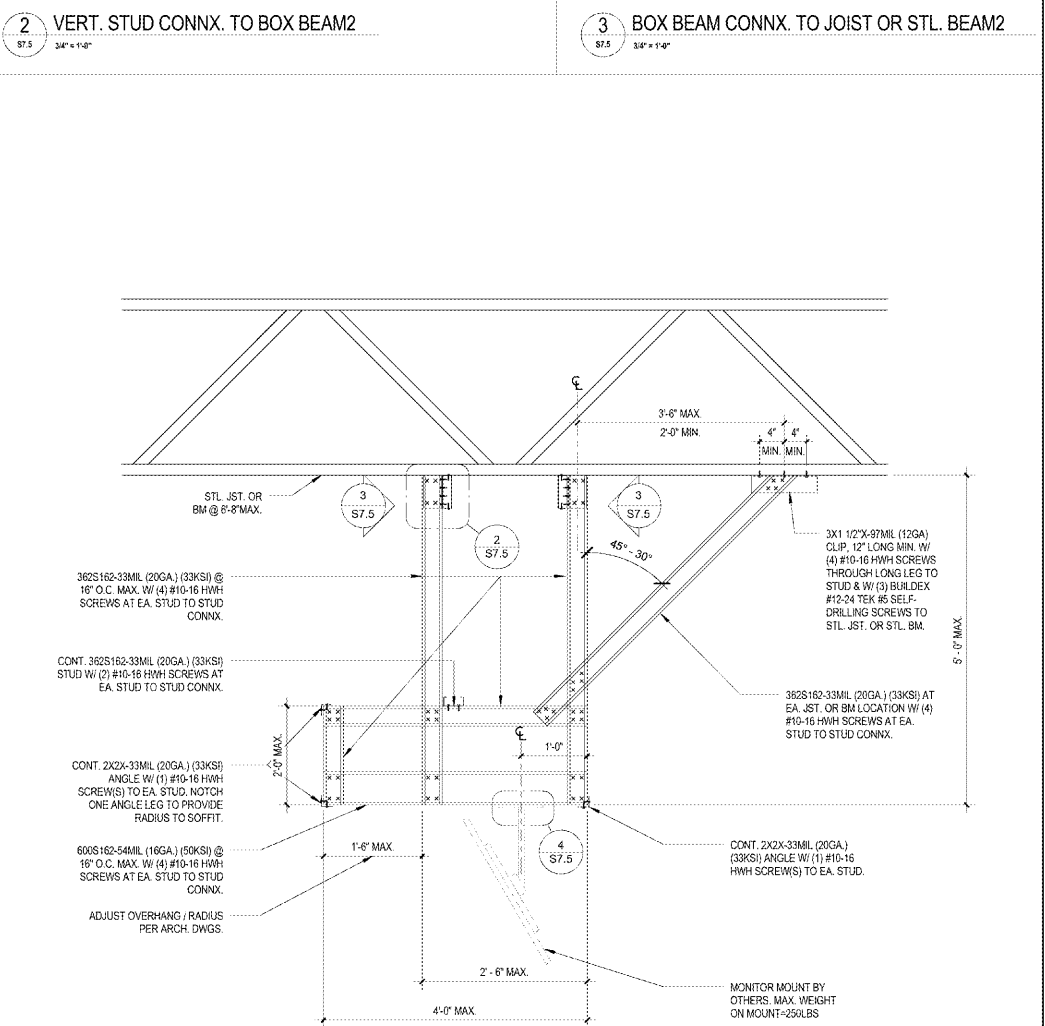
5 TV SHROUD @ FOOD SERVICE SOFFIT
S7.5 1" x 1/4"



4 TV MOUNT SUPPORT BLOCKING2
S7.5 3/4" x 1/4"



3 BOX BEAM CONNX. TO JOIST OR STL. BEAM2
S7.5 3/4" x 1/4"



1 MONITOR SUPPORT FRAMING DETAIL2
S7.5 3/4" x 1/4"

1925 Prospect Ave.
Oxford, PA 17081
(407) 661-1100
(407) 661-9101
www.wjd.com

Chahaci & Peterson
Architects Planners

CLIENT NAME
WAWA
280 W. BALTIMORE PIKE
WAWA, PA 19063

PROJECT NAME
WAWA U45-FB-LA-M v2017.01
STORE #6681-STO
NEWTOWN RD & STONEY POINT ST
NORFOLK, VA

No.	Description	Date
1	PERMIT SET	05/11/2018
2	PRE-BID REVIEW SET	01/09/2019
3	BID SET	01/29/2019

PROJECT NO. 2170277
DATE 05-11-2018
DRAWN RC
CHECKED JJ

S7.5

FRAMING DETAILS