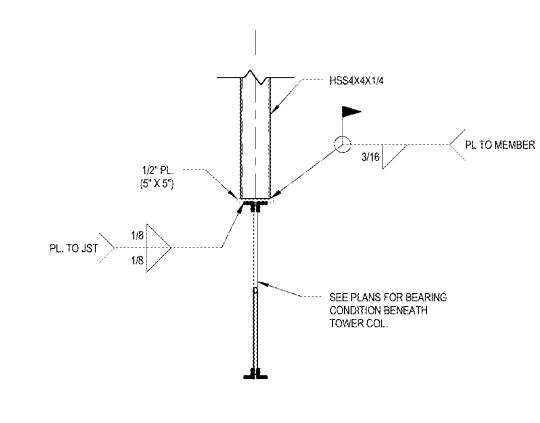
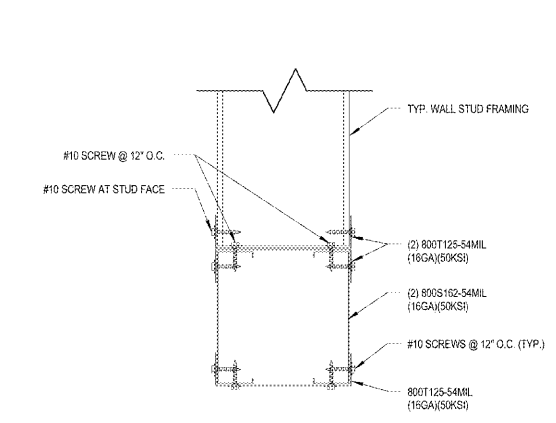


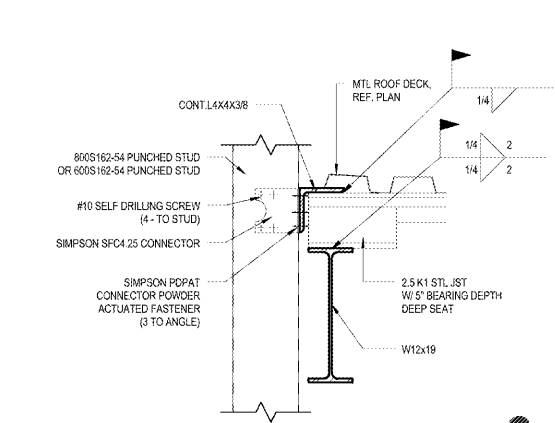
12 HSS TOWER COLUMN TO JOIST CONNECTION
S7.3 1' x 1'-0"



8 OPENING HEADER
S7.3 3' x 1'-0"



4 TOWER FRONT STUD BY-PASS FRAMING CONNECTION
S7.3 1'10\"/>

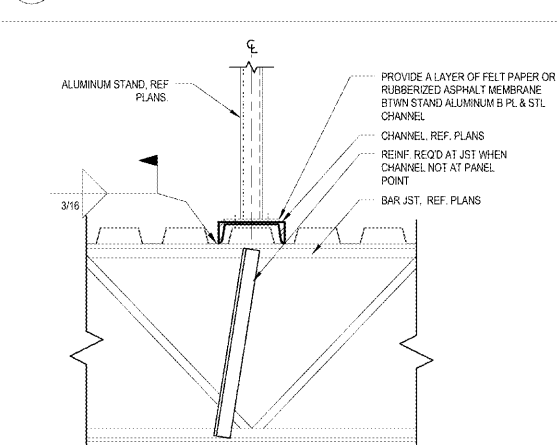


GENERAL SHEET NOTES
1. SEE GENERAL NOTES AND SPECIFICATIONS FOR ADDITIONAL REQUIREMENTS NOT SHOWN HERE TO INCLUDE PAINTING / COATING REQUIREMENTS.
2. DETAILS FOR CONNECTIONS ARE SCHEMATIC. STEEL FABRICATOR SHALL PROVIDE FINAL CONNECTION DESIGN. LIGHT GAUGE METAL SUPPLIER SHALL ADOPT REQUIRED COMPONENTS AS SHOWN IN THE DETAILS AND ADJUST TO SPECIFIC FIELD CONDITIONS.

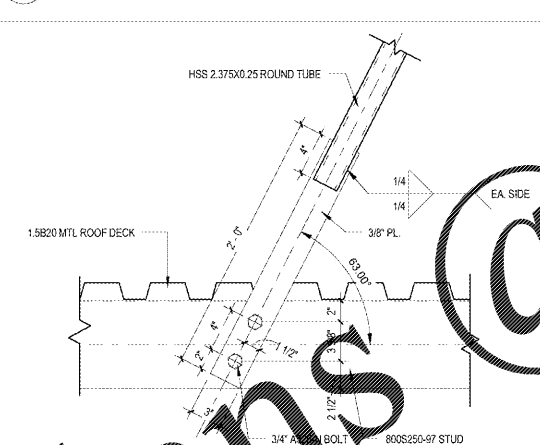
1925 Prospect Ave.
Oxford, PA 17081
(407) 661-1100
(407) 661-9101
www.c-p.com

Chhabri & Peterson
Architects Planners

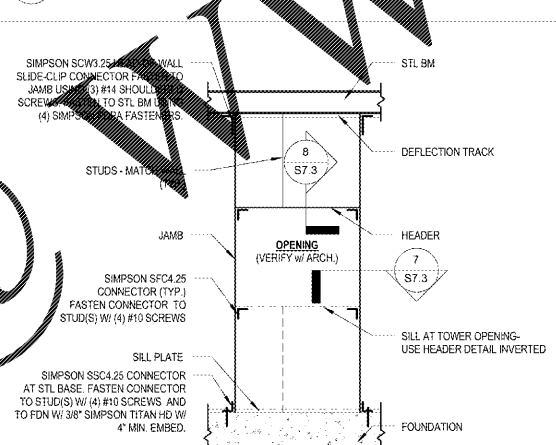
15 ALUMINUM STAND DETAIL 2
S7.3 1'10\"/>



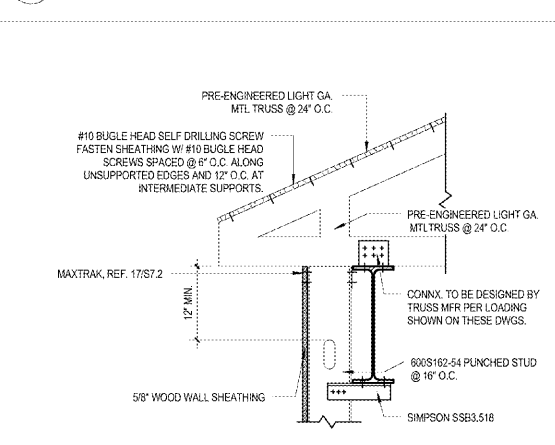
11 CANOPY FRAMING ANCHOR ROD TO FRAME CONNECTION
S7.3 1'10\"/>



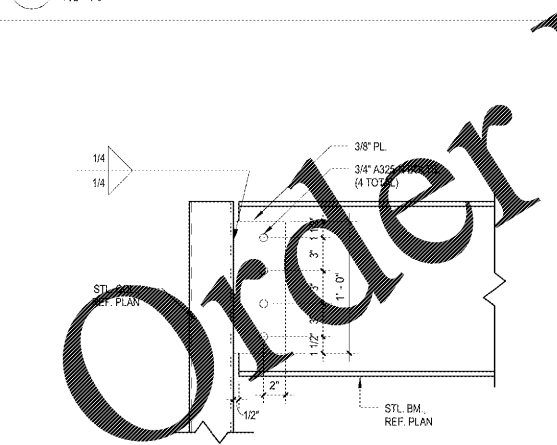
7 OPENING JAMB
S7.3 3' x 1'-0"



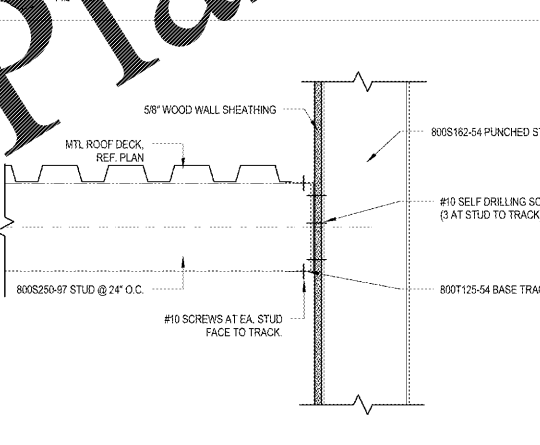
3 STUD BY-PASS FRAMING CONNECTION
S7.3 1'10\"/>



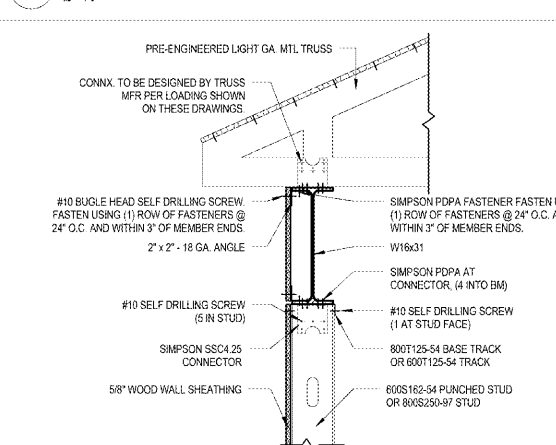
14 ALUMINUM STAND DETAIL
S7.3 1'10\"/>



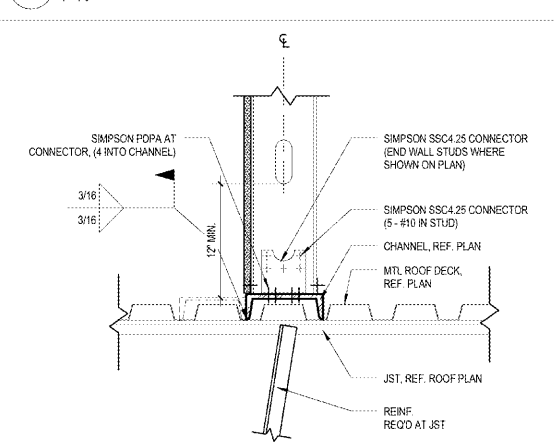
10 CANOPY FRAMING CONNECTION AT BRACE AND BEAM
S7.3 1'10\"/>



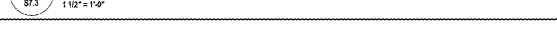
6 LIGHT GAUGE WALL OPENING FRAMING
S7.3 12\"/>



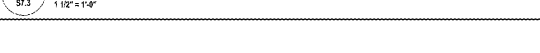
2 TOWER LIGHT GAUGE FRAMING AT TOP OF WALL
S7.3 1' x 1'-0"



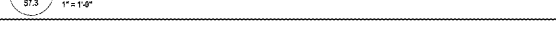
13 HSS TOWER TO W BEAM CONNECTION
S7.3 1'10\"/>



9 CANOPY FRAMING CONNECTION TO WALL
S7.3 1' x 1'-0"



5 TOWER LIGHT GAUGE FRAMING AT TOP OF WALL GRIDLINE F
S7.3 1' x 1'-0"



1 TOWER LIGHT GAUGE FRAMING CORNER HOLD-DOWN CONNECTION
S7.3 1'10\"/>



Order Plans @

CLIENT NAME
WAWA
280 W. BALTIMORE PIKE
WAWA, PA 19063

PROJECT NAME
WAWA U45-FB1-VA-M V2017.01
STORE #6681-STO
NEWTOWN RD & STONEY POINT ST
NORFOLK, VA

SHEET TITLE
FRAMING DETAILS

Revision Schedule	No.	Description	Date
PERMIT SET	05-11-2018		
PRE-BID REVIEW SET	01/09/2019		
BID SET	01/28/2019		

PROJECT NO. 2170277
DATE 05-11-2018
DRAWN RJC
CHECKED JJ

S7.3