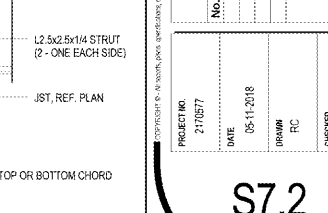
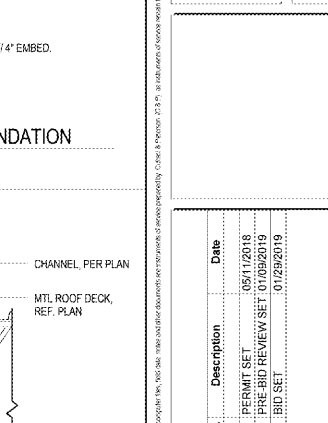
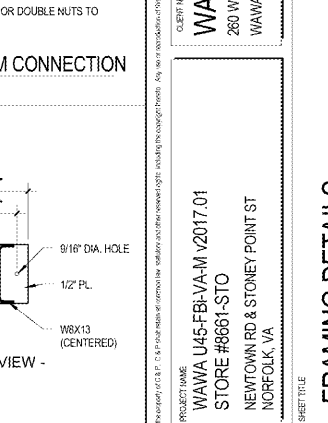
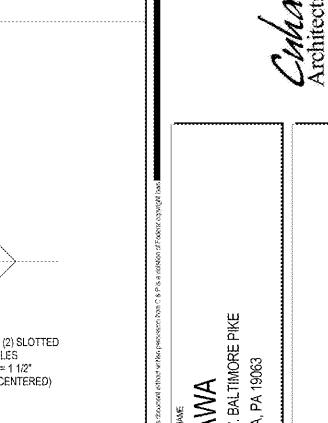
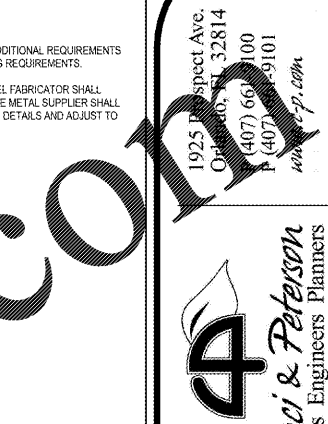
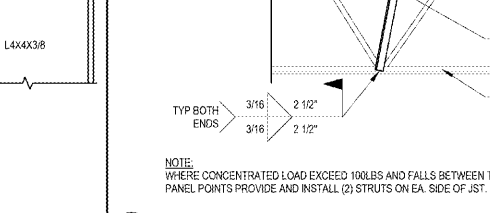
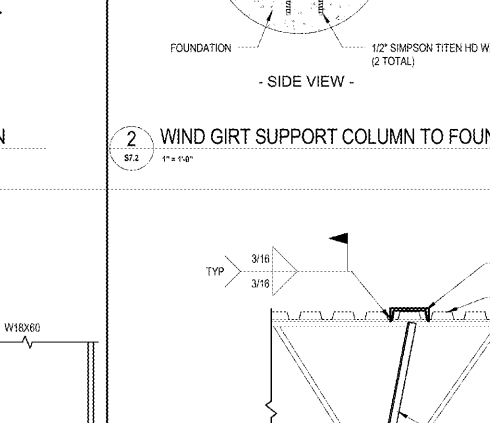
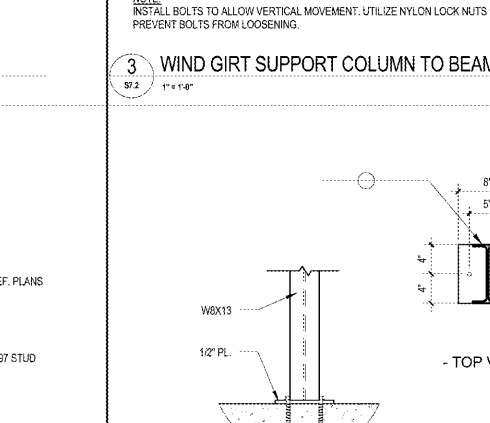
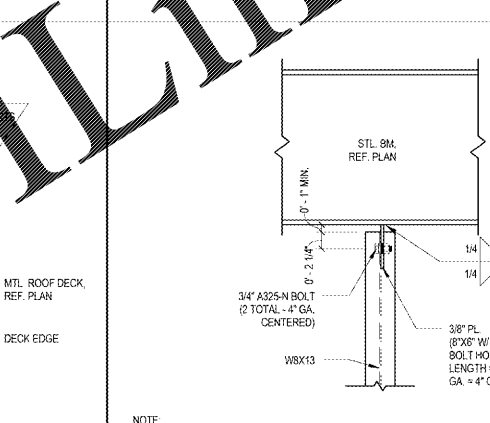
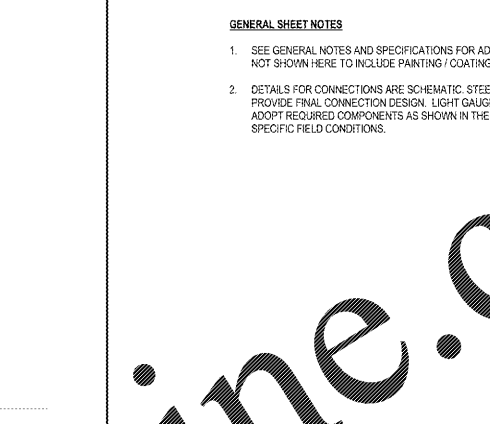
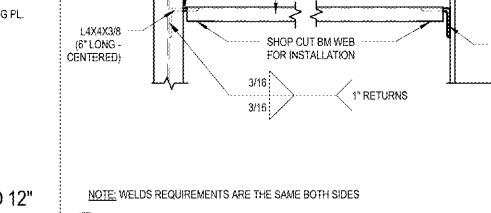
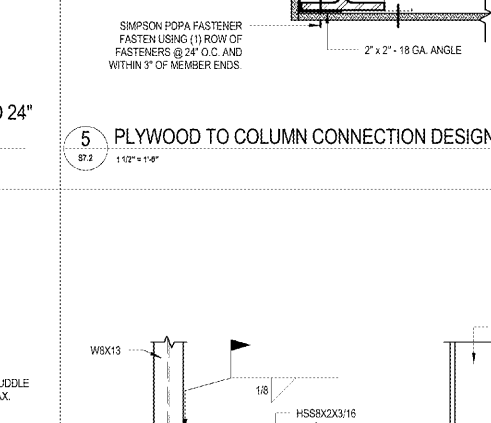
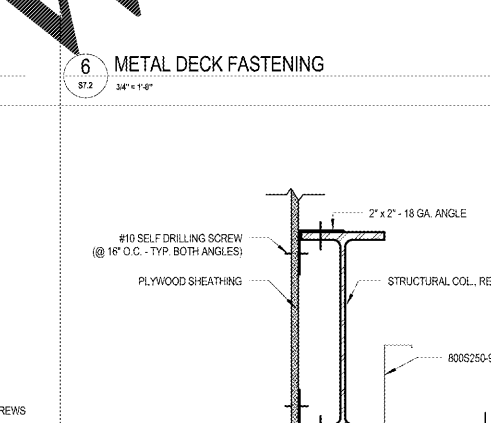
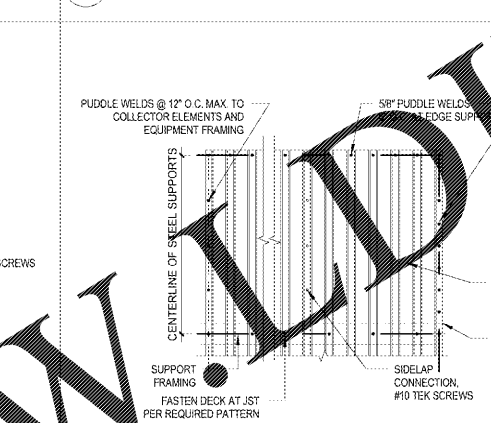
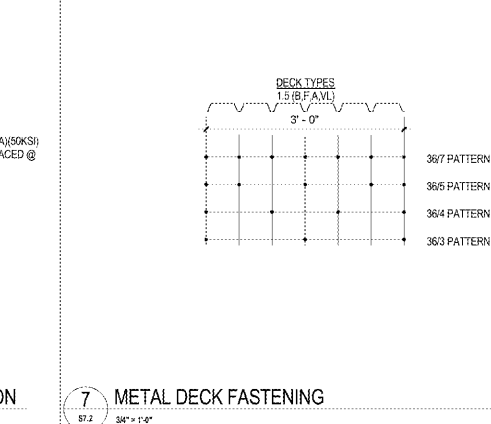
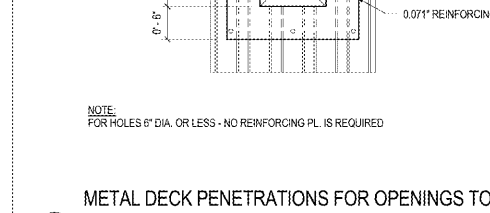
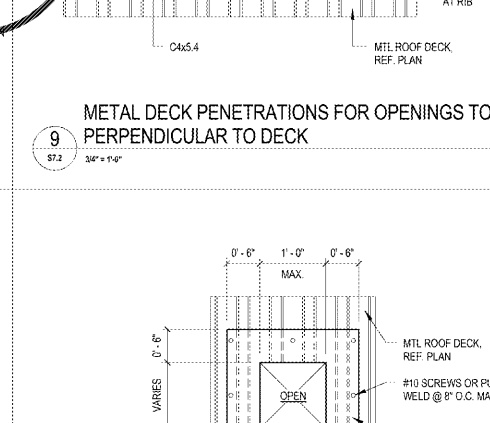
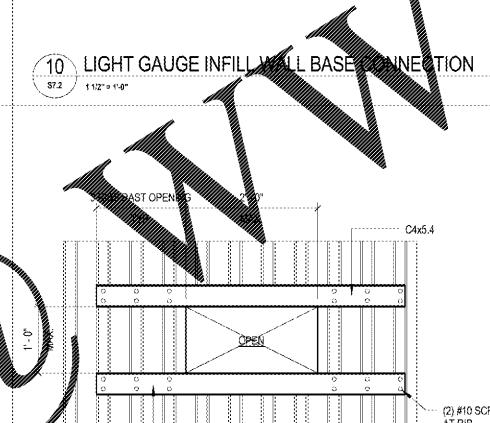
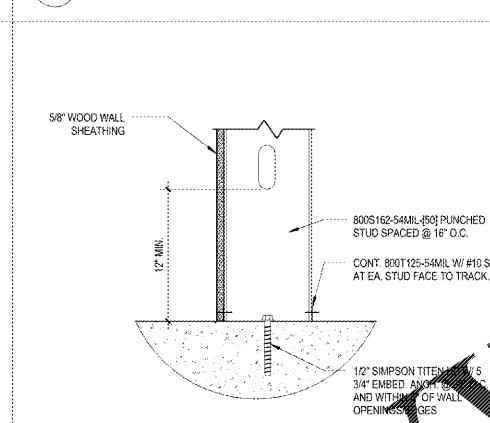
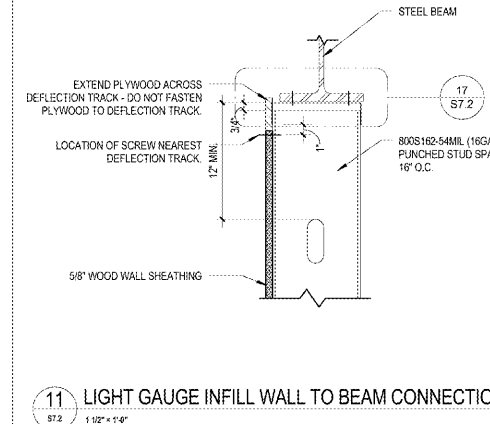
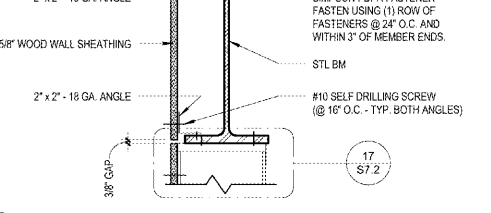
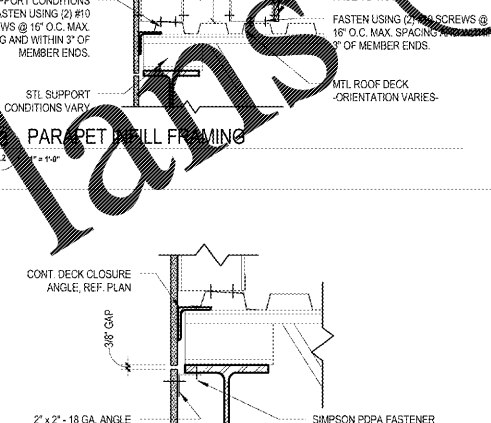
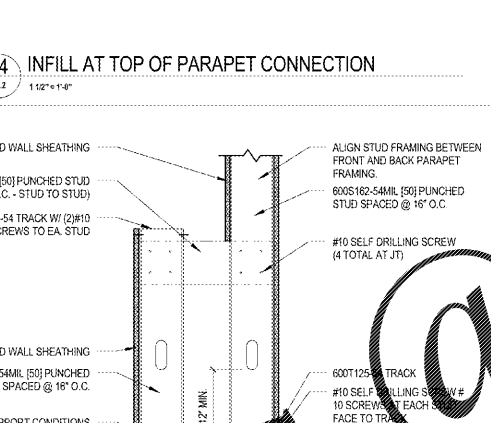
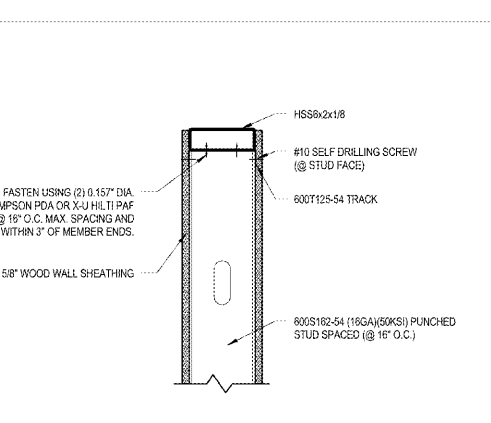


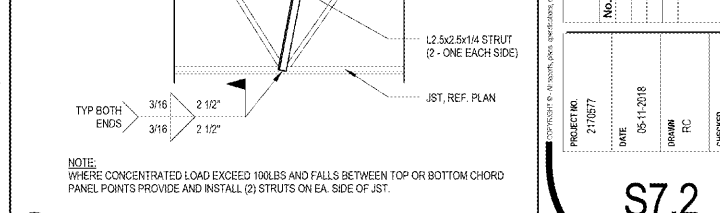
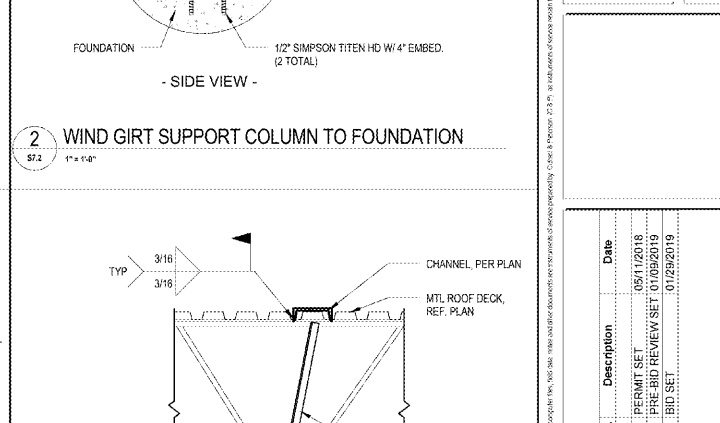
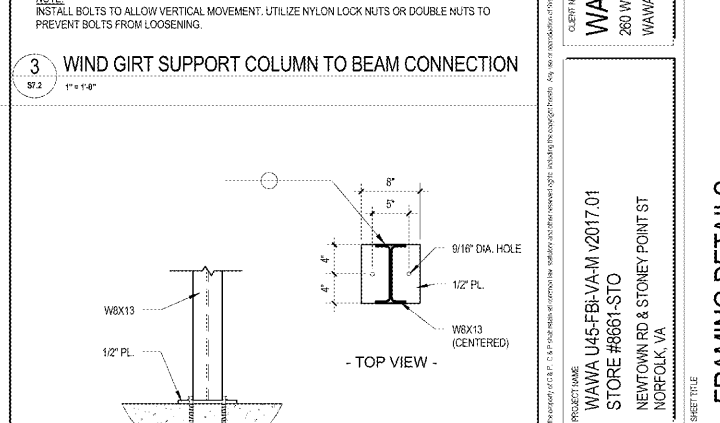
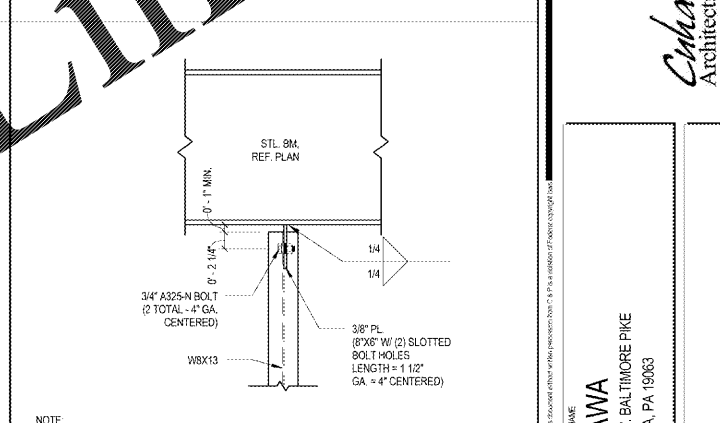
FRAMING NOTES:

1. SCREWS SHALL PENETRATE ALL FRAMING COMPONENTS.
2. SCREWS SHALL HAVE A MIN. OF THREE EXPOSED THREADS EXTENDING THROUGH THE STEEL BEYOND ALL FRAMING COMPONENTS CONNECTED.
3. PROVIDE 1/2" MIN. EDGE DIST. AND 3/4" MIN. SPAC. FOR #10 AND #12 SELF DRILLING SCREWS.
4. PROVIDE 1/2" MIN. EDGE DIST. AND 1" MIN. SPACING FOR PDF INTO STEEL (TYP.) PDF ARE TO FULLY PENETRATE THE STRUCTURAL STEEL AND SHOULD HAVE A KINKED SHANK.
5. PROVIDE 3" MIN. EDGE DIST. AND 4" MIN. SPACING FOR 0.157" DIA. HILTI X-U PDF INTO CONCRETE (TYP.)
6. STUD PUNCHOUTS TO BE AT LEAST 10" FROM END OF STUD.



GENERAL SHEET NOTES

1. SEE GENERAL NOTES AND SPECIFICATIONS FOR ADDITIONAL REQUIREMENTS NOT SHOWN HERE TO INCLUDE PAINTING / COATING REQUIREMENTS.
2. DETAILS FOR CONNECTIONS ARE SCHEMATIC. STEEL FABRICATOR SHALL PROVIDE FINAL CONNECTION DESIGN. LIGHT GAUGE METAL SUPPLIER SHALL ADOPT REQUIRED COMPONENTS AS SHOWN IN THE DETAILS AND ADJUST TO SPECIFIC FIELD CONDITIONS.



17 MAXTRAK DEFLECTION TRACK SECTION
S7.2 1'-0" x 1'-0"

14 INFILL AT TOP OF PARAPET CONNECTION
S7.2 1'-0" x 1'-0"

10 LIGHT GAUGE INFILL WALL BASE CONNECTION
S7.2 1'-0" x 1'-0"

7 METAL DECK FASTENING
S7.2 3/4" x 1'-0"

3 WIND GIRT SUPPORT COLUMN TO BEAM CONNECTION
S7.2 1" x 1'-0"

16 TOWER LIGHT GAUGE FRAMING BASE CONNECTION
S7.2 1'-0" x 1'-0"

13 PARAPET INFILL FRAMING
S7.2 1'-0" x 1'-0"

9 METAL DECK PENETRATIONS FOR OPENINGS TO 24" PERPENDICULAR TO DECK
S7.2 3/4" x 1'-0"

5 PLYWOOD TO COLUMN CONNECTION DESIGN
S7.2 1'-0" x 1'-0"

2 WIND GIRT SUPPORT COLUMN TO FOUNDATION
S7.2 1" x 1'-0"

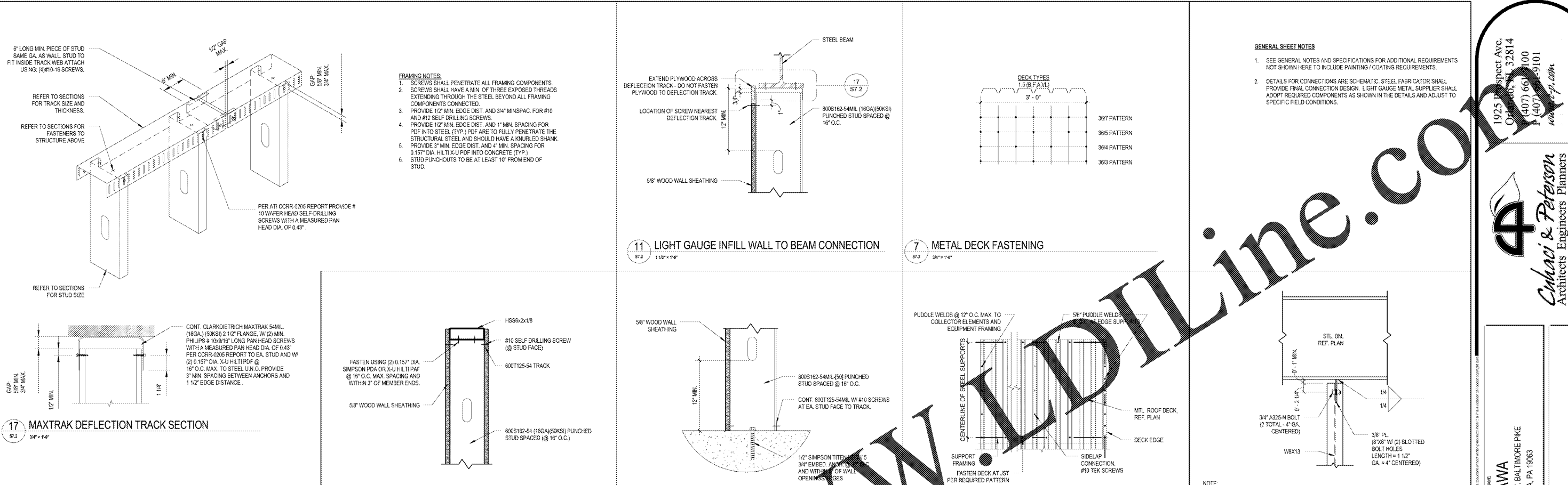
15 TOWER LIGHT GAUGE FRAMING BASE CONNECTION
S7.2 1'-0" x 1'-0"

12 INFILL FRAMING AT SUPPORT BEAMS
S7.2 1'-0" x 1'-0"

8 METAL DECK PENETRATIONS FOR OPENINGS TO 12" PERPENDICULAR TO DECK
S7.2 3/4" x 1'-0"

4 HSS WIND GIRT TO COLUMN CONNECTIONS
S7.2 1" x 1'-0"

1 JOIST CONCENTRATED LOAD SUPPORT
S7.2 3/4" x 1'-0"



1925 Prospect Ave.
Oxford, MD 21133
(410) 661-1100
(410) 661-9101
www.c-p.com

4

Chhacri & Peterson
Architects & Planners

CLIENT NAME
WAWA
280 W. BALTIMORE PIKE
WAWA, PA 19063

PROJECT NAME
WAWA U45-FB1-VA-M 2017.01
STORE #6681-STO
NEWTOWN RD & STONEY POINT ST
NORFOLK, VA

| No. | Description | Date |
|-----|--------------------|------------|
| 1 | PERMIT SET | 05/11/2018 |
| 2 | PRE-BID REVIEW SET | 01/09/2019 |
| 3 | BID SET | 01/29/2019 |

PROJECT NO. 2170277
DATE 05-11-2018
DRAWN RJC
CHECKED JJ

S7.2