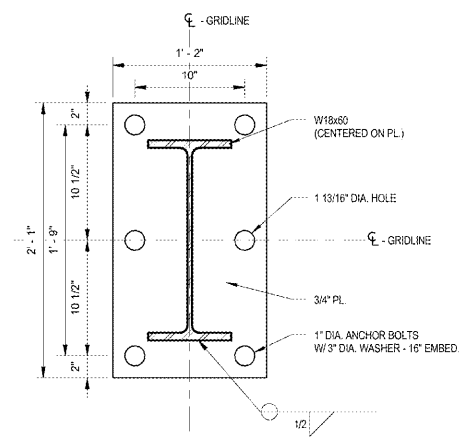
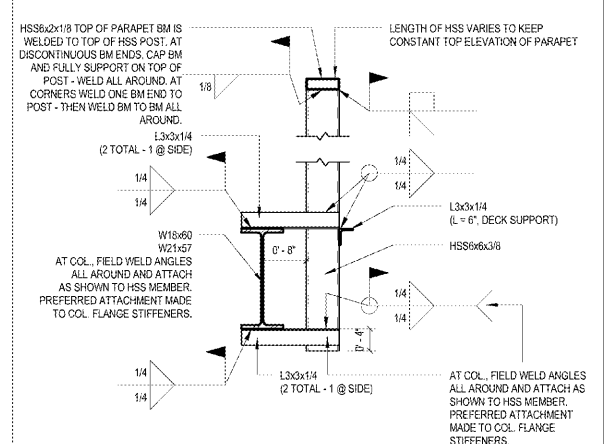


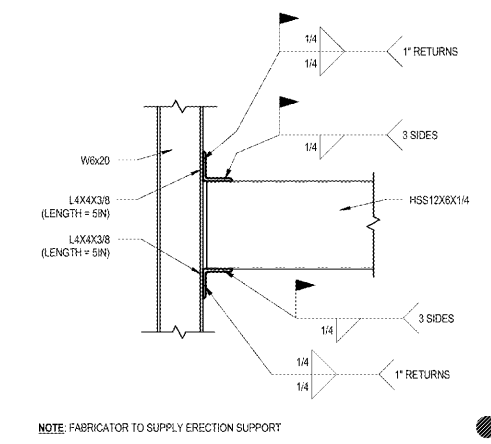
**16** W21 BEAM TO W18 COLUMN CONNECTION  
S7.1 1" = 1/4"



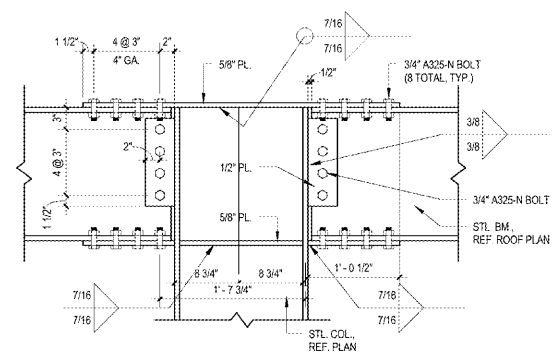
**12** W18x60 BASE PLATE (BP1)  
S7.1 1 1/2" = 1/4"



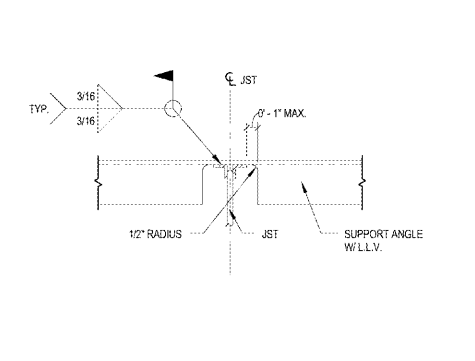
**8** PARAPET FRAMING  
S7.1 3/4" = 1/4"



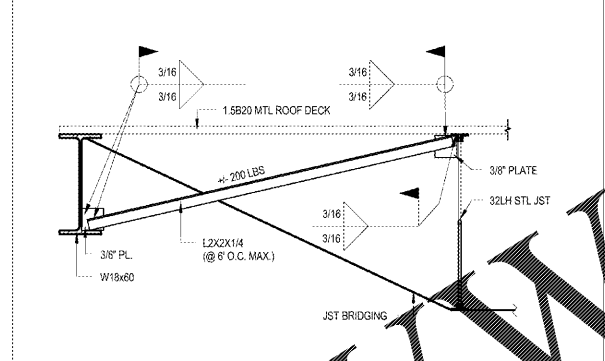
**4** HSS12 BEAM TO W6 COLUMN CONN.  
S7.1 1" = 1/4"



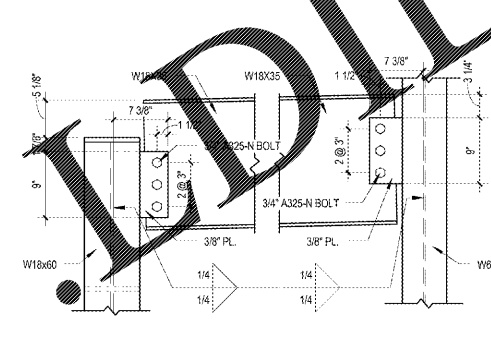
**15** MOMENT CONNECTION AT FRAME INTERIOR - TYPICAL  
S7.1 1" = 1/4"  
NOTE: ADJUST DETAIL AS REQUIRED



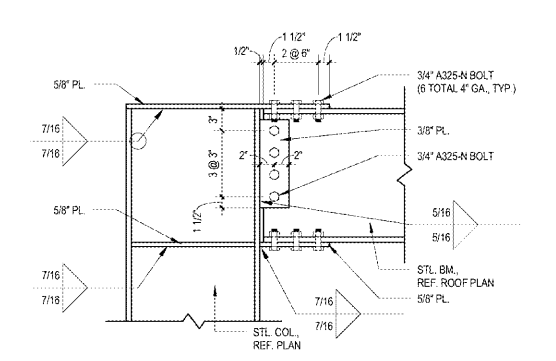
**11** MECHANICAL SUPPORT ANGLE MID-SPAN CONNECTION-TYPICAL  
S7.1 1 1/2" = 1/4"



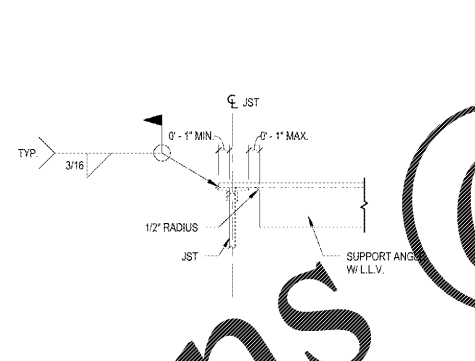
**7** W18 ROOF CONNECTION  
S7.1 3/4" = 1/4"



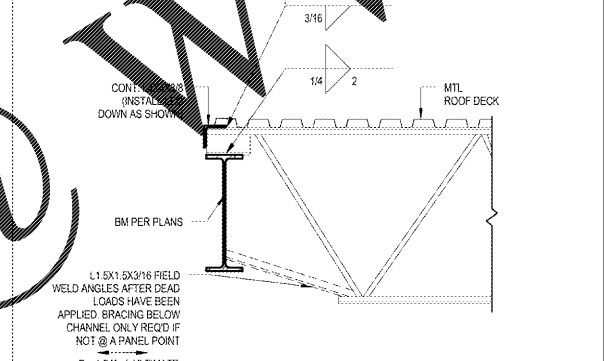
**3** W18 BEAM TO W18 COLUMN CONNECTION  
S7.1 1" = 1/4"



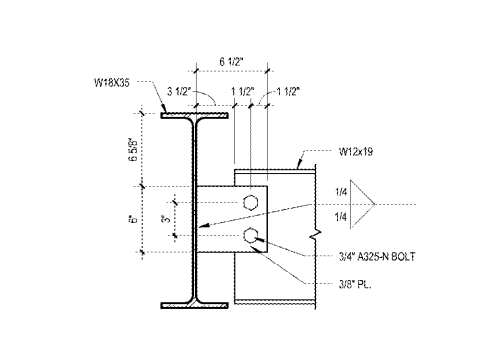
**14** MOMENT CONNECTION AT FRAME ENDS - TYPICAL  
S7.1 1" = 1/4"  
NOTE: ADJUST DETAIL AS REQUIRED



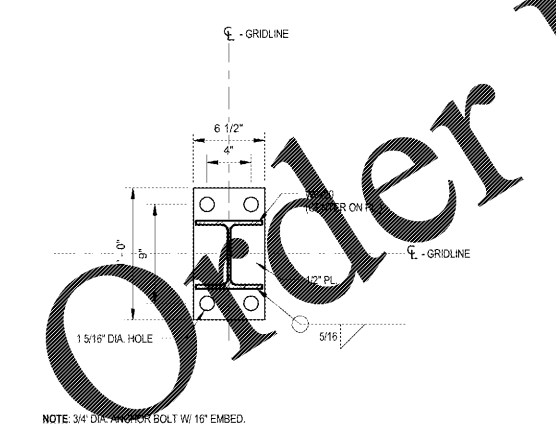
**10** MECHANICAL SUPPORT ANGLE EDGE CONNECTION - TYPICAL  
S7.1 1 1/2" = 1/4"



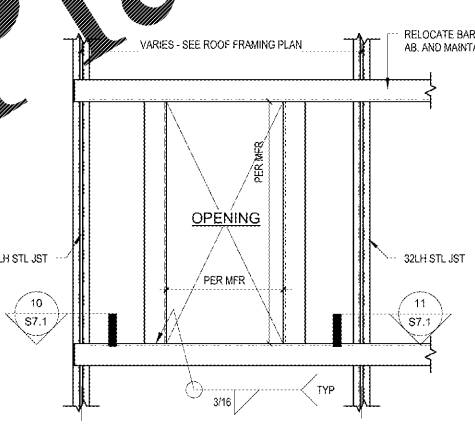
**6** LH JOIST TO BEAM CONN  
S7.1 3/4" = 1/4"



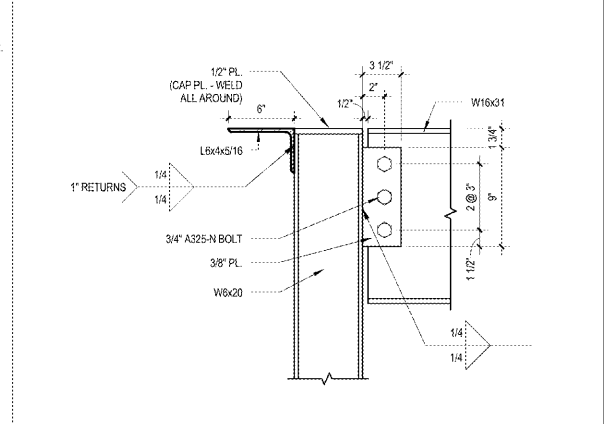
**2** W12 BEAM TO W18 BEAM CONNECTION  
S7.1 1 1/2" = 1/4"



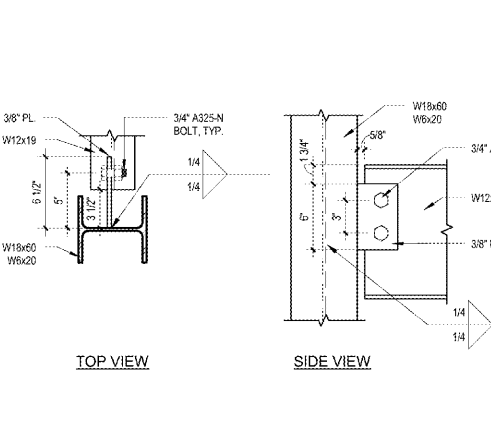
**13** W6 BASE PLATE (BP2)  
S7.1 1 1/2" = 1/4"



**9** JOIST MECHANICAL UNIT SUPPORT  
S7.1 3/4" = 1/4"



**5** W16 BEAM TO W6 COLUMN CONNECTION  
S7.1 1 1/2" = 1/4"



**1** W12 BEAM TO W COLUMN CONNECTION  
S7.1 1 1/2" = 1/4"

**GENERAL SHEET NOTES**  
1. SEE GENERAL NOTES AND SPECIFICATIONS FOR ADDITIONAL REQUIREMENTS NOT SHOWN HERE TO INCLUDE PAINTING / COATING REQUIREMENTS.  
2. DETAILS FOR CONNECTIONS ARE SCHEMATIC. STEEL FABRICATOR SHALL PROVIDE FINAL CONNECTION DESIGN. LIGHT GAUGE METAL SUPPLIER SHALL ADOPT REQUIRED COMPONENTS AS SHOWN IN THE DETAILS AND ADJUST TO SPECIFIC FIELD CONDITIONS.

Order Plans @ WWW.IDLine.com

1925 Prospect Ave.  
Oxford, MD 21654  
(407) 663-1100  
(407) 663-9101  
www.idline.com

**4**  
**Chhaci & Peterson**  
Architects Engineers Planners

CLIENT NAME  
**WAWA**  
280 W. BALTIMORE PIKE  
WAWA, PA 19063

PROJECT NAME  
**WAWA U45-FB1-VA-M v2017.01**  
STORE #6681-STO  
NEWTOWN RD & STONEYPOINT ST  
NORFOLK, VA

SHEET TITLE  
**FRAMING DETAILS**

No.	Description	Date
2170277	PERMIT SET	05/11/2018
	PRE-BID REVIEW SET	01/09/2019
	BID SET	01/29/2019

PROJECT NO. 2170277  
DATE 05-11-2018  
DRAWN RJC  
CHECKED JJ