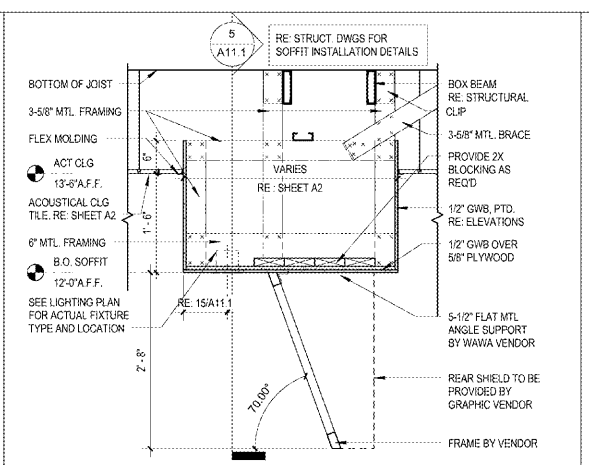
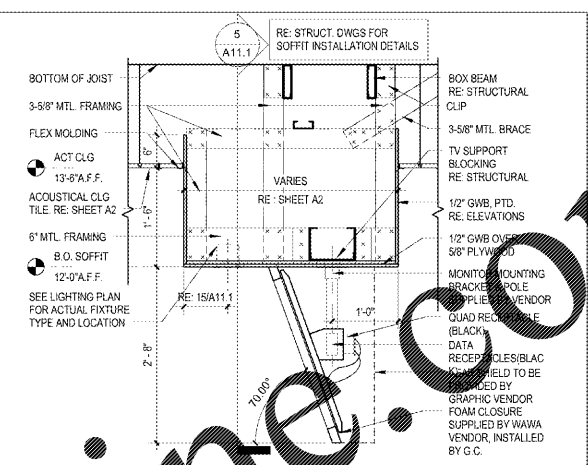


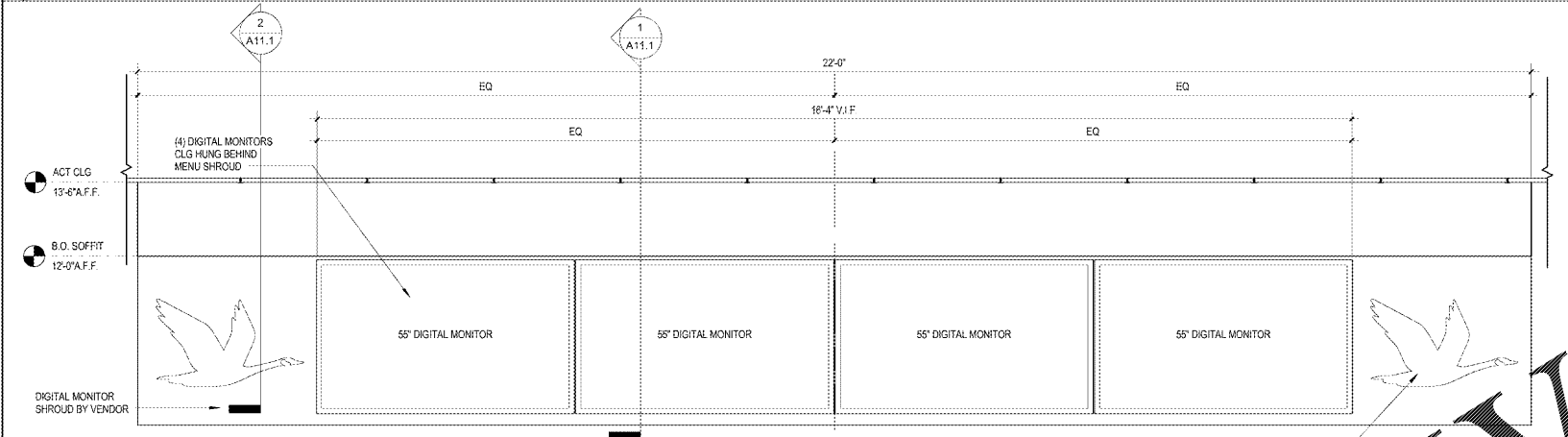
5 FOOD SERVICE SOFFIT SECTION
34\"/>



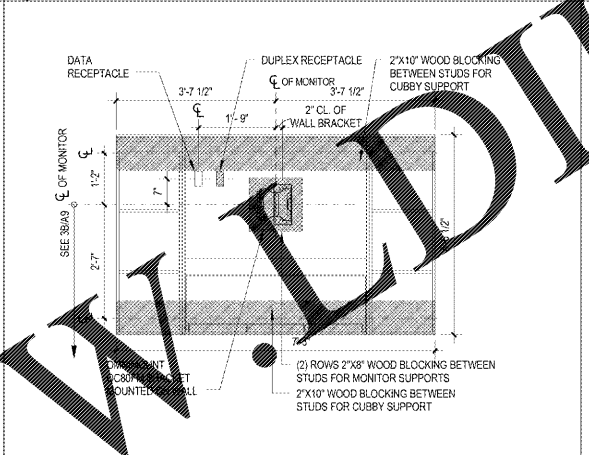
2 TV SHROUD @ FOOD SERVICE SOFFIT SECTION
34\"/>



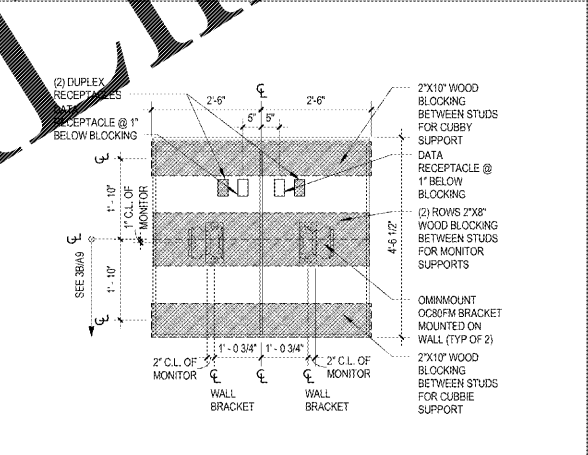
1 LED MONITOR @ FOOD SERVICE SOFFIT SECTION
34\"/>



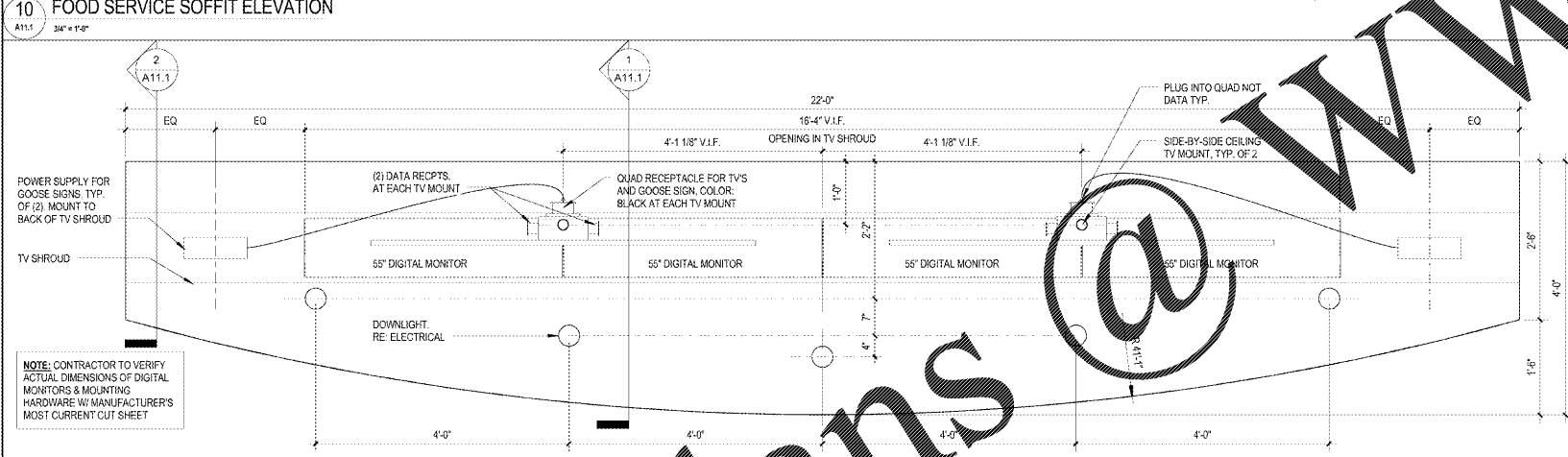
10 FOOD SERVICE SOFFIT ELEVATION
34\"/>



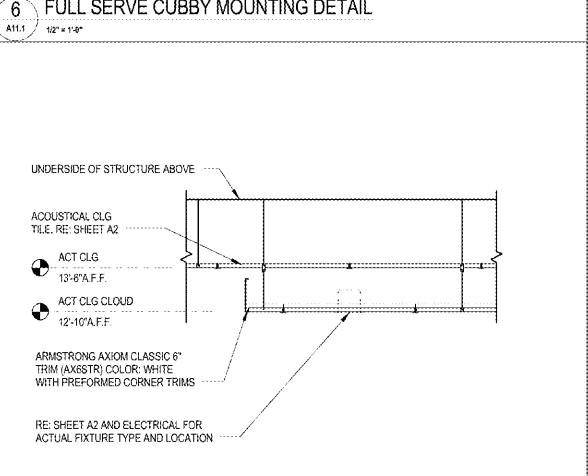
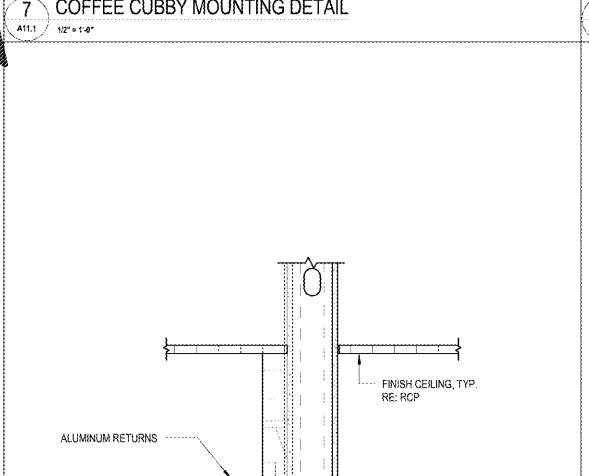
7 COFFEE CUBBY MOUNTING DETAIL
12\"/>



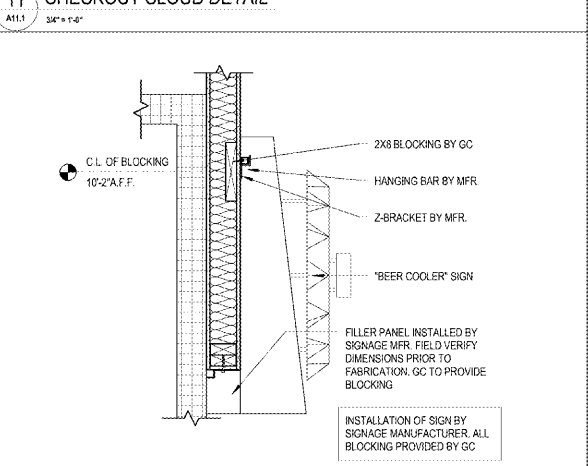
6 FULL SERVE CUBBY MOUNTING DETAIL
12\"/>



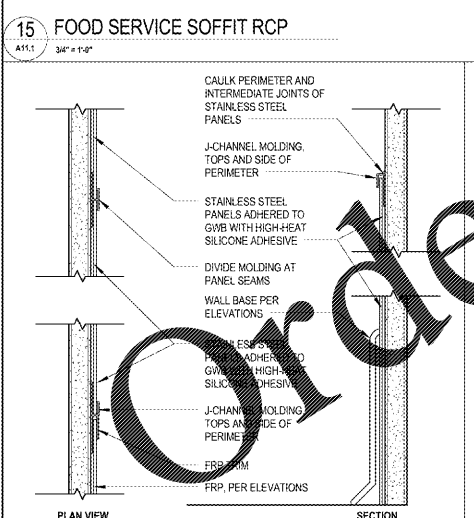
15 FOOD SERVICE SOFFIT RCP
34\"/>



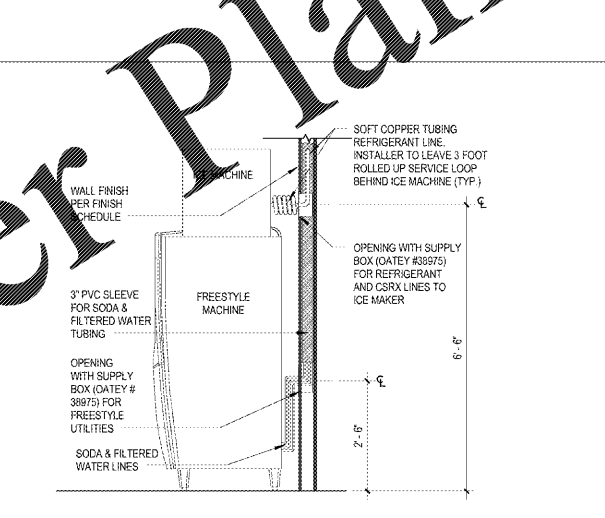
11 CHECKOUT CLOUD DETAIL
34\"/>



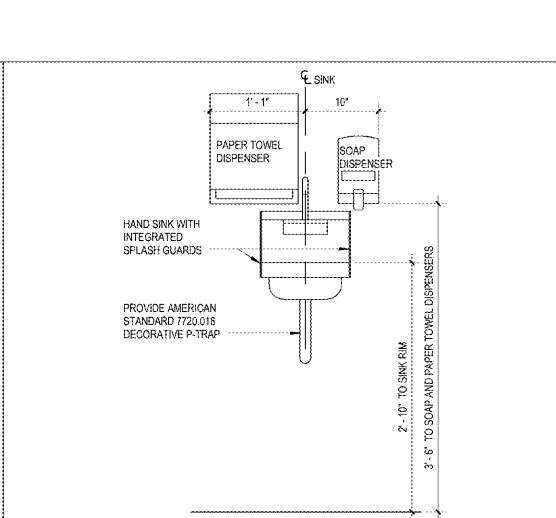
16 BEER COOLER SIGN DETAIL
1\"/>



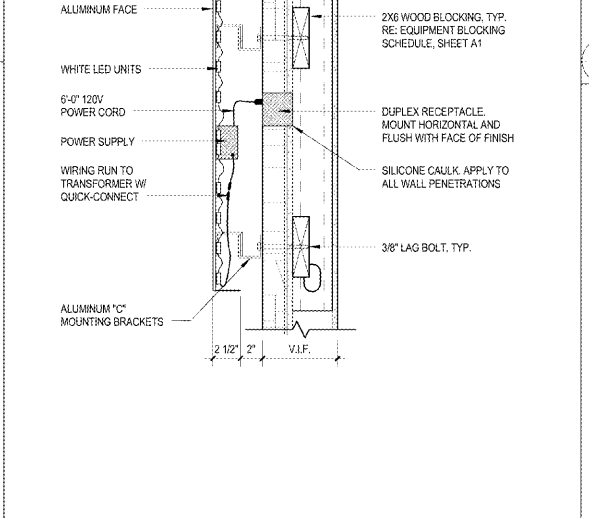
20 STAINLESS STEEL WALL PANEL DETAIL
6\"/>



19 SECTION @ DRINK MACHINE
12\"/>



18 HANDWASH SINK DETAIL
1\"/>



17 LOGO SIGN MOUNTING DETAIL
1\"/>

WAWA
260 W. BALTIMORE PIKE
WAWA, VA 19063

INTERIOR DETAILS

PROJECT NAME	WAWA U45-FB1-VA-M v2017.01
PROJECT NO.	STORE #8661-STO
DATE	05/11/2018
PERMIT SET	01/09/2019
PRE-BID REVIEW SET	01/09/2019
BID SET	01/09/2019

Revision Schedule

No.	Description	Date
1	PERMIT SET	05/11/2018
2	PRE-BID REVIEW SET	01/09/2019
3	BID SET	01/09/2019

PROJECT NO. 217057
DATE 05-11-18
DRAWN
AUTHOR
CHECKED
CHECKER

A11.1

10/2018 © Wawa, Inc. All rights reserved. Wawa, Inc. is the registered owner of the Wawa logo and other marks used herein. No part of this document may be reproduced without the written permission of Wawa, Inc. All other marks used herein are the property of their respective owners.

4

Chhaci & Peterson
Architects Engineers Planners

1925 Respect Ave.
Oxford, MS 38814
(407) 668-1100
(407) 668-9101
www.c-p.com