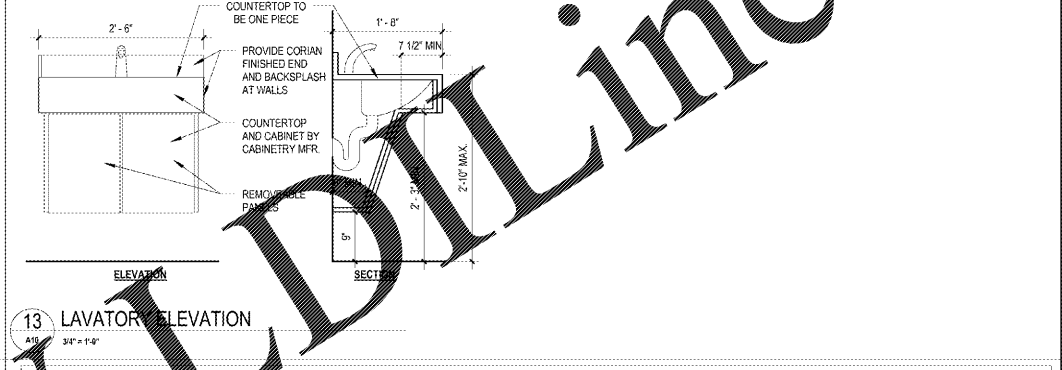
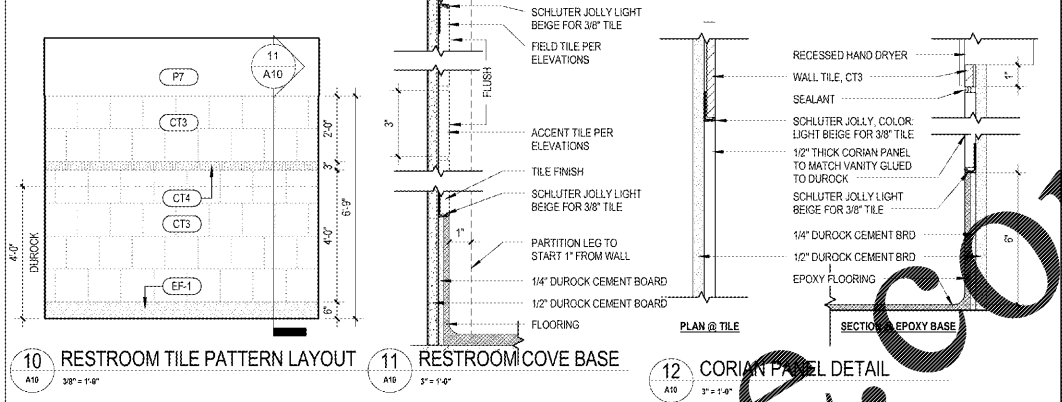
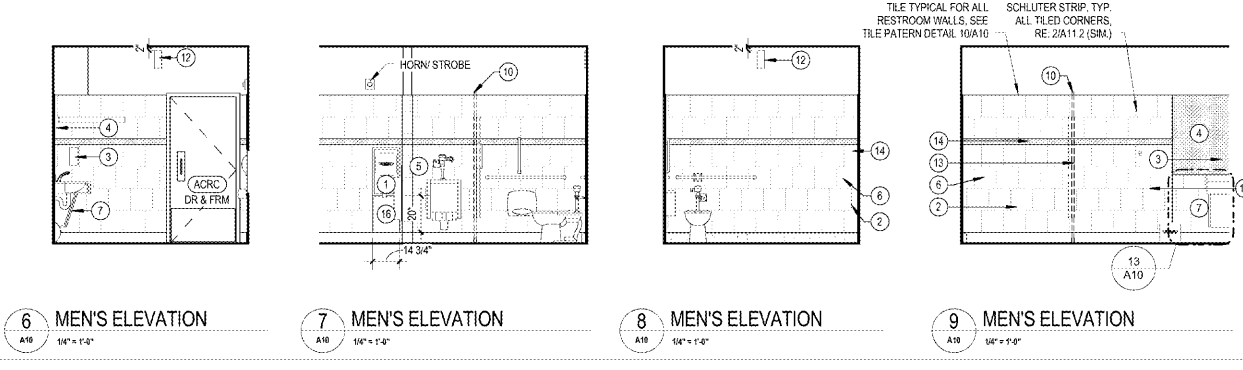
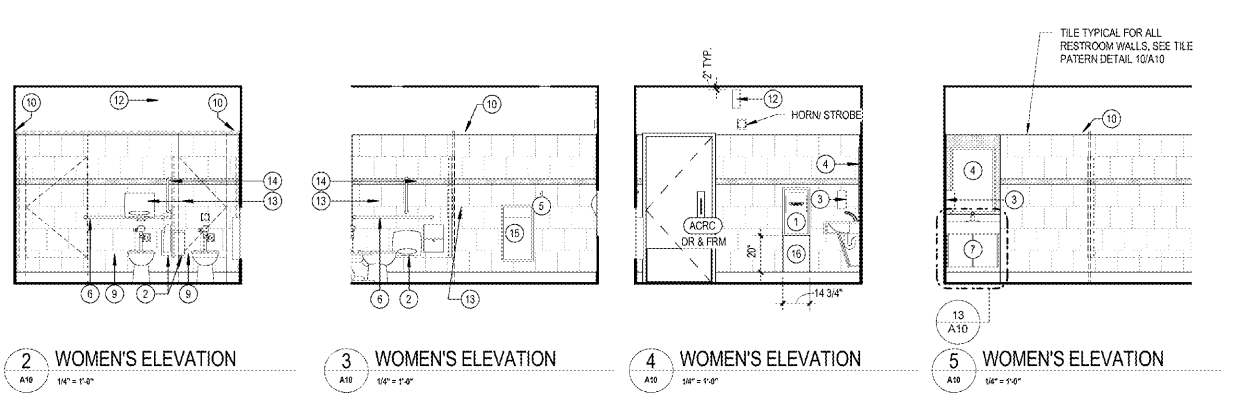
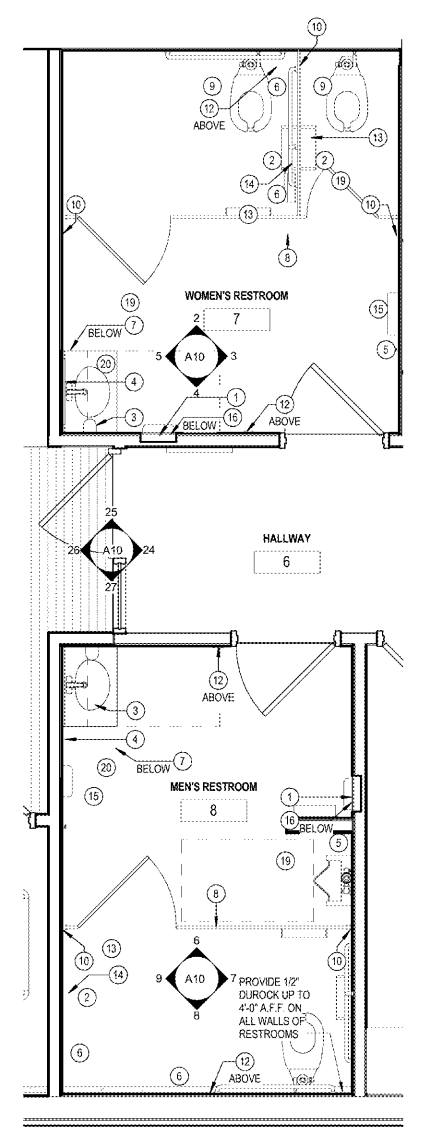


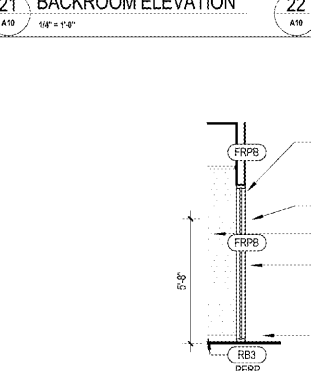
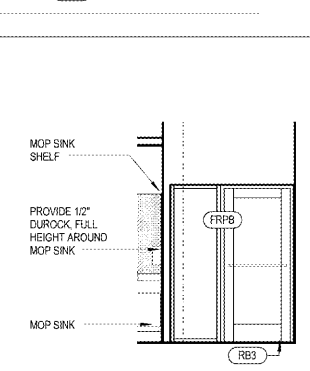
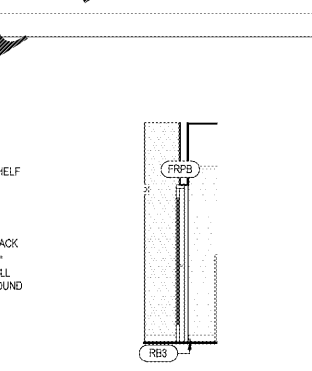
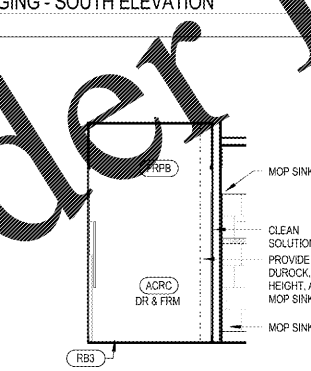
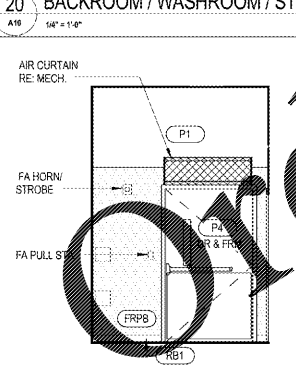
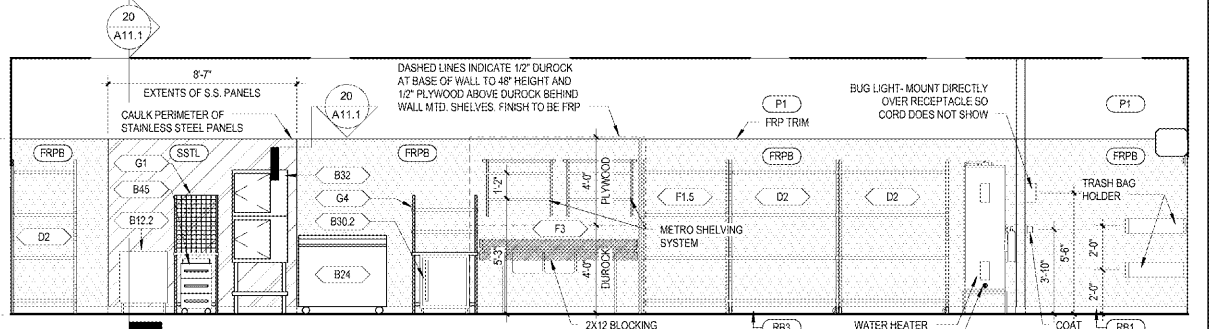
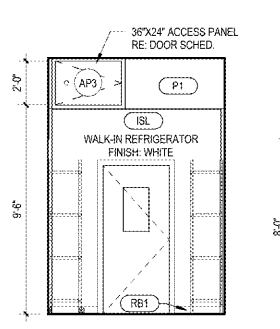
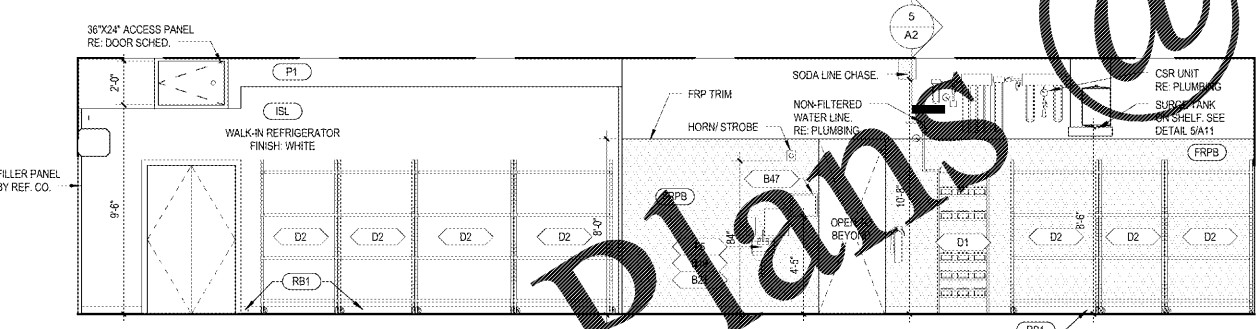
WWW.LDLine.com



RESTROOM ACCESSORIES SCHEDULE

ALL ACCESSORIES SUPPLIED BY WAWA VENDOR. INSTALLED BY G.C. UNLESS NOTED OTHERWISE.

#	ITEM	MANUFACTURER	MODEL #	REMARKS	SUPPLIED BY
1	ELECTRONIC HAND DRYER	EXCEL DRYER INC.	XLERATOR XL-G	CHROME ELECTRONIC HAND DRYER WITH RECESSED KIT	HJC
2	T.P. HOLDER			7" MIN. - 9" MAX. IN FRONT OF WC. SUPPLIED BY WAWA	HJC
3	SOAP DISPENSER	TORIK	571608 BLACK	TOUCHLESS ELECTRONIC SOAP DISPENSER - BATTERY OPERATED	HJC
4	MIRROR	BRADLEY	780-3436	24" X 36" MIRROR W/ S.S. FRAME IN SATIN FINISH. BOTTOM @ 3'-2" A.F.F.	HJC
5	COAT HOOK	BOBRICK	B-233	STAINLESS STEEL WITH SATIN FINISH MOUNT @ 46" A.F.F. PROVIDE (1) PER RESTROOM + (1) IN ACCESSIBLE STALL	HJC
6	42" GRAB BAR	BRADLEY	812-00142	STAINLESS STEEL WITH SATIN FINISH. MOUNT HORIZ. RAILS @ 34 1/2" A.F.F. BOTH RAILS 42" IN LENGTH	HJC
7	LAV CABINET	BRADLEY		CABINET BELOW LAVATORY. SUPPLIED AND INSTALLED BY CABINET VENDOR. COORDINATED BY G.C.	CABINET
8	TOILET PARTITION	BRADLEY	BRADMAR M244 CANYON GRANITE	SOLID PLASTIC PARTITIONS (NO SITE LINES) W/ S.S. PRIVACY SLATS. PROVIDE PULLS ON BOTH SIDES OF ADA STALL DOOR.	HJC
9	NAPKIN DISPOSAL UNIT	BRADLEY	4722-15	STAINLESS STEEL WITH SATIN FINISH. WOMEN'S ROOM ONLY	HJC
10	PARTITION WALL BRACKET	BRADLEY		MOUNT ON TOP RAIL WHERE PARTITIONS MEET WALL	HJC
12	ECONOMIZER DISPENSER	MICROBURST	8000	TWO UNITS PER RESTROOM SCREW TO WALLS. ONE NEAR DOOR AND OTHER ON OPPOSITE WALL. TOP 2" MIN. FROM CEILING	WAWA
13	TOILET SEAT COVER DISP.			ONE PER STALL - FURNISHED BY WAWA. INSTALLED BY G.C.	HJC
14	18" GRAB BAR	BRADLEY	812-00118	STAINLESS STEEL FINISH. MOUNT BAR VERTICALLY 41" OFF BACK WALL TO CNTR. & 39" FROM FL. TO BOTTOM	HJC
15	WASTE RECEPT.	BOBRICK	B-3644	RECESSED INTO WALL - 4" RECESS REQUIRED. 4" PROTRUDING BIN	HJC
16	SOLID SURFACE PANEL	DUPONT CORIAN	COLOR: COTTAGE LANE	1/2" THICK, 14 3/4" WIDE X 20" HIGH PANEL MOUNTED 6" A.F.F. LOCATED BELOW HAND DRYER. SUPPLIED BY CABINET VENDOR. INSTALLED BY G.C.	CABINET
19	DOOR STOP	HAGER	236W	FOR R.R. ENTRY DOOR. COORDINATE W/ DOOR HARDWARE. SUPPLIED BY DOOR HARDWARE VENDOR.	GC
20	SOLID SURFACE COUNTERTOP	DUPONT CORIAN	COLOR COTTAGE LANE	COUNTERTOP, BACKSPLASH AT WALLS. HIGH GLOSS FINISH	CABINET



1925 Prospect Ave.
Owens Cross, MD 21113
(410) 668-1100
(410) 668-9101
www.ldline.com

4
Chahaci & Peterson
Architects Engineers Planners

WAWA
260 W. BALTIMORE PIKE
WAWA, PA 19063

PROJECT NAME
WAWA U45-FB1-VA-M v2017.01
STORE #8661-STO
Newtown Rd. & Stony Point St.
Newtown, VA

SHEET TITLE
INTERIOR ELEVATIONS

Revision Schedule

No.	Description	Date
1	PERMIT SET	05/11/2018
2	PRE-BID REVIEW SET	01/09/2019
3	BID SET	01/29/2019

PROJECT NO. 217057
DATE 05-11-18
DRAWN Author
CHECKED
DATE 02/05/2019

A10