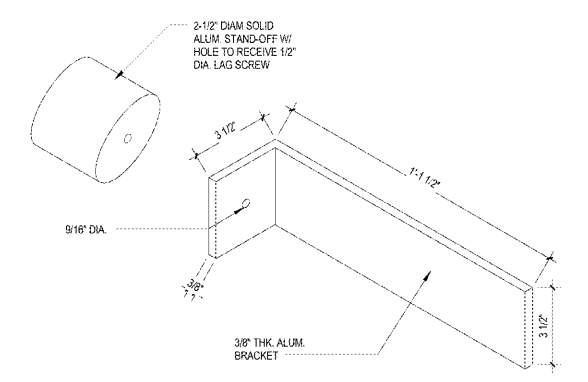
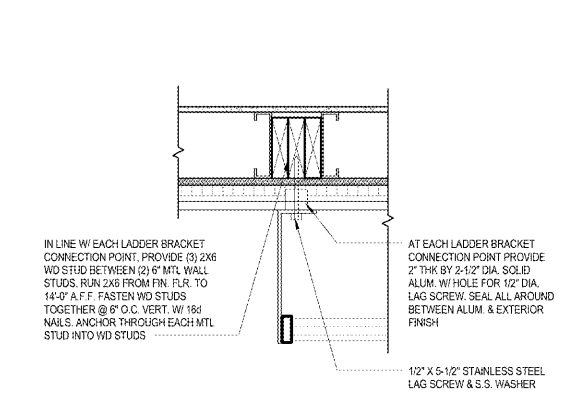


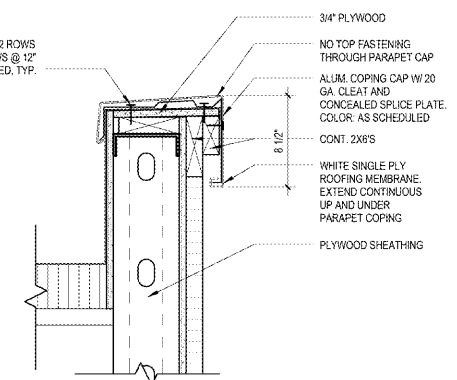
10 LADDER OPENING DETAIL
A8.1 1/2" = 1'-0"



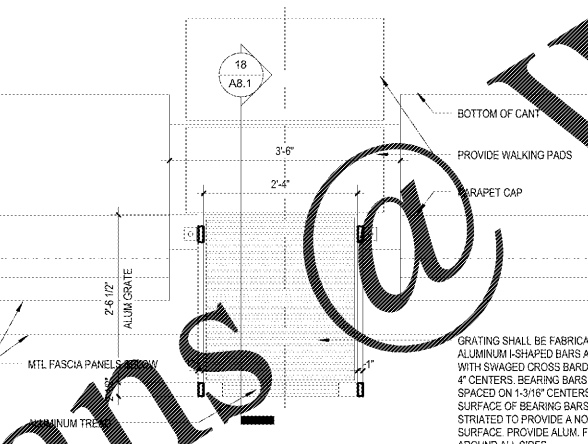
4 BRACKET DETAIL
A8.1 2" = 1'-0"



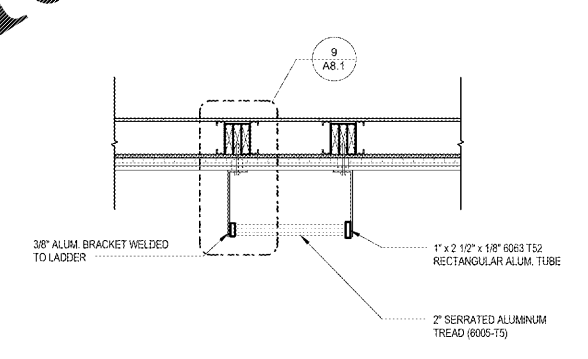
9 WALL BLOCKING DTL
A8.1 1/2" = 1'-0"



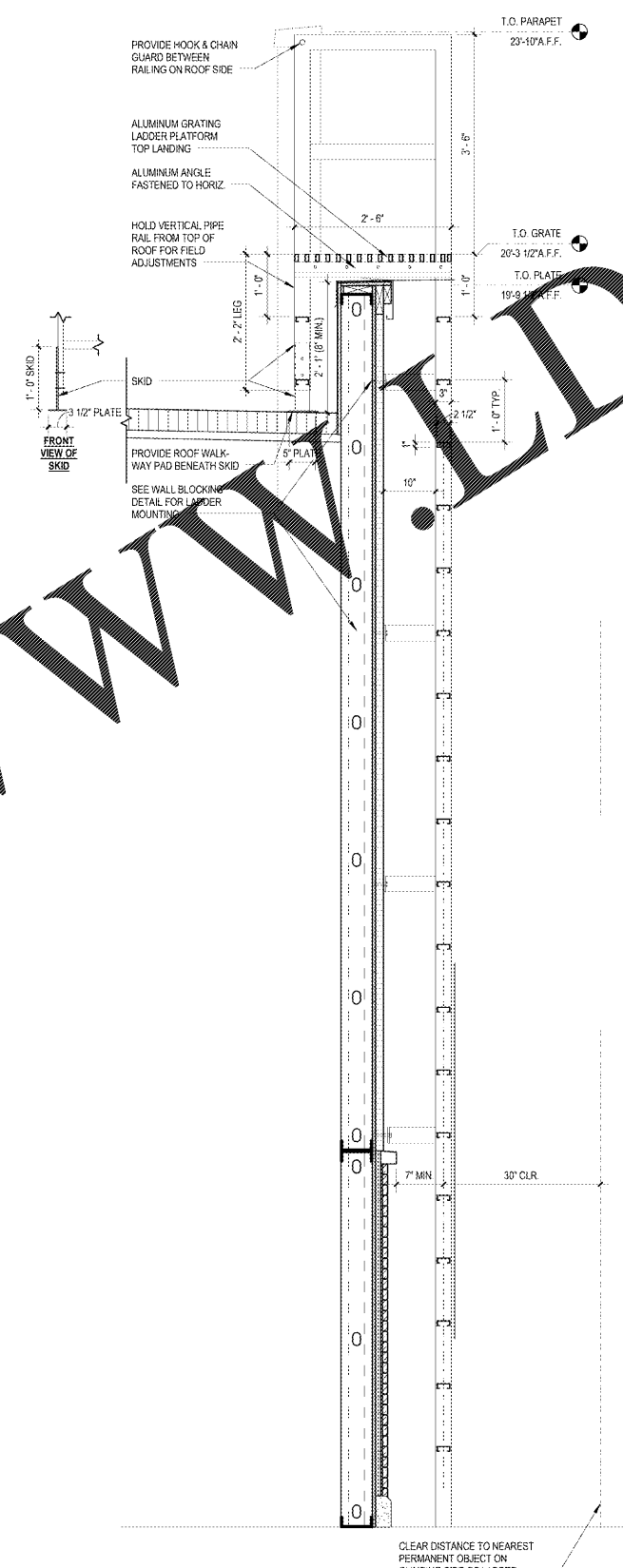
15 PARAPET CAP DETAIL
A8.1 1/2" = 1'-0"



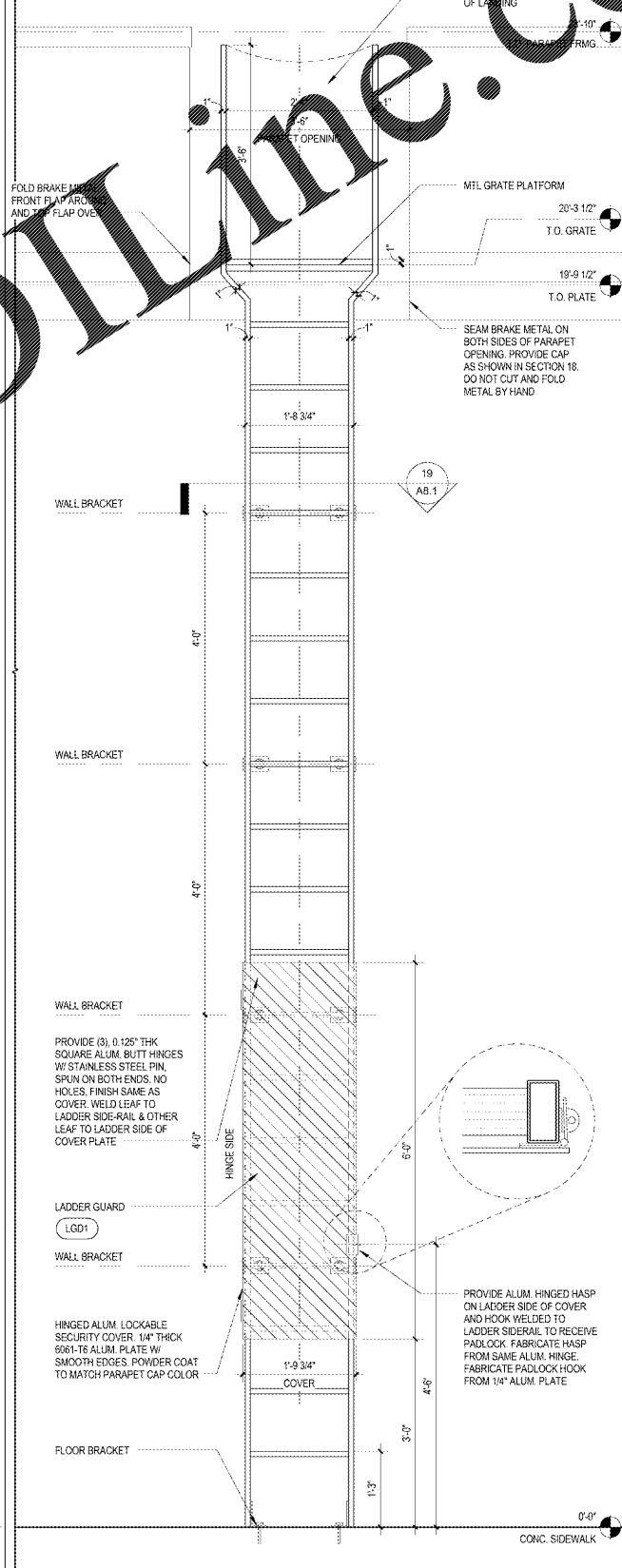
14 LADDER PLATFORM
A8.1 3/4" = 1'-0"



19 PLAN @ LADDER
A8.1 3/4" = 1'-0"



18 FIXED LADDER SECTION
A8.1 3/4" = 1'-0"



17 FIXED LADDER ELEVATION
A8.1 3/4" = 1'-0"

ROOF LADDER GENERAL NOTES

- LADDER SHALL CONFORM TO OSHA (1910.27) AND ANSI A14.3-2008 STANDARDS. FIELD MEASURE AND SUBMIT SHOP DRAWINGS FOR REVIEW & APPROVAL PRIOR TO FABRICATION.
- LADDER RUNGS SHALL BE DESIGNED TO WITHSTAND A CONCENTRATED LOAD OF 300 POUNDS PLUS 30% IMPACT. MAXIMUM RUNG DEFLECTION SHALL NOT EXCEED L/360. THE DESIGN LOAD SHALL BE APPLIED AT THE CENTER OF THE RUNG ON A 4" WIDE AREA.
- LADDER SIDE RAILS SHALL BE DESIGNED TO WITHSTAND A MINIMUM LIVE LOAD OF TWO 300 POUND LOADS PLUS 30% IMPACT CONCENTRATED BETWEEN ANY TWO CONSECUTIVE ATTACHMENTS.
- GRATING SHALL SUPPORT A UNIFORM LOAD OF 200 POUNDS PER SQUARE FOOT WITH A DEFLECTION OF NOT MORE THAN 1/4".
- ALL LADDER COMPONENTS SHALL BE POWDER-COATED, TO MATCH PARAPET CAP COLOR.
- LADDER PROVIDED BY WAWA VENDOR.

Order Plans @ www.wawadirect.com

1925 Prospect Ave.
Oakhurst, VA 22424
(407) 668-1100
(407) 668-9101
www.wawadirect.com

Chalaci & Peterson
Architects Planners

WAWA
260 W. BALTIMORE PIKE
WAWA, VA 19063

PROJECT NAME
WAWA L145-FB-VA-M v2017.01
STORE #8661-STO
Newtown Rd. & Storey Point St.
Norfolk, VA

No.	Description	Date
PERMIT SET		05/11/2018
PRE-BID REVIEW SET		01/09/2019
BID SET		01/29/2019

Revision Schedule	No.	Description	Date
PERMIT SET			05/11/2018
PRE-BID REVIEW SET			01/09/2019
BID SET			01/29/2019

PROJECT NO. 27057
DATE 05-11-18
DRAWN C-P/PHLY
CHECKED
A8.1