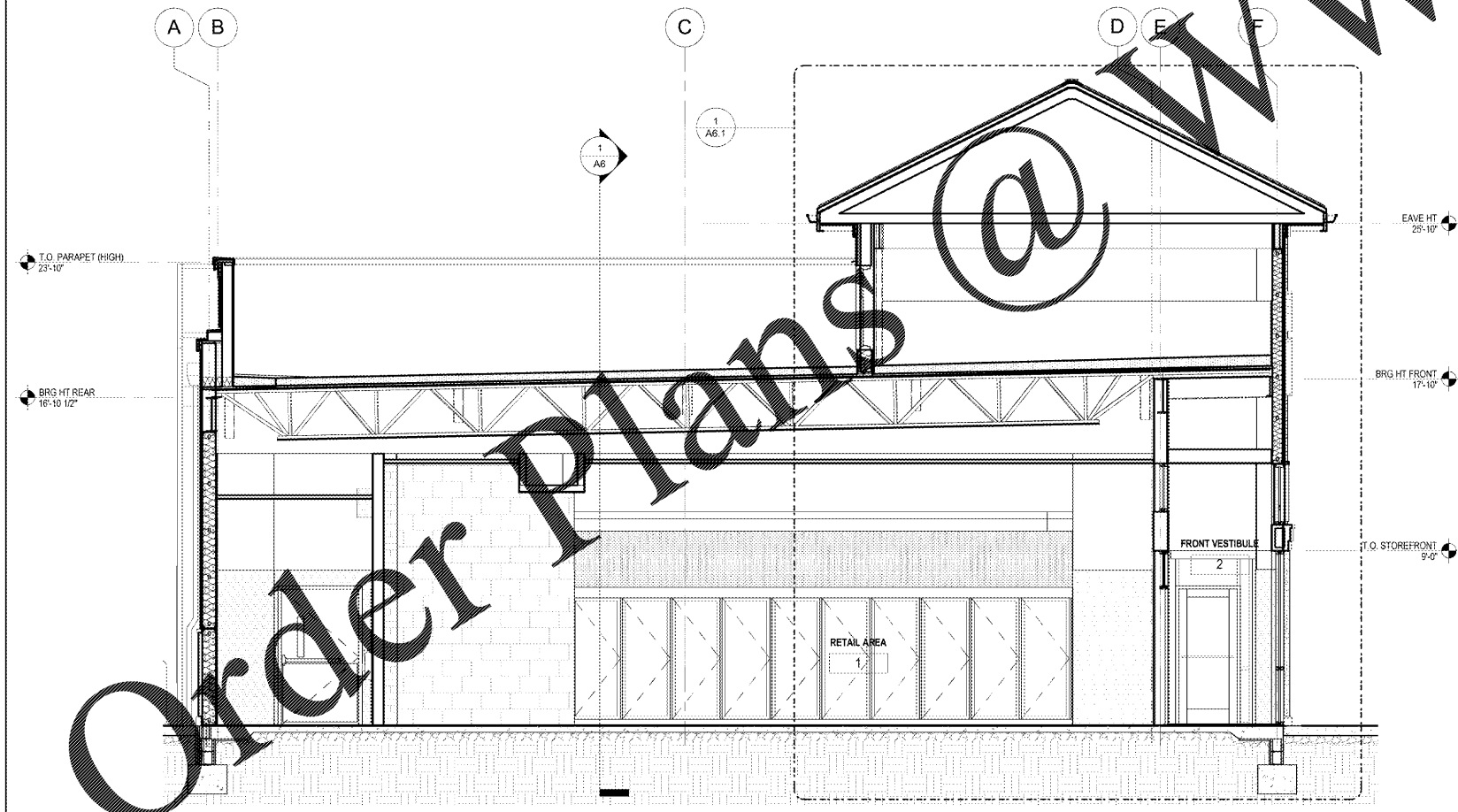
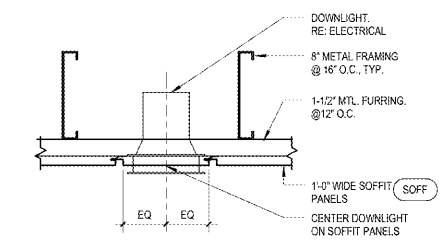


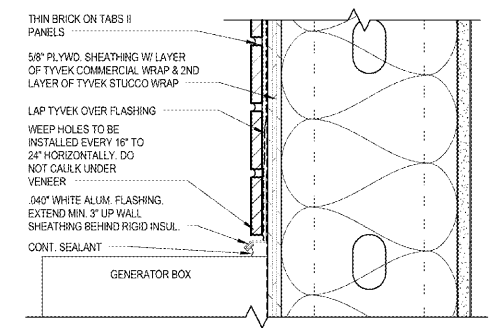
1 BUILDING SECTION-1  
1/8" = 1'-0"



2 BUILDING SECTION - 2  
1/8" = 1'-0"



4 PORCH/ENTRY SOFFIT  
1/8" = 1'-0"



5 DETAIL AT GENERATOR BOX  
3/4" = 1'-0"

1925 Prospect Ave.  
Oxford, MS 32814  
(407) 668-1100  
(407) 668-9101  
www.c-p.com

**Chalaci & Peterson**  
Architects Engineers Planners

PROJECT NAME  
**WAWA**  
260 W. BALTIMORE PIKE  
WAWA, VA 19063

PROJECT NAME  
**WAWA U45-FB1-VA-M v2017.01**  
STORE #8661-STO  
Newtown Rd. & Stony Point St.  
Norfolk, VA

No.	Description	Date
1	PERMIT SET	05/11/2018
2	PRE-BID REVIEW SET	01/09/2019
3	BID SET	01/29/2019

No.	Description	Date
1	PERMIT SET	05/11/2018
2	PRE-BID REVIEW SET	01/09/2019
3	BID SET	01/29/2019

PROJECT NO. 270577  
DATE 05-11-18  
DRAWN BY  
CHECKED  
AUTHOR  
CHECKER

A6

BUILDING SECTIONS