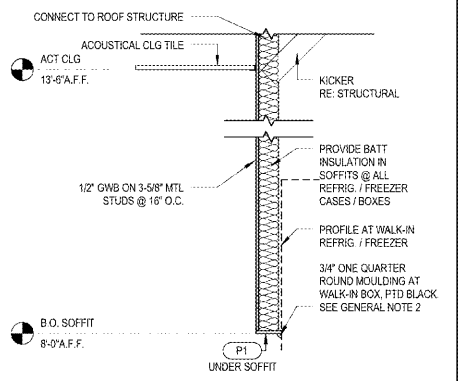


1 REFLECTED CEILING PLAN  
1/4" = 1'-0"



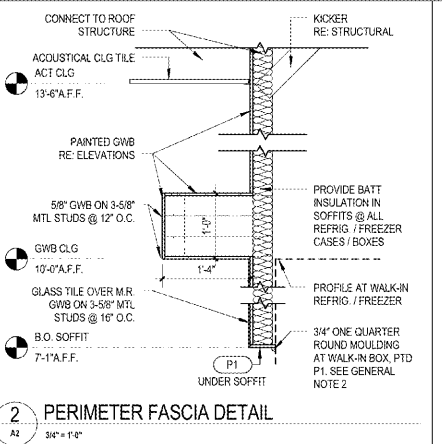
7 PERIMETER FASCIA DETAIL @ BEER COOLER  
3/4" = 1'-0"

**REFLECTED CEILING PLAN LEGEND**

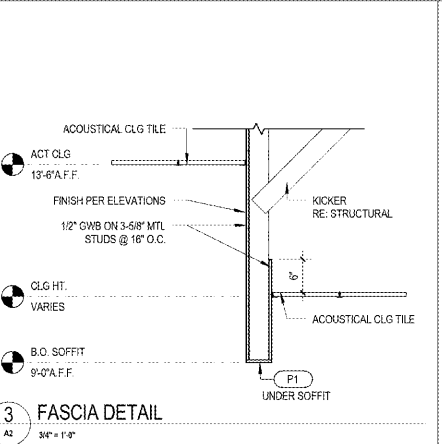
(M)	CEILING MOUNTED MUSIC SPEAKERS
(1-WAY)	1-WAY DIFFUSER
(2-WAY)	2-WAY DIFFUSER - OPPOSITE
(4-WAY)	4-WAY DIFFUSER
(P2)	INTERIOR FINISH TAG - REFER TO FINISH SCHEDULE

**GENERAL NOTES**

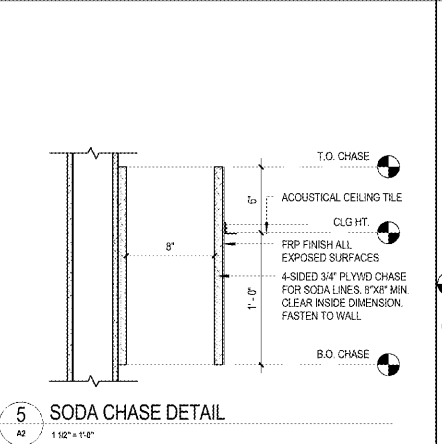
- REFER TO SHEET E2 FOR LIGHTING FIXTURE INFORMATION.
- G.C. TO INSTALL 3/4" CLEAR ROUND MOLDING TO COMPLETELY SEAL THE GAP BETWEEN THE SOFFIT WALL AND WALK-IN REFRIGERATOR. PAINT MOLDING COLOR P1.
- G.C. TO PROVIDE BATT INSULATION TO FILL SOFFIT ALONG AREA IN CONTACT WITH WALK-IN REFRIGERATOR & FREEZER.
- EXPOSED GWB CEILINGS TO BE PAINTED, COLOR WHITE, P2 U.N.O.
- CONSTRUCTION 5" 16-GA. METAL STUDS @ 24" O.C. INSULATED U.N.O.
- REFER TO SHEET "M1" FOR AIR DIFFUSERS AND RETURN AIR GRILLES INFORMATION.
- DO NOT INSTALL ACCESS PANELS IN WALK-IN FREEZERS OR REFRIGERATORS.
- REFER TO INTERIOR FINISH SCHEDULE, SHEET A9 FOR CEILING SPECIFICATIONS.



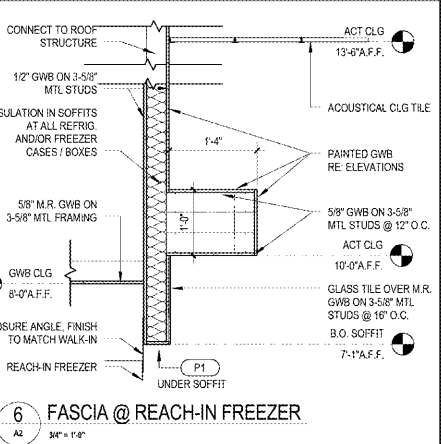
2 PERIMETER FASCIA DETAIL  
3/4" = 1'-0"



3 FASCIA DETAIL  
3/4" = 1'-0"



5 SODA CHASE DETAIL  
1 1/2" = 1'-0"



6 FASCIA @ REACH-IN FREEZER  
3/4" = 1'-0"

1925 Prospect Ave.  
Oxandale, MD 21117  
(410) 668-1100  
(410) 668-9101  
www.d-line.com

**4**  
**Chahaci & Peterson**  
Architects Engineers Planners

**WAWA**  
260 W BALTIMORE PIKE  
WAWA, PA 19063

PROJECT NAME  
**WAWA U45-FBI-VA-M v2017.01**  
STORE #8661-STO  
Newtown Rd. & Stony Point St.  
Norfolk, VA

PERMIT SET 05/11/2018  
PRE-BID REVIEW SET 01/09/2019  
BID SET 01/29/2019

Revision Schedule	No.	Description	Date
PERMIT SET	05/11/2018		
PRE-BID REVIEW SET	01/09/2019		
BID SET	01/29/2019		

PROJECT NO. 270577  
DATE 05-11-18  
DRAWN XX  
CHECKED SS

REFLECTED CEILING PLAN

A2