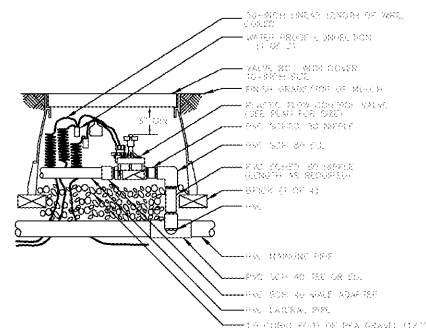
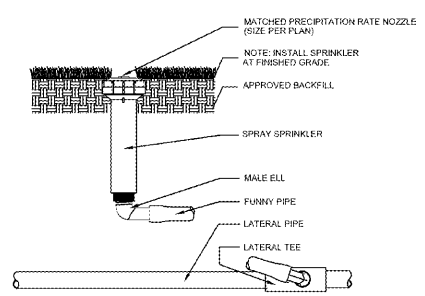


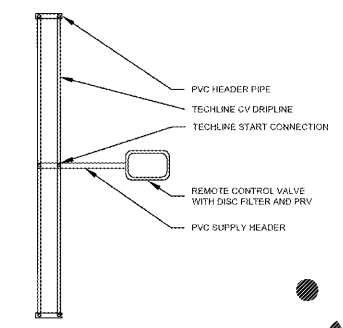
1 WALL-MOUNT CONTROLLER
 SCALE: NOT TO SCALE



2 ELECTRIC VALVE
 SCALE: NOT TO SCALE



3 4" TURF SPRINKLER
 SCALE: NOT TO SCALE



4 TECHLINE LAYOUT
 SCALE: NTS

IRRIGATION NOTES

- 1) CONTRACTOR WILL COORDINATE INSTALLATION OF IRRIGATION WITH OTHER TRADES.
- 2) NO CHANGES WILL BE PERMITTED TO IRRIGATION PLAN WITHOUT IRRIGATION DESIGNER'S PRIOR APPROVAL.
- 3) IRRIGATION CONTRACTOR RESPONSIBLE FOR POWER CONNECTION TO THE CONTROLLER. POWER TO BREAKER BY OTHERS.
- 4) ALL IRRIGATION CONTROL WIRE TO BE 14/1 RED. ALL COMMON WIRE TO BE 14/1 WHITE. RUN FIVE EXTRA 14/1 BLUE WIRES FROM CONTROLLER ALONG MAINLINE FOR FUTURE EXPANSION.
- 5) ALL WIRE TO HAVE EXPANSION COILS EVERY 100'. ALL WIRE TO BE NUMBERED IN CONTROLLER, AT VALVE, AND IN ALL SPLICE BOXES WITH WRAP-A-ROUND NUMBERS.
- 6) ALL UNDERGROUND WIRE SPLICES TO BE 3M DBY/DBR'S IN 10" PLASTIC BOXES. ANY OTHER CONNECTORS WILL BE REJECTED.
- 7) ALL VALVES TO BE HOUSED IN 10" PLASTIC VALVE BOXES OR MANIFOLDED IN LARGER BOXES TO SIZE REQUIRED.
- 8) ALL VALVES TO BE INSTALLED IN MULCH AREAS WITH BROWN TOP BOXES WHEN POSSIBLE.
- 9) IRRIGATION CONTRACTOR TO INSTALL HEADS 2' OFF OF CURB WHERE DELIVERY TRUCKS MAY DRIVE OVER CURB AND NEAR PARKING SPACES.
- 10) CONTRACTOR WILL PROVIDE AN AS-BUILT DRAWING AND LAMINATED 11" X 17" CONTROLLER CHART LABELED BY ZONE AS PART OF CONTRACT. DRAWING TO SHOW ZONES IN COLOR AND BACKGROUND TO BE SHADED.
- 11) WATER PRESSURE MUST BE 65 PSI OR THE ADDITION OF A BOOSTER PUMP MAY BE REQUIRED.
- 12) INCLUDE RAINBIRD WIRELESS RAIN SENSOR ATTACHED TO ROOF TOP AND CONTROLLER.
- 13) IF BEDLINES BETWEEN TURF AND SHRUBS CHANGE, IT IS THE CONTRACTOR'S RESPONSIBILITY TO MAKE CHANGES TO PROPERLY SEPARATE THE TURF AND SHRUB AREAS.

BOOSTER PUMP NOTES (IF NEEDED):

- 1) INCLUDE A STA-RITE JHD 3/4" 230 VOLT BOOSTER PUMP IF PRESSURE IS INADEQUATE. SEE WAWA APPROVAL BEFORE INSTALL.
- 2) INCLUDE A PUMP START RELAY WITH WIRE CONNECTED TO THE IRRIGATION CONTROLLER PUMP START OUTPUT.
- 3) INSTALL 12" COPPER OR GALVANIZED PIPE TO THE INLET AND OUTLET OF THE BOOSTER PUMP TO DISSIPATE HEAT.
- 4) USE ALL SCHEDULE 40 PVC ABOVE GROUND FOR PUMPING.
- 5) BOOSTER PUMP SHALL BE PROPERLY ANCHORED SO THAT THE PUMP DOES NOT MOVE OR VIBRATE.
- 6) INSURE THAT THE DRIP ZONES IN THE CONTROLLER DO NOT ACTIVATE THE BOOSTER PUMP. ONLY ACTIVATE THE BOOSTER PUMP ON ZONES ABOVE 5 GPM.
- 7) FOLLOW MANUFACTURERS INSTALLATION INSTRUCTIONS AND RECOMMENDATIONS FOR PUMP INSTALLATION.

WAWA STORE
 NEWTOWN & STONEY POINT
 CITY OF NORFOLK, VA

IRRIGATION DRAWING
 OVERALL PLAN

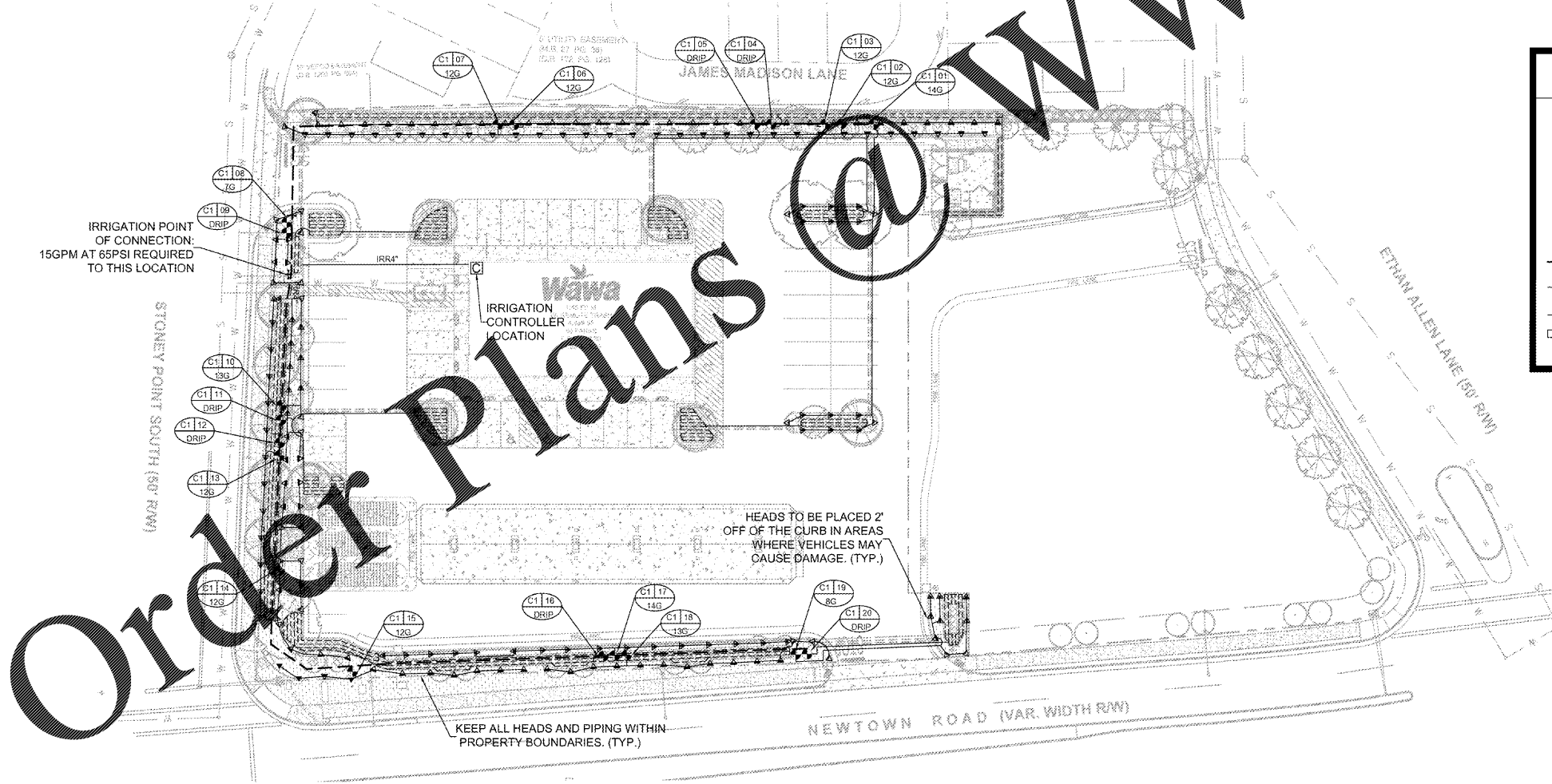
REVISIONS:

#	DATE	DESCRIPTION:

DATE: 10/16/18
 DRAWN BY: KR
 CHECKED BY: BR
 SCALE: 1"=30'

SHEET: 1 OF 1
IR1.0

CONSTRUCTION
 DOCUMENTS



IRRIGATION LEGEND

- RAINBIRD ESP-LXME 20 STATION CONTROLLER
- RAINBIRD 1" PGA ELECTRIC VALVE FOR FLOWS UP TO 20 GPM
- LINE SIZED ISOLATION VALVE
- RAINBIRD 1804 SPRAY HEAD W/ 10', 12' & 15' PRECISION NOZZLES
- RAINBIRD 1804 SPRAY HEAD W/ 12 SST NOZZLE
- 1.5" PVC CLASS 200 MAINLINE
- 1" PVC CLASS 200 LATERALS
- ONE 4" PVC SCHEDULE 40 SLEEVE
- NETAFIM CV TECHLINE W/ 12" SPACING OF .6 GPH EMITTERS

Order Plans